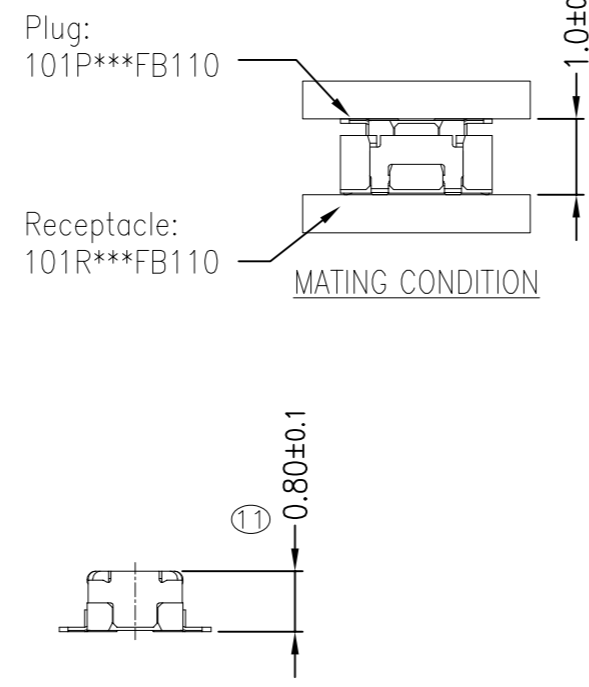
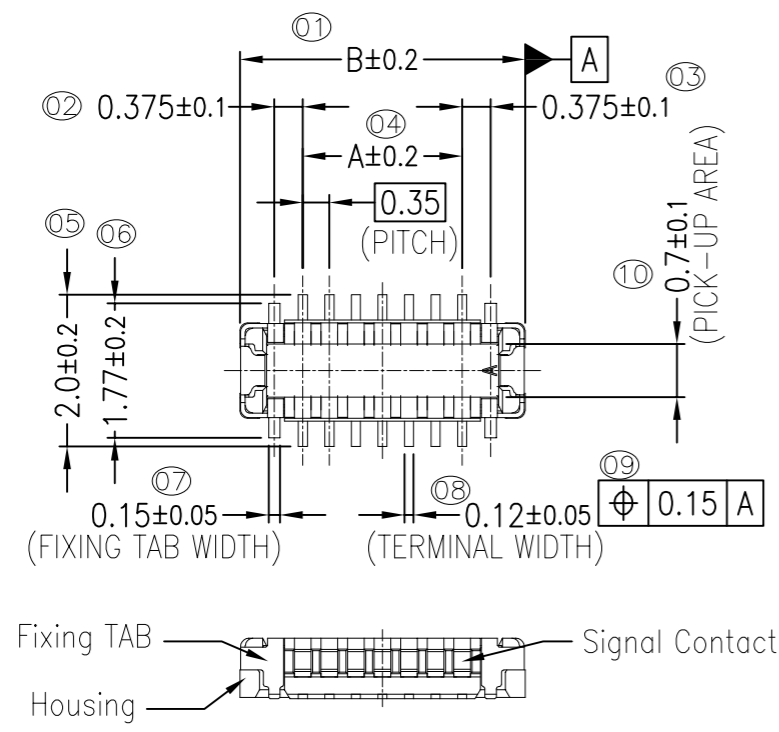


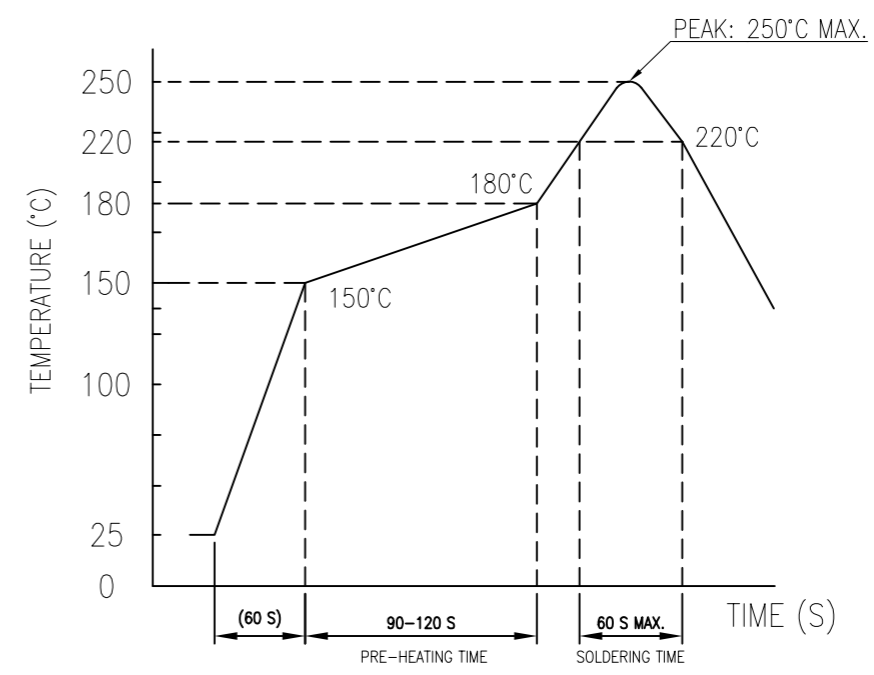
This document is the property of and embodies CONFIDENTIAL and PROPRIETARY information of AOR. No part of the information shown on this document may be used in any way or disclosed to others without the written consent of AOR. © 2019 AOR



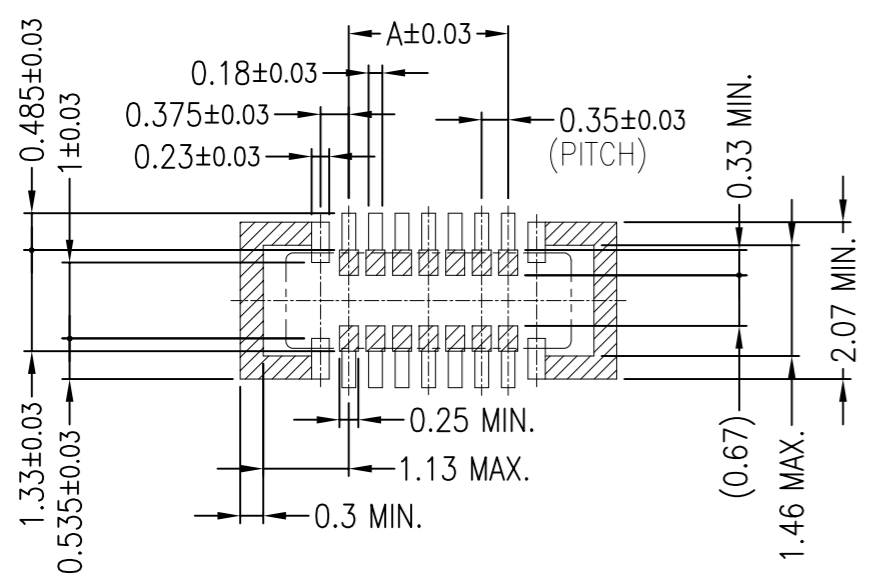
REV.	ECR/ECN No.	DESCRIPTION	DRAWN/DATE	CHECKED/DATE	APPROVED/DATE
X1		NEW RELEASE	Hanson 07/24/'19	Sam 07/24/'19	Leo 07/24/'19



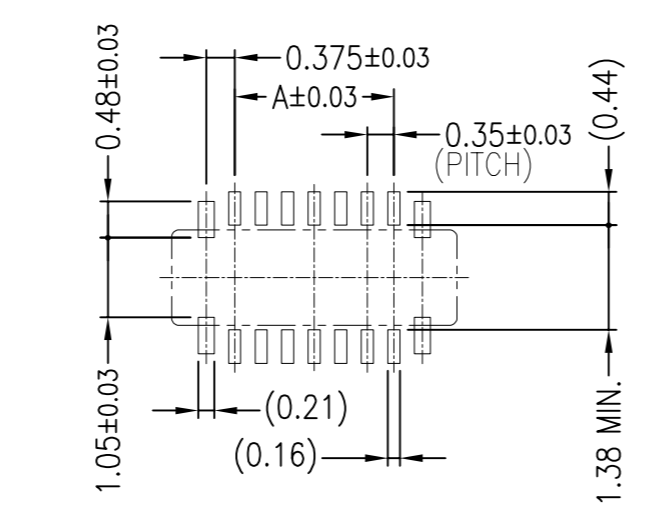
8. RECOMMENDED REFLOW TEMPERATURE PROFILE USING LEAD-FREE SOLDER PASTE.



- NOTE
- MATERIALS
HOUSING : LCP UL94-V0 (COLOR BLACK)
SIGNAL CONTACT : COPPER ALLOY
FIXING TAB : COPPER ALLOY
 - PLATING
SIGNAL CONTACT : Au FLASH OVER Ni UNDER PLATING (Ni BARRIER, LUBRICANT)
FIXING TAB : Au FLASH OVER Ni UNDER PLATING (ONLY CONTACT AND TAIL AREA)
 - MATE WITH: 101R***FB110
 - CO-PLANARITY FOR SIGNAL CONTACT TERMINALS AND FIXING TAB MUST BE 0.08mm MAX.
 - THIS PRODUCT MEETS RoHS AND SONY SS-00259.
 - THE HOUSING WILL WITHSTAND EXPOSURE TO 260°C PEAK TEMPERATURE FOR 10SECONDS IN A REFLOW SOLDERING OVEN.
 - THE DOCUMENT MAY BE CHANGED WITHOUT PRIOR NOTICE.



RECOMMENDED P.W.B. PATTERN LAYOUT
HATCHING AREA : PATTERN AND SOLDER PROHIBITED AREA



RECOMMENDED STENCIL MASK LAYOUT
RECOMMENDED STENCIL THICKNESS : T=0.08MM
RECOMMENDED STENCIL OPENING RATIO : 80%.

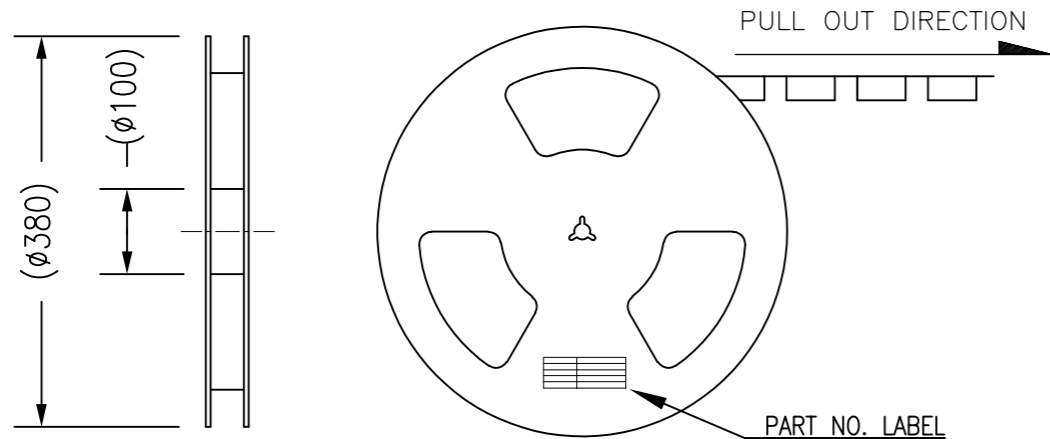
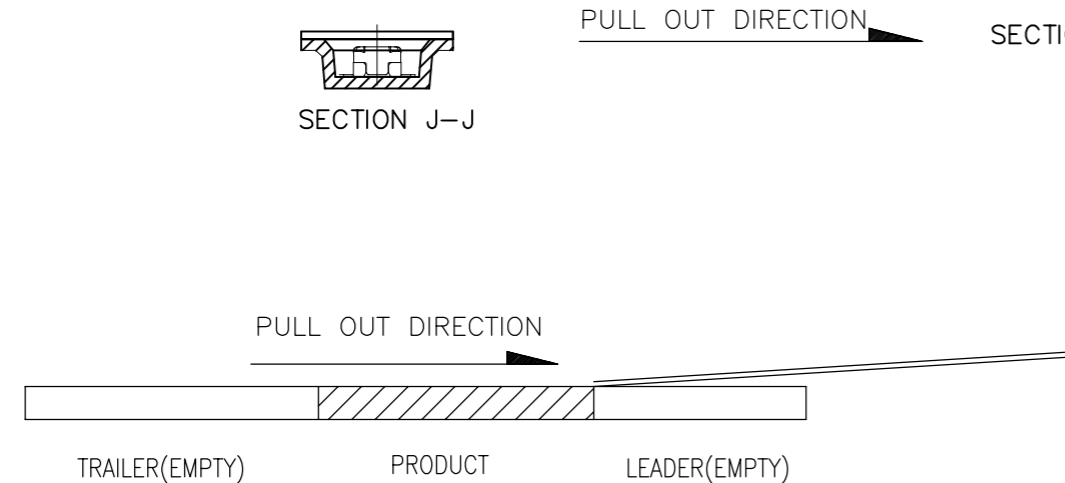
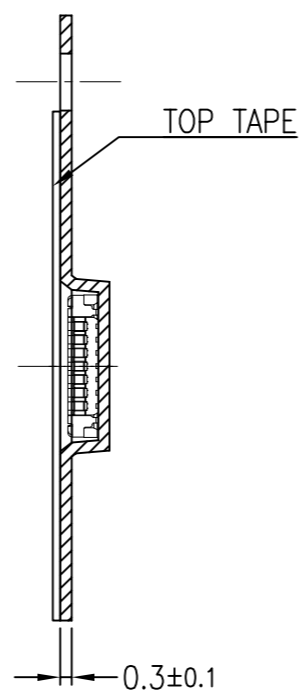
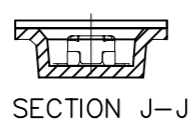
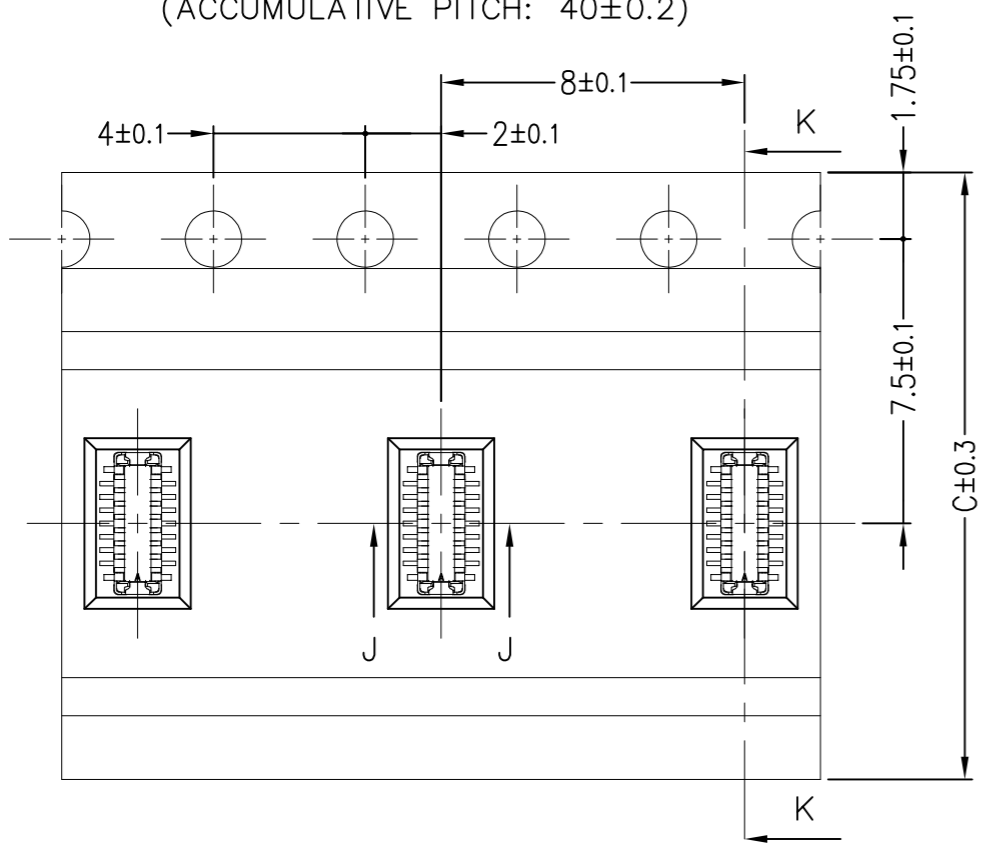
16	4.81	3.15	101P020FB110	20 pin
16	3.76	2.10	101P014FB110	14 pin
16	3.41	1.75	101P012FB110	12 pin
16	3.06	1.40	101P010FB110	10 pin
16	2.36	0.70	101P006FB110	6 pin
C	B	A	Part Number	Pos.

UNLESS OTHERWISE SPECIFIED TOLERANCES		ANGLE OF PROJECTION		Amphenol AORORA	
X.	±0.30	X. °	± 3'	Amphenol Aorora Technology (Huizhou) Co.,Ltd	
X.X	±0.25	X.X °	± 2'		
X.XX	±0.20	X.XX °	± 1'		
X.XXX	±0.15	X.XXX °	± 1'		
LINEAR DIMS		ANGLES DIMS		DOC TYP Customer Drw	
DWG NO.: A-S0550		DRAWN DATE Hanson 2019-07-24		TITLE: Customer Drawing For 0.35mm Pitch SH=1.0mm BTB Connector 101 Series Plug Assembly	
MATERIAL SEE NOTES		DESIGN DATE Sam 2019-07-24		SIZE PART NUMBER: A3 101P014FB110	
FINISHED SEE NOTES		CHECKED DATE Sam 2019-07-24		REV. X1	
		APPROVED DATE Leo 2019-07-24		SCALE 10:1 UNIT : mm SHEET 1 OF 2	

This document is the property of and embodies CONFIDENTIAL and PROPRIETARY information of AOR. No part of the information shown on this document may be used in any way or disclosed to others without the written consent of AOR. © 2019 AOR

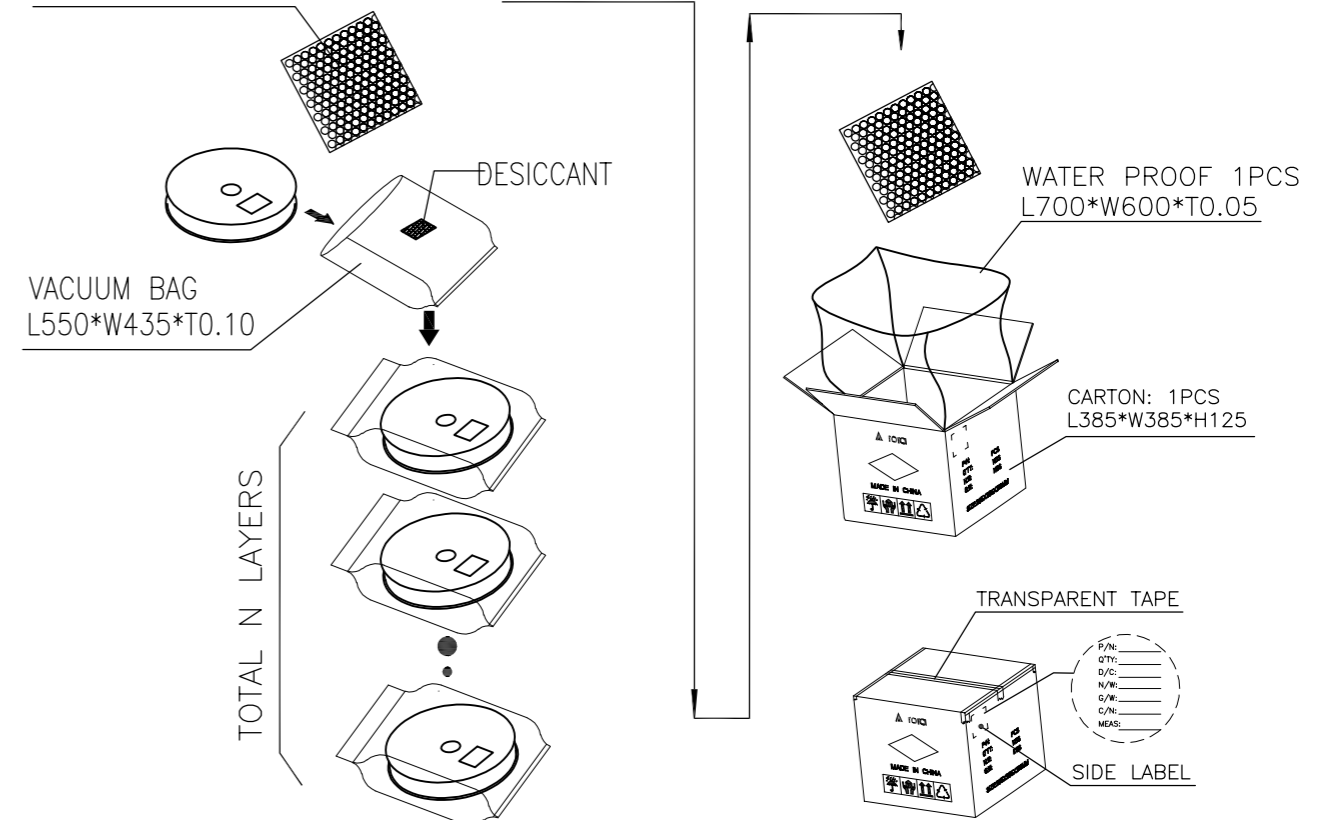


(ACCUMULATIVE PITCH: 40±0.2)



REV.	ECR/ECN No.	DESCRIPTION	DRAWN/DATE	CHECKED/DATE	APPROVED/DATE
X1		NEW RELEASE	Hanson 07/24/'19	Sam 07/24/'19	Leo 07/24/'19

AIR CAP: 2PCS
380mm*380mm



- NOTES:
1.MATERIAL:
1.1 CARRIER TAPE: HIPS, T=0.3, CLEAR;
1.2 REEL: HIPS BLUE;
1.3 SHIM: PE, CLEAR;
2. PRIMARY PACKING: 8000PCS/REEL;
3. SECONDARY PACKING: "5" REELS/CARTON;
("40000"=5*15000/CARTON)
4. PEELING FORCE: 0.1N~0.7N (10~70gf);
PEELING ANGLE: 165°~180°;
PEELING SPEED: 300mm/minutes.

UNLESS OTHERWISE SPECIFIED TOLERANCES		ANGLE OF PROJECTION		Amphenol AORORA Amphenol Aorora Technology (Huizhou) Co.,Ltd	
X.	±0.30	X. °	± 5'	DOC TYP: Emboss Package TITLE: Customer Drawing For 0.35mm Pitch SH=1.0mm BTB Connector 101 Series Plug Assembly SIZE: A3 PART NUMBER: 101P014FB110 REV. X1 SCALE: 1:1 UNIT: mm SHEET 2 OF 2	
X.X	±0.25	X.X °	± 4'		
X.XX	±0.20	X.XX °	± 3'		
X.XXX	±0.15	X.XXX °	± 2'		
LINEAR DIMS		ANGLES DIMS		DRAWN DATE	Hanson 2019-07-24
DWG NO.: A-S0550				DESIGN DATE	Sam 2019-07-24
MATERIAL: SEE NOTES				CHECKED DATE	Sam 2019-07-24
FINISHED: SEE NOTES				APPROVED DATE	Leo 2019-07-24