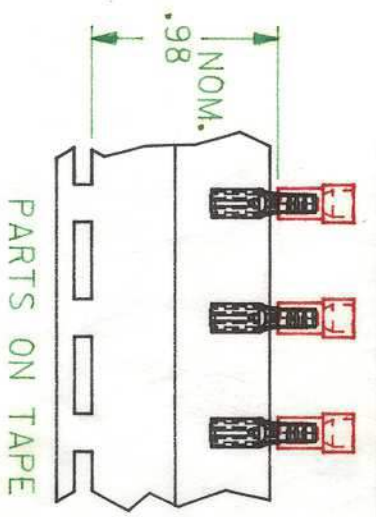
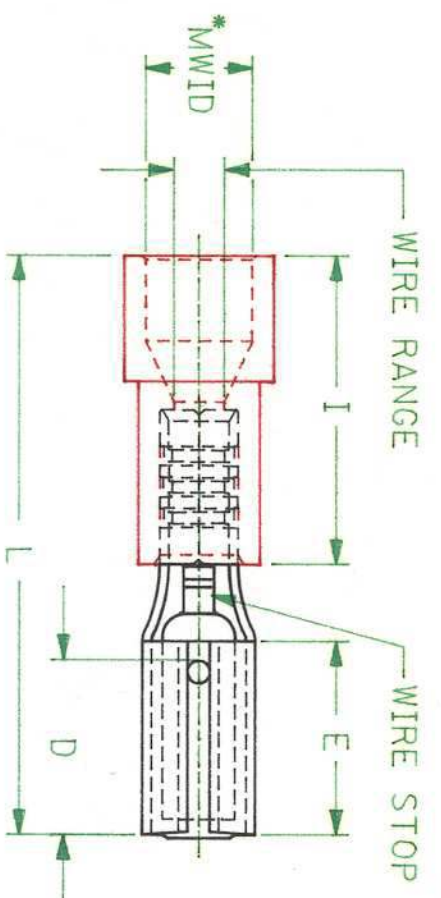


DRWG. NO. CD-2903



MATERIAL: BRASS
FINISH: ELECTRO-TIN PLATING
INSULATION: PVC

*MWID=MAXIMUM WIRE INSULATION DIAMETER

PART NUMBERS ARE FOR LOOSE PIECE TO ORDER PARTS ON TAPE ADD A "T" TO END OF PART NUMBER

PART NUMBER	INS. COLOR	WIRE RANGE AWG	WIRE RANGE MM ²	FITS MALE TAB SIZE	STOCK THICK.	"L" MAX.	"T" MAX.	"W" MAX.	"D" ±.01	"H" ±.01	"E" NOM.	MWID
AA-2134	RED	22-18	0.25-1.3	.110X.032	.012	.78	.41	.16	.210	.08	.25	.13
BB-2135	BLUE	16-14	1.0-2.6	.110X.032	.012	.78	.41	.16	.210	.08	.25	.14
AA-2131	RED	22-18	0.25-1.3	.110X.020	.012	.78	.41	.16	.210	.07	.25	.13
BB-2132	BLUE	16-14	1.0-2.6	.110X.020	.012	.78	.41	.16	.210	.07	.25	.14

REVISIONS
REVISE ONLY ON CAD SYSTEM

INSULKRIMP
QUICK DISCONNECTS

CUSTOMER DRAWING

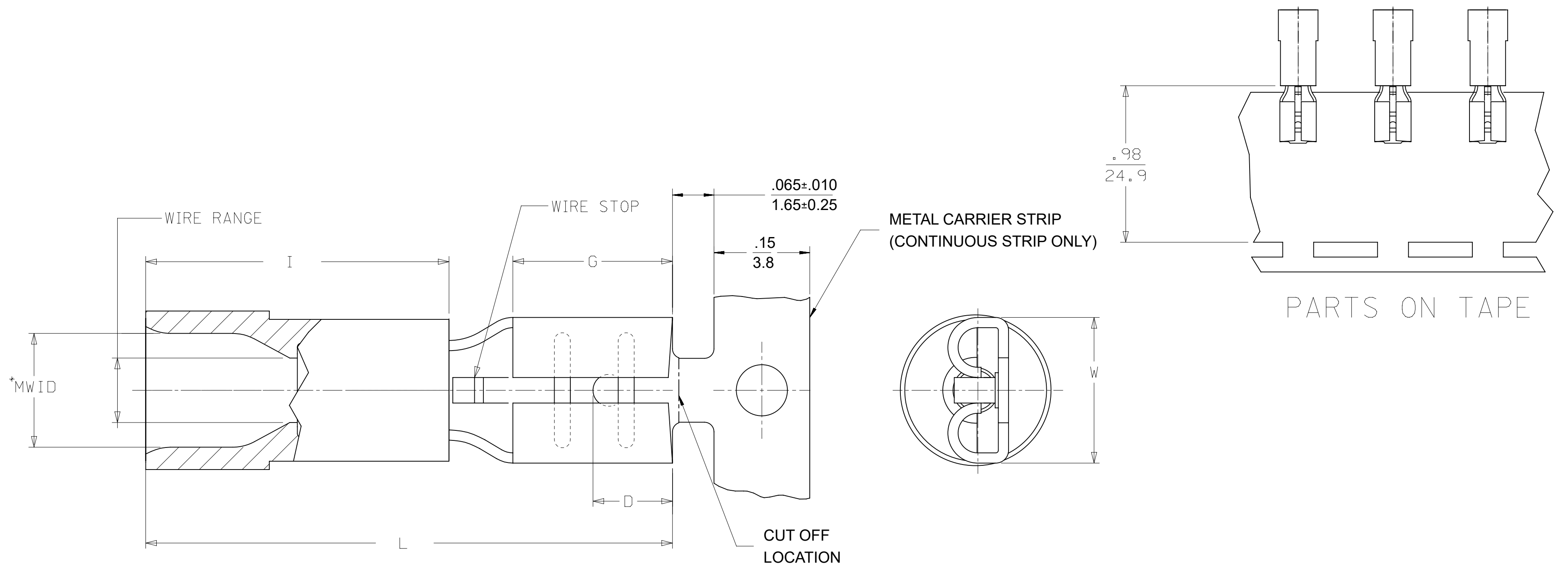
DRWG. BY RCM
CHK'D. BY
APP'D. BY
SCALE NO:NE

ETC INC.
PINELLAS PARK, FLA. 34665 U.S.A.
PART NO. SEE TABLE
FILE NAME CD2903

DRWG. NO. CD-2903
SHEET NO.
DATE 11/27/90
DIV. A

THIS DRAWING CONTAINS INFORMATION THAT IS PROPRIETARY TO MOLEX-ETC INC. AND SHOULD NOT BE USED WITHOUT WRITTEN PERMISSION.

LOOSE PIECE		TAPE MOUNTED		CONTINUOUS STRIP		SPECIFICATIONS										
MATERIAL NUMBER	ENGINEERING NUMBER	MATERIAL NUMBER	ENGINEERING NUMBER	MATERIAL NUMBER	ENGINEERING NUMBER	INS. COLOR	WIRE RANGE AWG	MM ²	FITS MALE TAB SIZE	STOCK THICKNESS	"L" MAX.	"I" MAX.	"W" MAX.	"D" ±.01	"G" NOM.	MWID
190170014	AA-2140	190170017	AA-2140T	190170022	AAZ-2140	RED	22-18	0.25-1.5	.250x.032/6.35x0.81	.016/0.41	.865/21.97	.42/10.7	.31/7.9	.156/3.96	.31/7.9	.13/3.3
190170037	BB-2141	190170041	BB-2141T	190170074	BBZ-2141	BLUE	16-14	1.0-2.5	.250x.032/6.35x0.81	.016/0.41	.865/21.97	.42/10.7	.31/7.9	.156/3.96	.31/7.9	.14/3.6
190170047	C-2143	190170050	C-2143T	-	-	YELLOW	12-10	4.0-6.0	.250x.032/6.35x0.81	.018/0.46	1.011/25.68	.56/14.2	.31/7.9	.156/3.96	.31/7.9	.24/6.1
190170007	AA-2137	190170012	AA-2137T	190170068	AAZ-2137	RED	22-18	0.25-1.5	.187x.020/4.75x0.51	.016/0.41	.789/20.04	.42/10.7	.25/6.4	.125/3.18	.25/6.4	.13/3.3
190170031	BB-2138	190170035	BB-2138T	190170072	BBZ-2138	BLUE	16-14	1.0-2.5	.187x.020/4.75x0.51	.016/0.41	.789/20.04	.42/10.7	.25/6.4	.125/3.18	.25/6.4	.14/3.6
190170008	AA-2137-032	190170009	AA-2137-032T	190170069	AAZ-2137-032	BRIGHT RED (A)	22-18	0.25-1.5	.187x.032/4.75x0.81	.016/0.41	.789/20.04	.42/10.7	.25/6.4	.125/3.18	.25/6.4	.13/3.3
190170032	BB-2138-032	-	-	190170073	BBZ-2138-032	BRIGHT BLUE (A)	16-14	1.0-2.5	.187x.032/4.75x0.81	.016/0.41	.789/20.04	.42/10.7	.25/6.4	.125/3.18	.25/6.4	.14/3.6
190170001	AA-2131	190170004	AA-2131T	190170066	AAZ-2131	RED	22-18	0.25-1.5	.110x.020/2.80x0.51	.012/0.30	.789/20.04	.42/10.7	.17/4.3	.210/5.33	.25/6.4	.13/3.3
190170023	BB-2132	-	-	-	-	BLUE	16-14	1.0-2.5	.110x.020/2.80x0.51	.012/0.30	.789/20.04	.42/10.7	.17/4.3	.210/5.33	.25/6.4	.14/3.6
190170005	AA-2134	190170006	AA-2134T	-	-	BRIGHT RED (A)	22-18	0.25-1.5	.110x.032/2.80x0.81	.012/0.30	.789/20.04	.42/10.7	.17/4.3	.210/5.33	.25/6.4	.13/3.3
190170028	BB-2135	-	-	190170071	BBZ-2135	BRIGHT BLUE (A)	16-14	1.0-2.5	.110x.032/2.80x0.81	.012/0.30	.789/20.04	.42/10.7	.17/4.3	.210/5.33	.25/6.4	.14/3.6
190170018	AA-2190	190170003	AA-2190T	-	-	RED	22-18	0.25-1.5	.205x.020/5.21x0.51	.016/0.41	.789/20.04	.42/10.7	.26/6.6	.125/3.18	.25/6.4	.13/3.3
190170043	BB-2191	190170046	BB-2191T	-	-	BLUE	16-14	1.0-2.5	.205x.020/5.21x0.51	.016/0.41	.789/20.04	.42/10.7	.26/6.6	.125/3.18	.25/6.4	.14/3.6
190170019	AA-2190-032	-	-	-	-	BRIGHT RED (A)	22-18	0.25-1.5	.205x.032/5.21x0.81	.016/0.41	.789/20.04	.42/10.7	.26/6.6	.125/3.18	.25/6.4	.13/3.3
190170044	BB-2191-032	190170016	BB-2191-032T	-	-	BRIGHT BLUE (A)	16-14	1.0-2.5	.205x.032/5.21x0.81	.016/0.41	.789/20.04	.42/10.7	.26/6.6	.125/3.18	.25/6.4	.14/3.6



- NOTES:
1. MATERIAL: BRASS TERMINAL
 2. FINISH: ELECTRO-TIN PLATING
 3. INSULATION: MOLDED PVC
 - 4.*MWID=MAXIMUM WIRE INSULATION DIAMETER
 5. PARTS ARE ROHS COMPLIANT.

THIS DRAWING CONTAINS INFORMATION THAT IS PROPRIETARY TO MOLEX ELECTRONIC TECHNOLOGIES, LLC AND SHOULD NOT BE USED WITHOUT WRITTEN PERMISSION									
DIMENSION UNITS		SCALE		CURRENT REV DESC: OBSOLETE PART NUMBERS AS PER PCN#508521					
INCH/MM		NTS		<p>molex</p> <p>QUICK DISCONNECT PARTIALLY INSULATED INSULKRIMP</p> <p>PRODUCT CUSTOMER DRAWING</p> <p>DOCUMENT NUMBER: SD-19017-003 DOC TYPE: PSD DOC PART: 001 REVISION: B</p>					
GENERAL TOLERANCES (UNLESS SPECIFIED)									
		MM	INCH						
4 PLACES	±		±						
3 PLACES	±	0.005	±						
2 PLACES	±	0.13	± 0.01						
1 PLACE	±	0.25	± 0.02						
0 PLACES	±		±						
ANGULAR TOL		± °		EC NO: 667388		2021/04/15			
DRAFT WHERE APPLICABLE MUST REMAIN WITHIN DIMENSIONS		THIRD ANGLE PROJECTION		DRAWING		SERIES		MATERIAL NUMBER	
				C-SIZE		19017		CUSTOMER	
								GENERAL MARKET	
								SHEET NUMBER	
								1 OF 1	