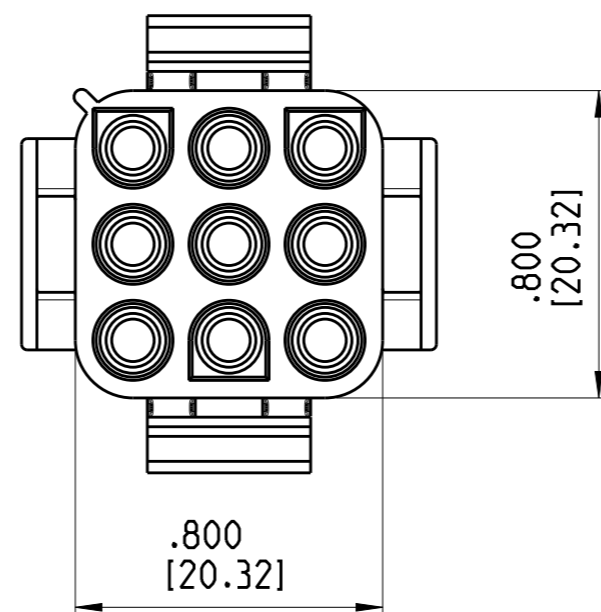
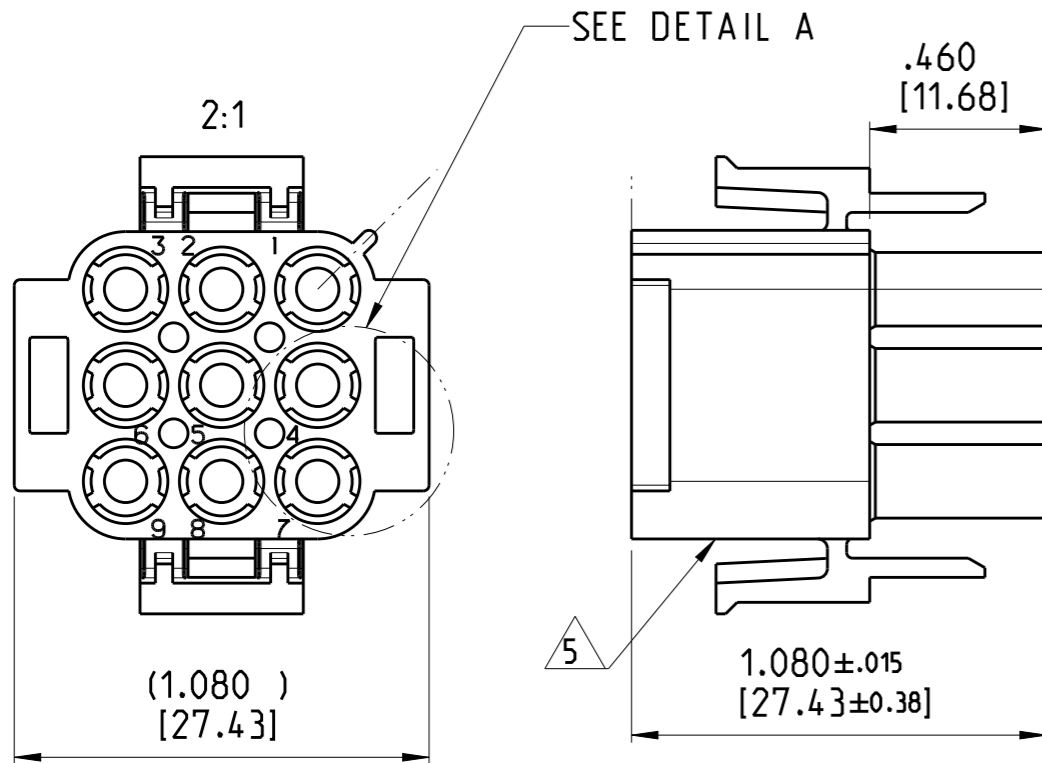
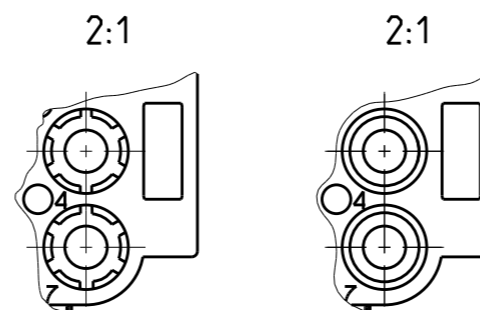
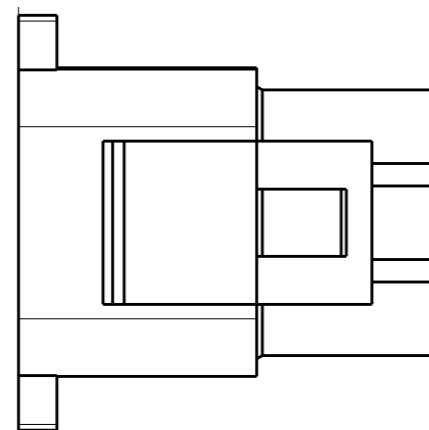


THIS DRAWING IS UNPUBLISHED
 RELEASED FOR PUBLICATION 2009
 ALL RIGHTS RESERVED.

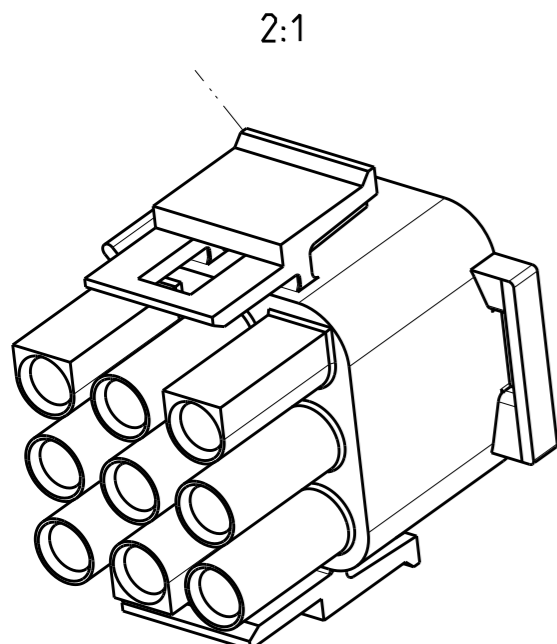
LOC	DIST	REVISIONS					
IR	-	P	LTR	DESCRIPTION	DATE	DWN	APVD
			A5	REVISED PER ECR-17-014951	16OCT2017	BDA	KR



- MATES WITH APPROPRIATE UNIVERSAL MATE-N-LOCK CAP OR HEADER
- SMALL NICKS ARE PERMITTED ON THE CIRCUIT TOWERS WHICH COULD INCREASE THE INITIAL HOUSING MATING FORCE BY UPTO 4.4N [1.0 LBS]. NO INDIVIDUAL NICKED TOWER SHALL INCREASE THIS FORCE BY OVER 2.2N [.5LBS]
- DIMENSIONS SHOWN REPRESENT PRODUCT IN DRY, AS MOLDED, CONDITION. ADDITIONAL 2% GROWTH DUE TO SUBSEQUENT MOISTURE ABSORPTION MAY OCCUR AND SHOULD BE ACCOUNTED FOR.
- FOUR RIBS EQUALLY SPACED. NO SPECIFIC ORIENTATION. NO RIBS OR SIX RIBS EQUALLY SPACED. NO SPECIFIC ORIENTATION. OPTIONAL
- UNDERWRITERS RECOGNIZED COMPONENT LOGO AND CSA CERTIFICATION LOGO TO BE LOCATED ONCE ON EACH SIDE OF HOUSING
- NYLON, UL94V-2
- MATERIAL CORRESPONDING TO THE REQUIREMENTS OF IEC 60335 (INCL. GLOW WIRE TEST 750°C WITHOUT FLAME)
- PRELIMARY PART NOT RELEASED FOR PRODUCTION



DETAIL A
 OPTIONAL CONSTRUCTION



REMARK	COLOUR	MATERIAL	PART No	SL No
7	NATURAL	PA66 UL94-V0 GWT 750 °C	1-1863003-2	3
8	NATURAL	PA6 UL94-V0	1-1863003-1	2
7 6	NATURAL	PA6 UL94-V2	1863003-1	1

THIS DRAWING IS A CONTROLLED DOCUMENT.		DWN J. SALO 29NOV2007	TE Connectivity	
DIMENSIONS: INCH [mm]		CHK J. LAZARO 29NOV2007		
TOLERANCES UNLESS OTHERWISE SPECIFIED:		APVD L. BATLLO 29NOV2007	NAME PLUG. 9 CIRCUIT UNIVERSAL MATE N LOCK	
0 PLC ±.013 [0.005] 1 PLC ±.013 [0.005] 2 PLC ±.013 [0.005] 3 PLC ±.013 [0.005] 4 PLC ±.013 [0.005] ANGLES ±0.5°		PRODUCT SPEC -	RESTRICTED TO -	
MATERIAL SEE TABLE		APPLICATION SPEC -	SIZE A3	CAGE CODE 00779
FINISH -		WEIGHT -	DRAWING NO C-1863003	
		CUSTOMER DRAWING	SCALE 1:1	SHEET 1 OF 1
			REV A5	