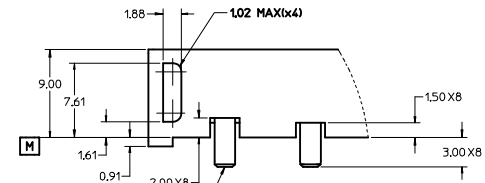
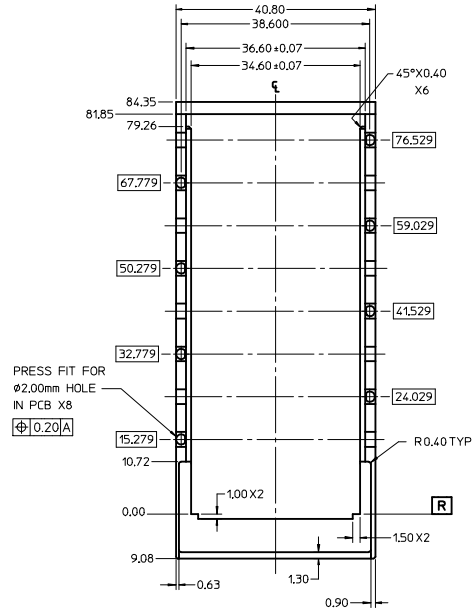
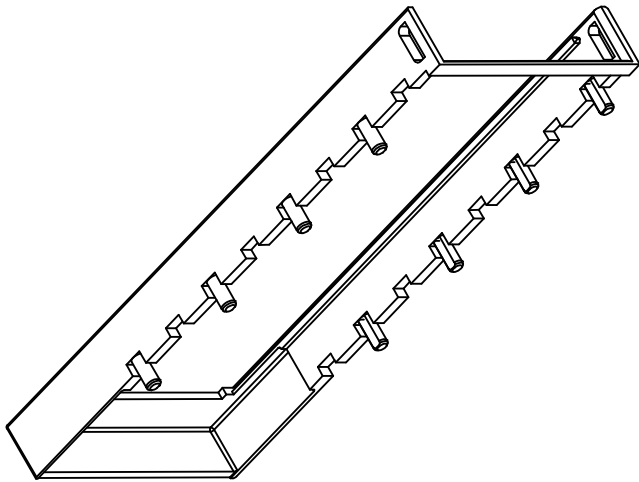


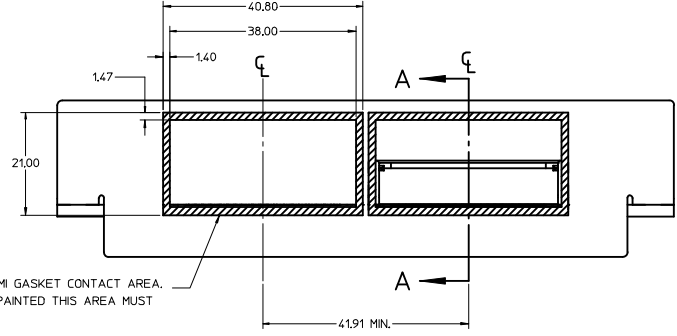
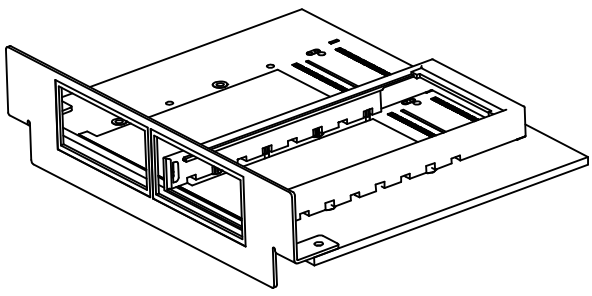
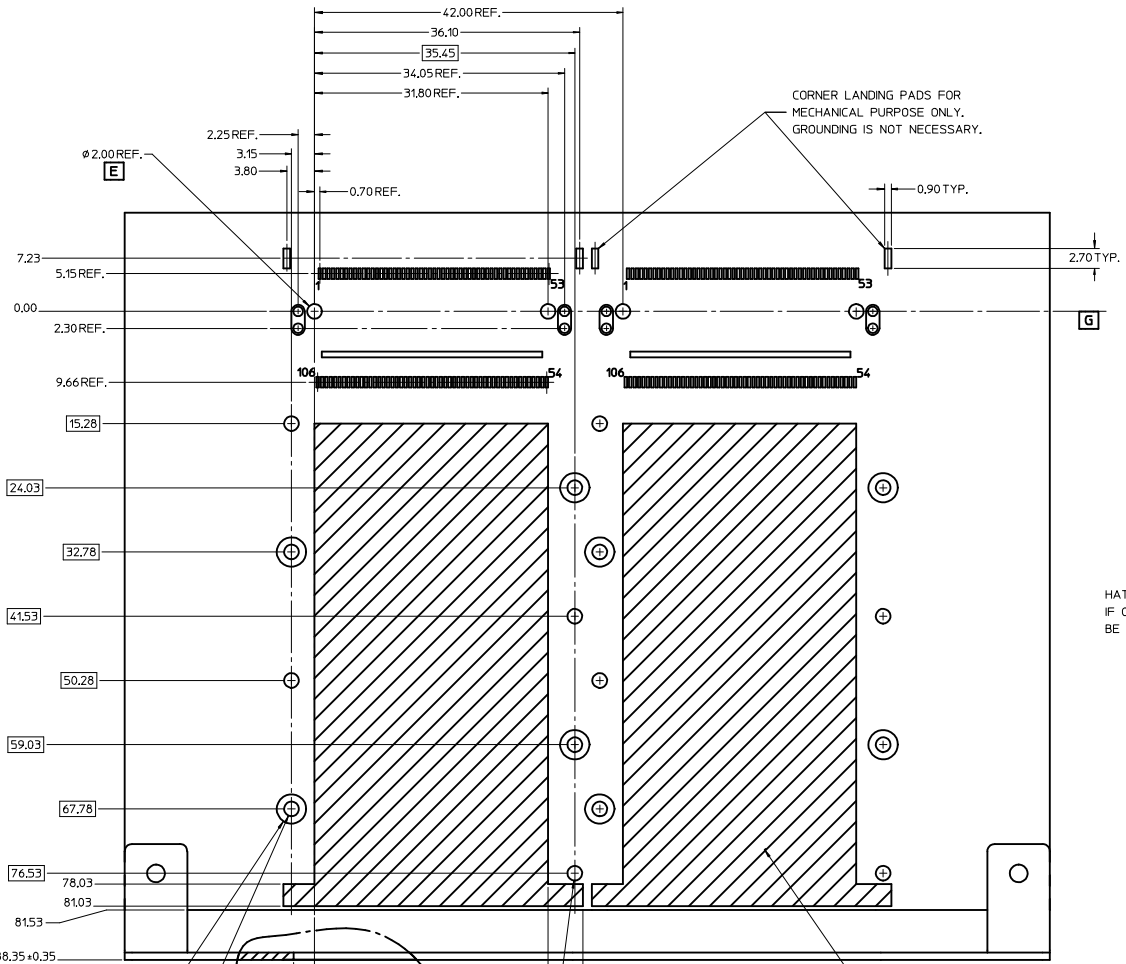
SEE Detail2



LEGS DESIGNED FOR PRESS FIT IN TO HOST PCB (X8)
Detail2 SCALE 4:1

NOTES:
MATERIAL: NICKEL PLATED ZINC ALLOY DIECAST.

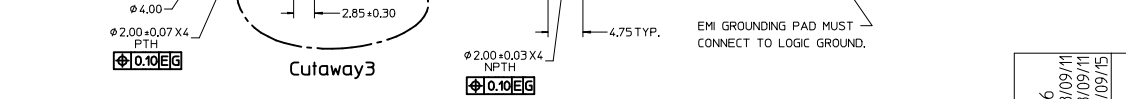
EC NO: USY2004-0026 DRWN: RPETERS 2003/09/11 CHYD: KLLLOYD 2003/09/11 APPR: BRUSSELL 2003/09/15	QUALITY SYMBOLS	GENERAL TOLERANCES (UNLESS SPECIFIED)	SCALE 2:1	DESIGN UNITS METRIC	THIRD ANGLE PROJECTION	REVISE ON CAD ONLY
	0 0	4 PLACES ± --- ± --- 3 PLACES ± 0.05 ± --- 2 PLACES ± 0.13 ± --- 1 PLACE ± --- ± ---	DIMENSION STYLE MM ONLY	TITLE		
		ANGULAR ± 1/2 °	DRAWN BY DATE KLLLOYD 2003/07/21	IBPAK GUIDE RAIL AND RECOMMENDED PCB MOUNTING LAYOUT		
		DRAFT WHERE APPLICABLE MUST REMAIN WITHIN DIMENSIONS	CHECKED BY DATE BRUSSELL 2003/07/21	MOLEX INCORPORATED		
			APPROVED BY DATE	MATERIAL NO.	DOCUMENT NO.	SHEET NO.
			BRUSSELL 2003/07/21	747330220	SD-74733-220	1 OF 2
THIS DRAWING CONTAINS INFORMATION THAT IS PROPRIETARY TO MOLEX INCORPORATED AND SHOULD NOT BE USED WITHOUT WRITTEN PERMISSION						



HATCHED AREA IS EMI GASKET CONTACT AREA. IF OUTER BEZEL IS PAINTED THIS AREA MUST BE MASKED.



SECTION A-A



- NOTES:**
1. DRAWING SHOWS PCB MOUNTING LAYOUT FOR TWO RAILS.
 2. SEE DRAWING SD-45336-001 FOR HOST CONNECTOR LAYOUT DETAILS.
 3. MINIMUM PCB THICKNESS FOR SINGLE SIDED USE - 2.0mm (0.079").
 4. MINIMUM PCB THICKNESS FOR BELLY TO BELLY USE - 5.2mm (0.206").
 5. NPTH - NON PLATED THROUGH HOLE. PTH - PLATED THROUGH HOLE.
 6. DATUMS G AND R ARE CONINCIDENT.

EC NO: USY2004-0026 DRWN: RPETERS 2003/09/11 CHKD: KLOYD 2003/09/11 APPR: BRUSSELL 2003/09/15	QUALITY SYMBOLS	GENERAL TOLERANCES (UNLESS SPECIFIED)	SCALE 2:1	DESIGN UNITS METRIC	THIRD ANGLE PROJECTION	REVISE ON CAD ONLY
	-0 -0	mm INCH 4 PLACES ± --- ± --- 3 PLACES ± 0.05 ± --- 2 PLACES ± 0.13 ± --- 1 PLACE ± --- ± ---	DIMENSION STYLE MM ONLY	TITLE		IBPAK GUIDE RAIL AND RECOMMENDED PCB MOUNTING LAYOUT
DESCRIPTION	ANGULAR ± 1/2 ° DRAFT WHERE APPLICABLE MUST REMAIN WITHIN DIMENSIONS	CHECKED BY DATE BRUSSELL 2003/07/21	MOLEX INCORPORATED		SHEET NO. 2 OF 2	
REV		APPROVED BY DATE BRUSSELL 2003/07/21	MATERIAL NO. 747330220		DOCUMENT NO. SD-74733-220	