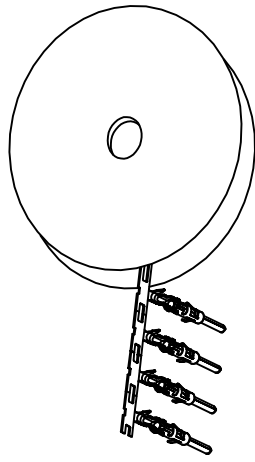


REVISIONS				
REV	ECO	DESCRIPTION	DATE	BY APPR
A1	-	RELEASED DRAWING	Jul-16-18	Flan Tommy

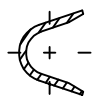
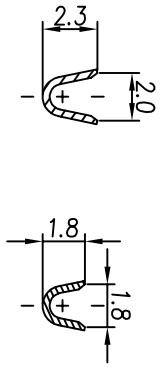
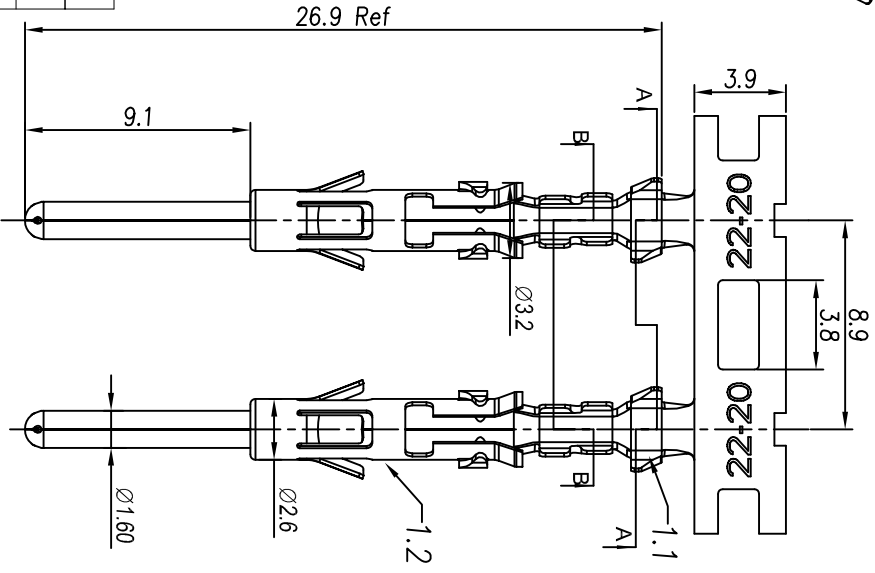


CONTACT ORIENTATION ON ROLL(3000PCS/COIL)

NOTES : (UNLESS OTHERWISE SPECIFIED)

- MATERIAL :
 - CONTACT BODY : COPPER ALLOY.
 - OUTER SPRING : STAINLESS STEEL.
- SPECIFICATIONS :
 - CURRENT RATING : 13A MAX.
 - TERMINATION TYPE : CRIMPING.
 - WIRE RANGE : 22~20AWG.
 - WIRE INSULATION DIA(MAX) : ϕ 2.5mm.
- RoHS COMPLIANT.
- ALL DIMENSIONS ARE FOR REFERENCE USE ONLY.
- AVAILABLE TOOLS :
 - HAND CRIMPER : MFX-3954.
 - CRIMP APPLICATOR : MFX-3957.
 - EXTRACTION TOOL : QXRT16.

P/N	CONTACT PLATING(MATING AREA)
SP20M2T	TIN PLATING OVER NICKEL.
SP20M2N	NICKEL PLATING OVER COPPERIZE.
SP20M2F	GOLD FLASH PLATING OVER NICKEL.
SP20M2G5	5 μ "GOLD PLATING OVER NICKEL.
SP20M2G10	10 μ "GOLD PLATING OVER NICKEL.
SP20M2G15	15 μ "GOLD PLATING OVER NICKEL.
SP20M2G30	30 μ "GOLD PLATING OVER NICKEL.



QUANTITY	PART NUMBER	DESCRIPTION	ITEM
MATERIALS LIST			
UNLESS OTHERWISE SPECIFIED 1) All dimensions are in millimeters. 2) Tolerances are as follows: 1 PL, DEC & 0.30 Fractions, ±1/64 3 PL, DEC & 0.08 Fractions, ±1/16 3) Note reference = Δ			
SIGNATURES		DATE	
DRAWN: Flan	DATE: Jul-16-18	DESIGNED: Tom	DATE: Jul-16-18
ENGINEER: Tom	DATE: Jul-16-18	APPROVAL: Tom	DATE: Jul-16-18
MATERIAL SPECIFICATIONS:		CUSTOMER: Tom	
PROCESS SPECIFICATIONS:		TEST SPECIMENS SPECIFICATIONS:	
NEXT ASSY:		SPECIFICATIONS AND PERFORMANCE DATA:	
		ECO-MATE PIN CONTACT, STAMPED, 22-20AWG, SIZE 16	
		SIZE: B	
		TYPE: C-	
		DRAWING NO: SP20M2XX	
		REVISION: A1	
		SHEET: 1 OF 1	

