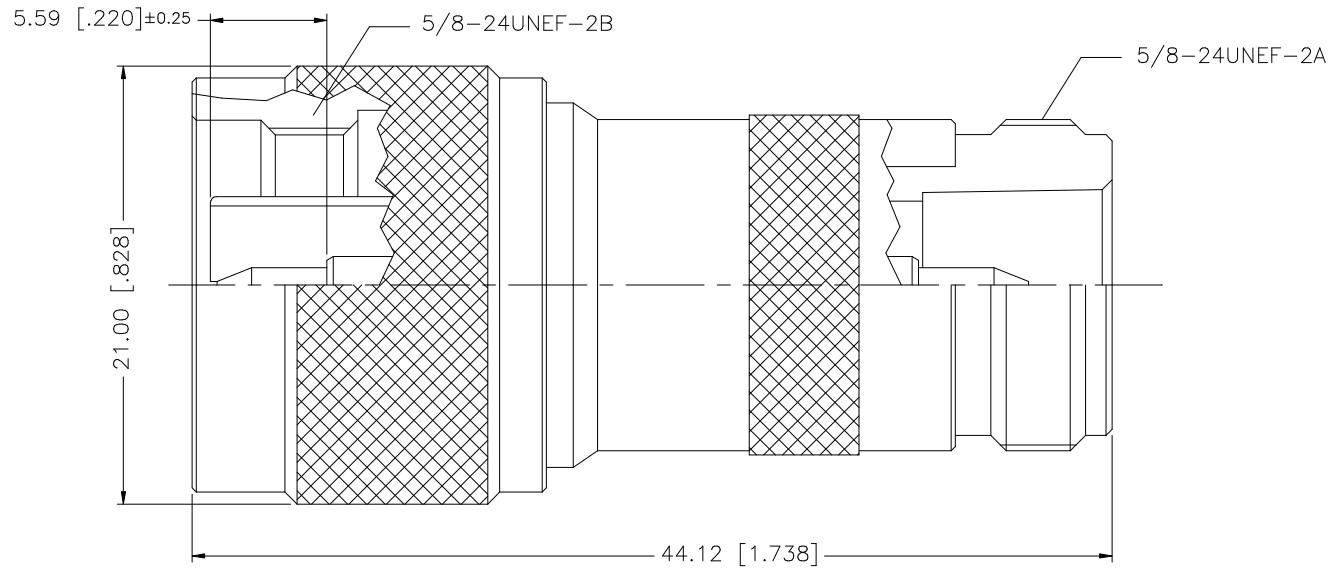


REV.	DATE	DESCRIPTION
A	09/07/04	UPDATE DRAWING FORMAT/ MODIFY X-SECTION
B	09/13/05	MODIFY LENGTH AND X-SEC VIEW.
C	04/08/07	ADD X-SEC VIEW



8					UNLESS OTHERWISE SPECIFIED DIMENSIONS ARE IN MILLIMETERS. DIMENSIONS IN [] ARE IN INCHES AND FOR CUSTOMER REFERENCE ONLY.	APPROVALS	DATE	Amphenol Connex							
7						DRAWN	G.R.S.				04/08/07				
6					UNLESS OTHERWISE SPECIFIED TOLERANCES FOR MILLIMETERS ARE: 0.5 - 8mm ± 0.20mm 8 - 30mm ± 0.40mm 30 - 120mm ± 0.50mm	CHECKED		PART DESCRIPTION N PLUG TO N REVERSE POLARITY JACK ADAPTER							
5						ISSUED									
4					UNLESS OTHERWISE SPECIFIED TOLERANCES FOR INCHES ARE: .020 - .315 = ± 0.007" .315 - 1.180 = ± 0.015" 1.180 - 4.724 = ± 0.020"	SHEET	1 OF 1	PART NO. 172213RP							
3	CONTACT PIN	BRASS	GOLD	1		CAD FILE	C:/172/172213RP.DWG				DWG. NO.	172213RP.DWG	REV.	C	SIZE
2	INSULATOR	TEFLON	NATURAL	1	DO NOT SCALE DRAWING										
1	BODY	BRASS	NICKEL	1											