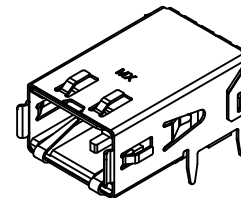
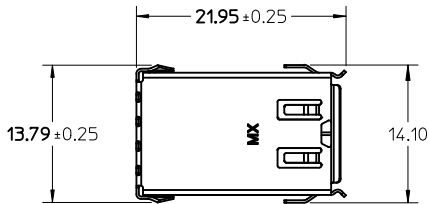
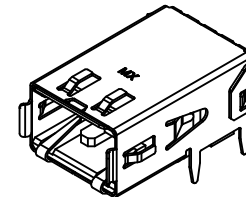


NOTES:

1. MATERIALS: HOUSING - LIQUID CRYSTAL POLYMER, UL94 V-0, NATURAL
 TERMINAL - COPPER NICKEL SILICON ALLOY
 SHIELD - BRASS ALLOY
2. FINISHES:
 TERMINAL: 1.27 MICROMETERS MINIMUM SELECT GOLD AND
 3.81 MICROMETERS MINIMUM SELECT TIN OVER
 NICKEL UNDERPLATE OVERALL.
 SHELL: 3.00 MICROMETERS MINIMUM TIN OVER
 NICKEL UNDERPLATE OVERALL.
3. PACKAGE TAPE AND REEL PER PK-74703-001 AND
 PACKAGE TRAYS PER PK-74703-002.
4. PART CONFORMS TO SPECIFICATION PS-74703-001.
5. DROP-IN AND PRESS FIT ASSEMBLIES REQUIRED TO
 BE SOLDERED TO BOARD.

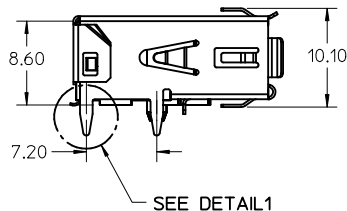


INFINIBAND KEYING
WITH DROP-IN SHIELD



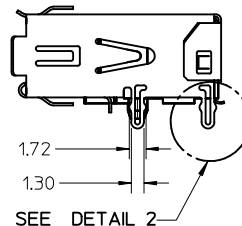
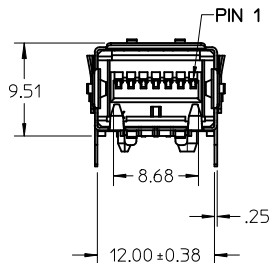
FIBRE CHANNEL KEYING
WITH DROP-IN SHIELD

DROP-IN SHIELD

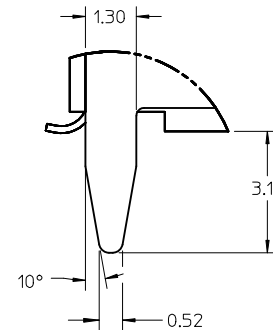


SEE DETAIL 1

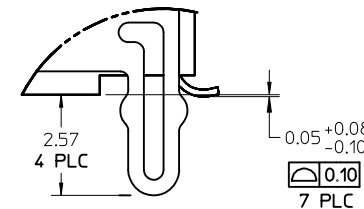
PRESS-FIT SHIELD



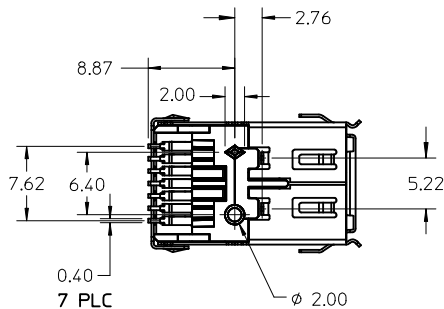
SEE DETAIL 2



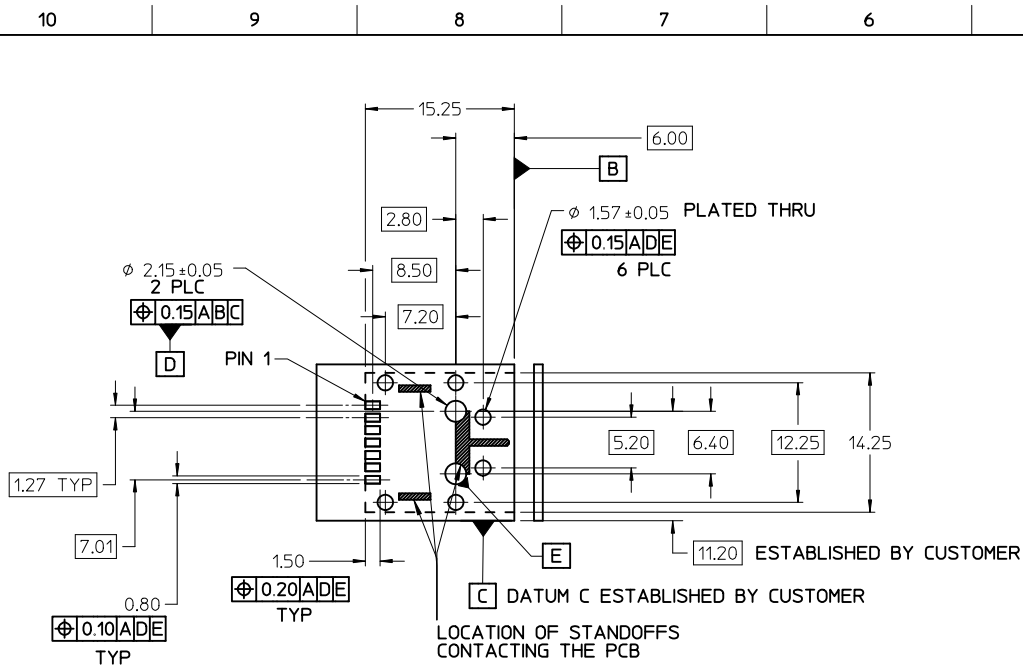
DETAIL 1
SCALE 8:1



DETAIL 2
SCALE 8:1

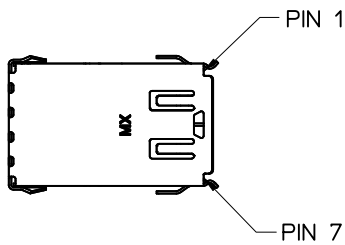


REVISE DRAWING EC NO: UCP2012-3535 DRAWN: MORGAN 2012/04/26 CHKD: BBARKER 2012/04/26 APPR: SMILLER 2012/06/08	DESCRIPTION REV	QUALITY SYMBOLS	GENERAL TOLERANCES (UNLESS SPECIFIED)		DIMENSION STYLE		SCALE	DESIGN UNITS	THIRD ANGLE PROJECTION	
		$\nabla F/0$ $\nabla E/0$ $\nabla E/0$	mm INCH 4 PLACES ± --- ± --- 3 PLACES ± --- ± --- 2 PLACES ± 0.13 ± --- 1 PLACE ± 0.25 ± --- 0 PLACE ± ±	MM ONLY	2:1	METRIC	DRAWN BY DATE KSTILES 10/06/2000 CHECKED BY DATE RSFOX 10/09/2000 APPROVED BY DATE DBRINKMA 10/12/2000	TITLE	SALES DRAWING HSSDC2 RECEPTACLE ASSEMBLY	
		ANGULAR ± 3° DRAFT WHERE APPLICABLE MUST REMAIN WITHIN DIMENSIONS	MATERIAL NO. SEE TABLE	DOCUMENT NO.	SD-74703-001		SHEET NO.	1 OF 3		
		THIS DRAWING CONTAINS INFORMATION THAT IS PROPRIETARY TO MOLEX INCORPORATED AND SHOULD NOT BE USED WITHOUT WRITTEN PERMISSION								

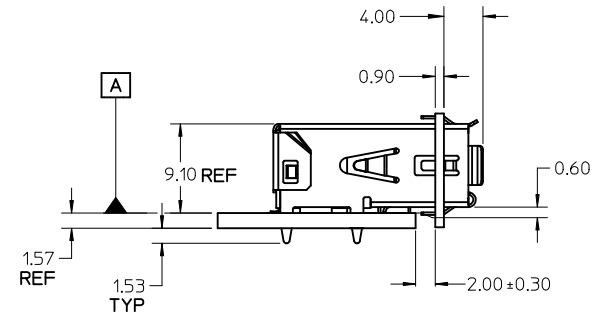


RECOMMENDED PCB LAYOUT
COMPONENT SIDE SHOWN

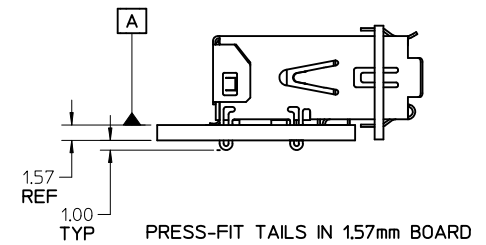
THE ENTIRE AREA OF THE CONNECTOR FOOTPRINT TO
BE CONSIDERED THE KEEP OUT AREA (FOR COMPONENTS).
THIS AREA IS INDICATED BY THE DASHED LINE.



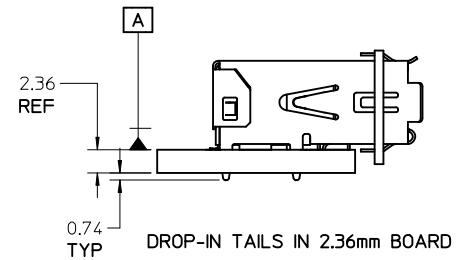
PIN NO.	INFINIBAND	FIBRE CHANNEL
1	G	G
2	R+	R-
3	R-	R+
4	G	G
5	T-	T+
6	T+	T-
7	G	G



DROP-IN TAILS IN 1.57mm BOARD

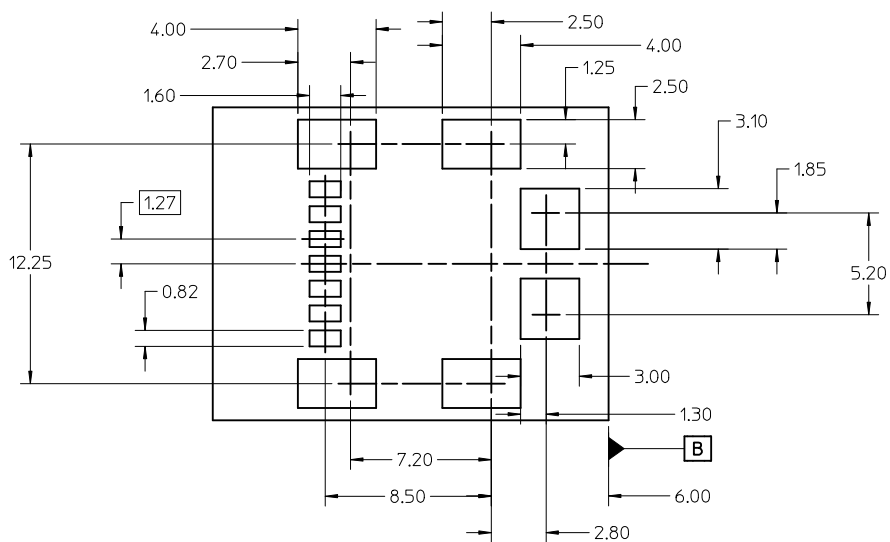


PRESS-FIT TAILS IN 1.57mm BOARD

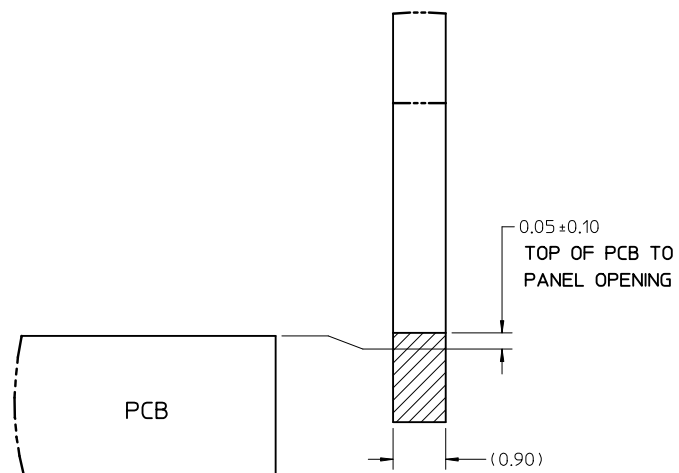


DROP-IN TAILS IN 2.36mm BOARD

SEE SHEET 1 EC NO: UCP2012-3535 DRWN:DMORGAN 2012/04/26 CHKD:BBARKER 2012/04/26 APPR:SMILLER 2012/06/08	QUALITY SYMBOLS	GENERAL TOLERANCES (UNLESS SPECIFIED)	DIMENSION STYLE	SCALE	DESIGN UNITS	THIRD ANGLE PROJECTION
	▽/0	mm INCH	MM ONLY	2:1	METRIC	
	▽/0	4 PLACES ± --- ± ---	DRAWN BY DATE	TITLE	SALES DRAWING HSSDC2 RECEPTACLE ASSEMBLY	
	▽/0	3 PLACES ± --- ± ---	KSTILES 10/06/2000			
	2 PLACES ± 0.13 ± ---	CHECKED BY DATE	RSFOX 10/09/2000	DOCUMENT NO.	SD-74703-001	SHEET NO.
	1 PLACE ± 0.25 ± ---	APPROVED BY DATE	DBRINKMA 10/12/2000			2 OF 3
	0 PLACE ± ±	MATERIAL NO.	SEE TABLE			
	ANGULAR ± 3°	THIS DRAWING CONTAINS INFORMATION THAT IS PROPRIETARY TO MOLEX INCORPORATED AND SHOULD NOT BE USED WITHOUT WRITTEN PERMISSION				
	DRAFT WHERE APPLICABLE MUST REMAIN WITHIN DIMENSIONS					

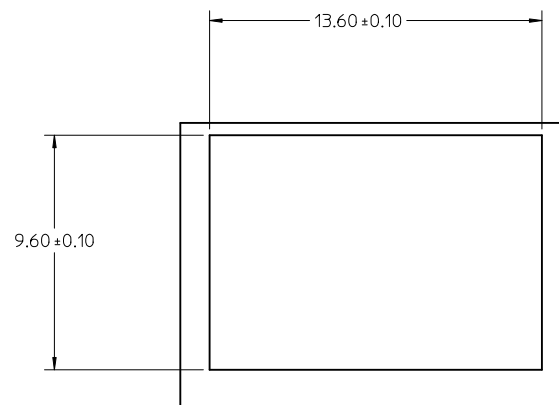


RECOMMENDED SMT STENCIL LAYOUT



PARTIAL1 SCALE 12:1

CKT. SIZE	MATERIAL NUMBER		KEYING OPTION	SHIELD OPTION
	TAPE/REEL	TRAY		
7	74703-0007	74703-0017	INFINIBAND	DROP-IN
7	74703-0107	74703-0117	FIBRE CHANNEL	DROP-IN
7	74703-0307	74703-0317	INFINIBAND	PRESS-FIT
7	74703-0407	74703-0417	FIBRE CHANNEL	PRESS-FIT



RECOMMENDED PANEL OPENING

SEE SHEET 1 EC NO: UCP2012-3535 DRWN:DMORGAN 2012/04/26 CHKD:BBARKER 2012/04/26 APPR:SMILLER 2012/06/08	QUALITY SYMBOLS	GENERAL TOLERANCES (UNLESS SPECIFIED)		DIMENSION STYLE MM ONLY		SCALE 2:1	DESIGN UNITS METRIC	THIRD ANGLE PROJECTION	
	▽=0	4 PLACES	mm	INCH	DRAWN BY KSTILES	DATE 10/06/2000	TITLE SALES DRAWING HSSDC2 RECEPTACLE ASSEMBLY		
	▽=0	3 PLACES	±	±	CHECKED BY RSFOX	DATE 10/09/2000			
	▽=0	2 PLACES	± 0.13	±	±	APPROVED BY DBRINKMA	DATE 10/12/2000	DOCUMENT NO. SD-74703-001	
	1 PLACE	± 0.25	±	±	MATERIAL NO. SEE TABLE		SHEET NO. 3 OF 3		
	0 PLACE	±	±	±	THIS DRAWING CONTAINS INFORMATION THAT IS PROPRIETARY TO MOLEX INCORPORATED AND SHOULD NOT BE USED WITHOUT WRITTEN PERMISSION				