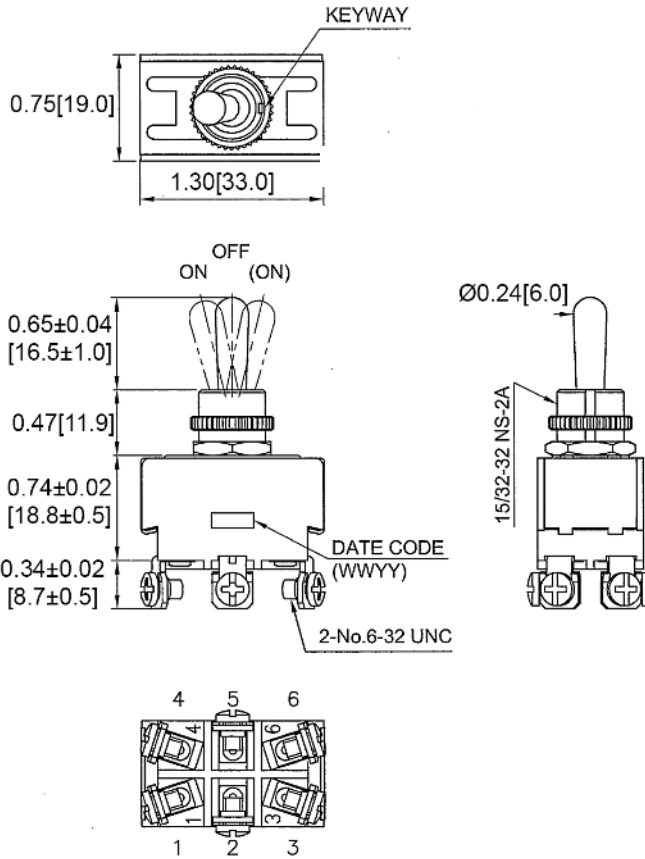
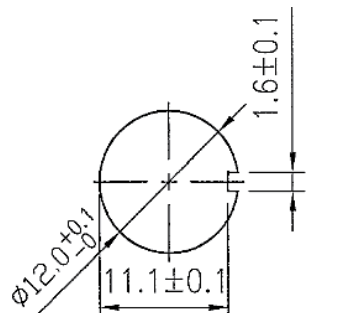


Mechanical Dimensions: Inches [mm]

Tolerances ± 0.012 [0.3] Unless Otherwise Specified



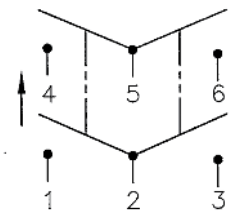
Mounting Hole



Thickness: 0.24 [6.0mm] max

Circuit Diagram

6P DPDT ON-OFF-(ON)



Electrical Specifications

Rating 20A 125V AC, 10A 277V AC, 1 1/2HP 125-250V AC
10(4)A 125/250V AC

Contact Resistance 50m ohm Max

Insulation Resistance DC 500V 100M ohm Min

Dielectric Strength AC 1500V 1 minute

Operation Temperature 800gf±300gf

Material Specifications

1 Hex Nut Assy

1 Knurl Nut Assy

Rev	Date of issue	Revision Notes	Designed	Approved
B	11-30-2021	Initial Drawing	RC	OF