

# QUICKSHEET

## acnRANGE

The easiest way from A to B



**MA:DE IN  
GERMANY**

**aconno™**

## Preamble

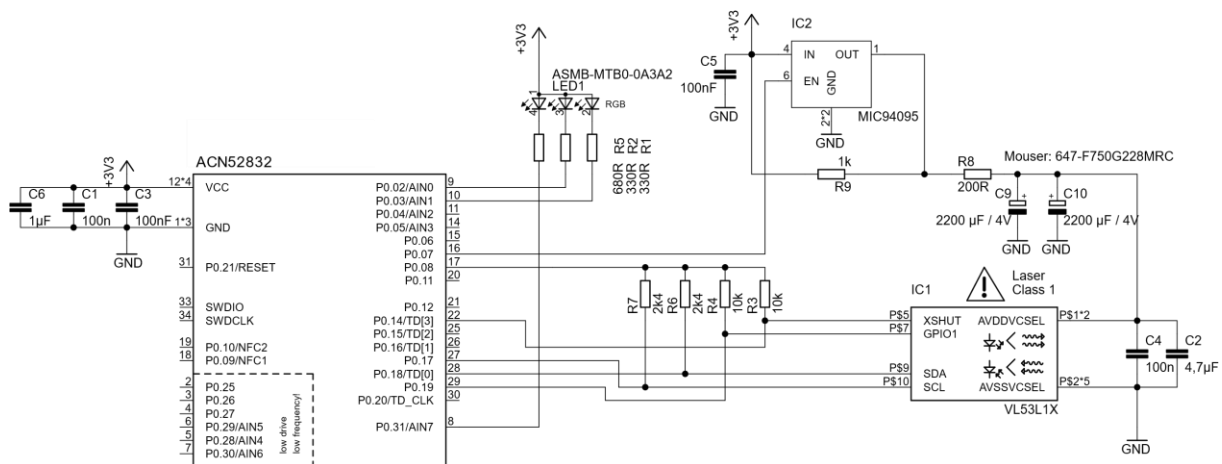
This document is a preface of a real datasheet and is meant to give you enough data for a quick start with this aconno product.

Please take all necessary data (e.g. temperature or voltage ranges) of the used components from the linked datasheets.

## Environmental specifications

- ROHS conform
- Temperature range -40°C to +85°C
- Rilsan case with IP65 equivalent
- CR2450 battery powered

## Schematic



## Components

BLE module: [ACN52832 \(https://aconno.de/products/acn52832\)](https://aconno.de/products/acn52832)

Time-of-Flight sensor: [VL53L1X \(https://aconno.de/VL53L1X\)](https://aconno.de/VL53L1X)

LED: [RGB \(https://aconno.de/RGB\)](https://aconno.de/RGB)



FACEBOOK



TWITTER



LINKEDIN



YOUTUBE

