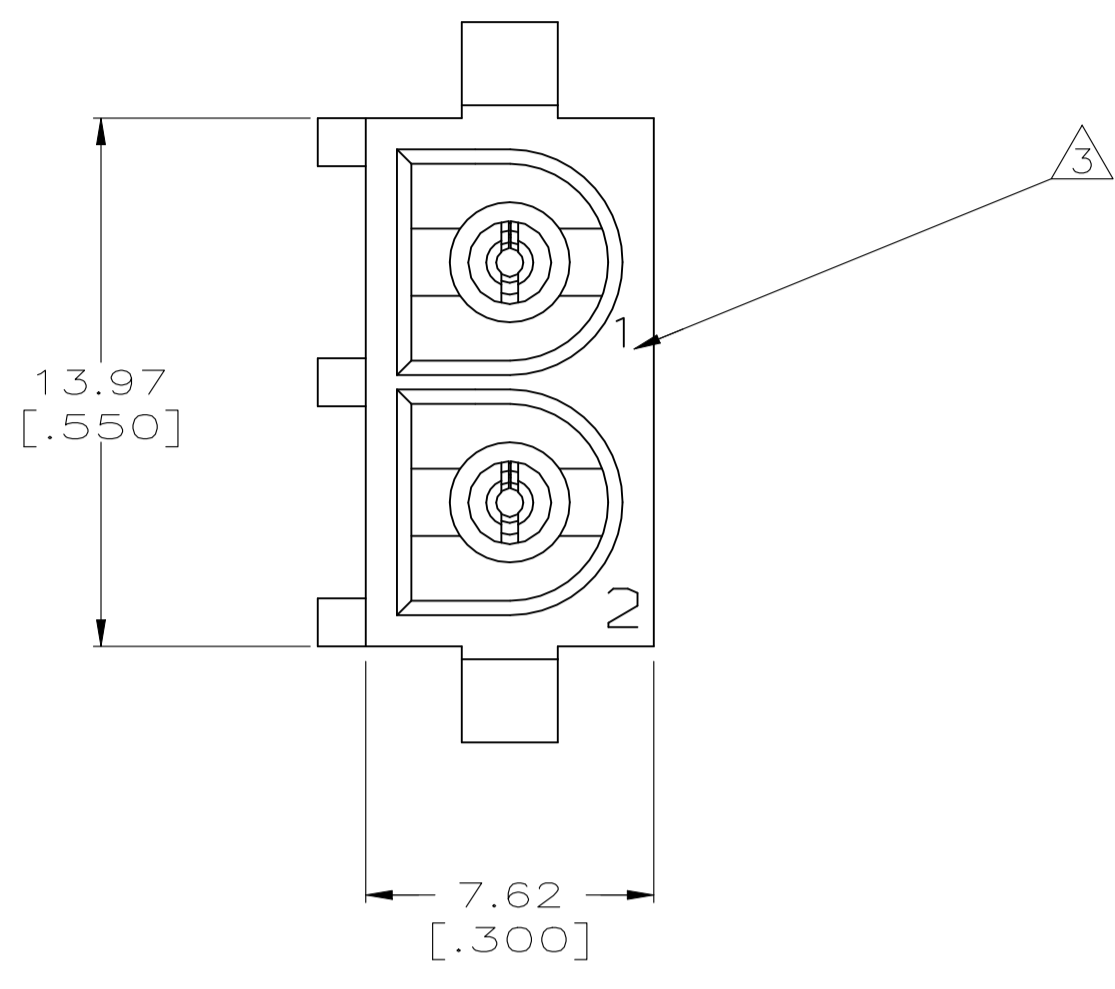
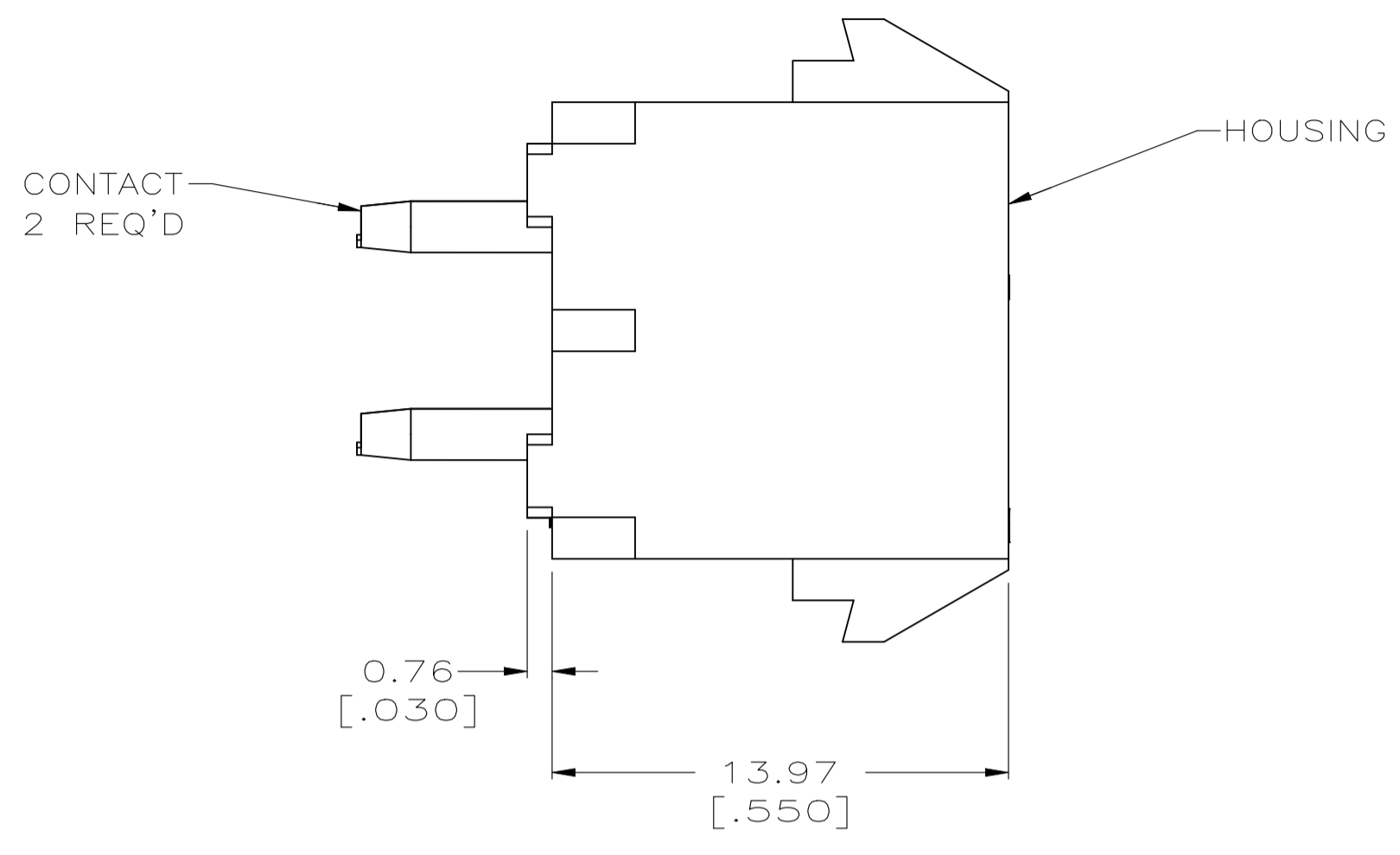
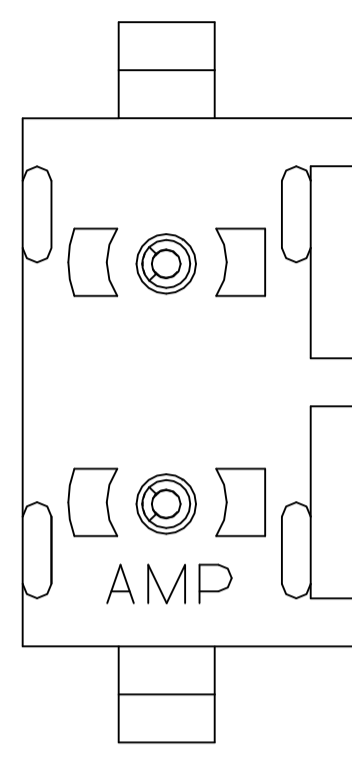
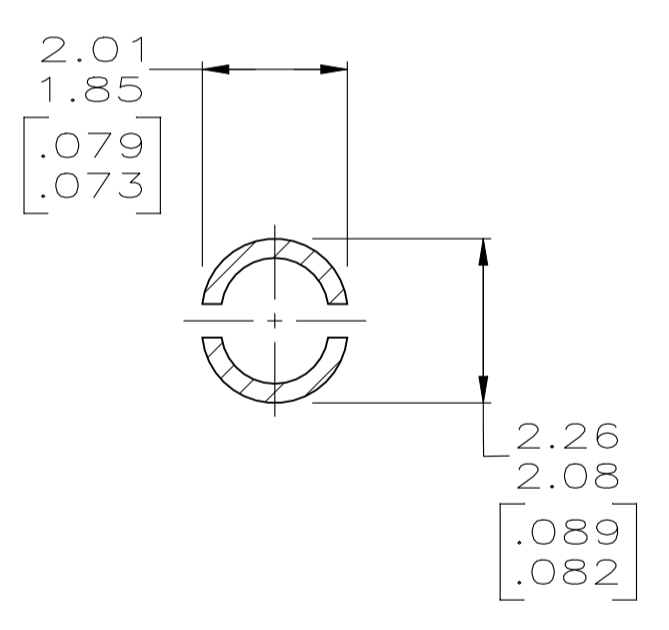
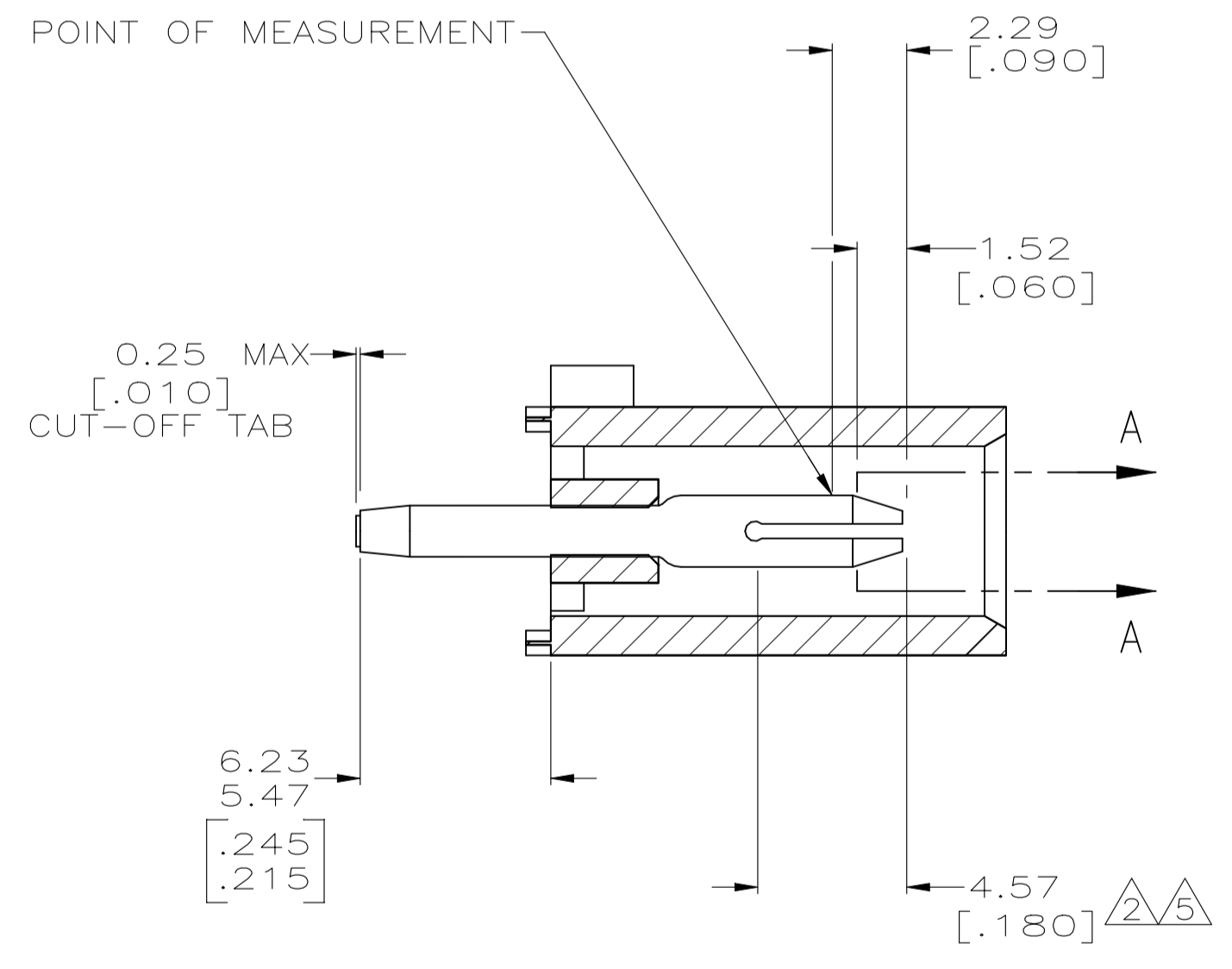


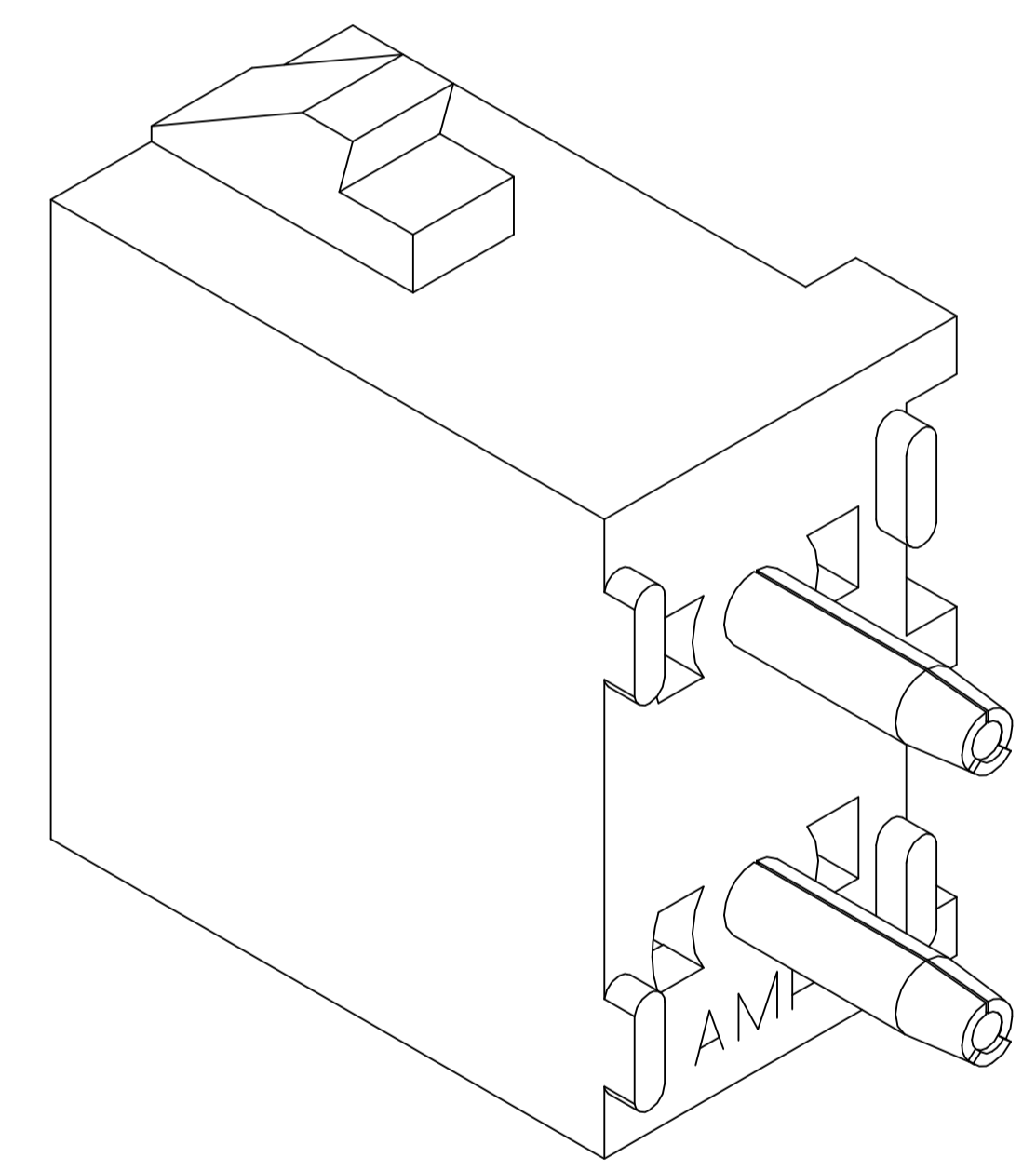
REVISIONS					
REV	DATE	DESCRIPTION	BY	CHK	APP'D
T3	02NOV2021	REVISED PER ECR-21-119230	SS	VS	



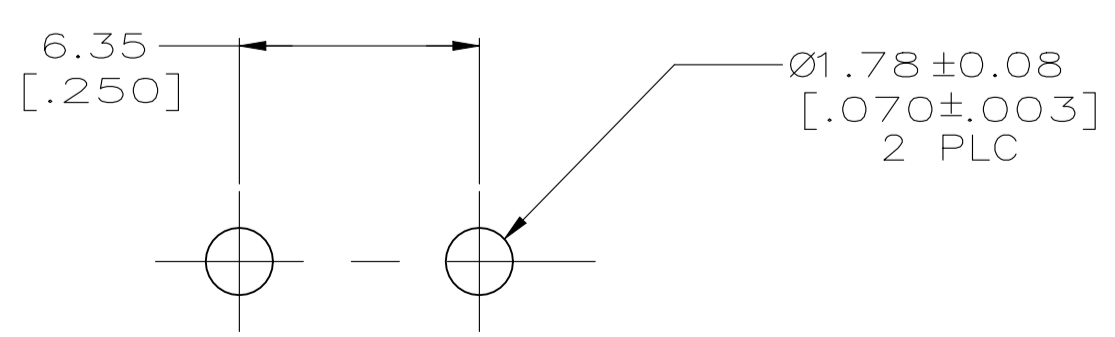
- 1 PARTS COMPLY TO AMP SOLDERABILITY SPECIFICATION 109-11-3.
- 2 CONTACT IS PLATED OVERALL WITH 0.00127 [.000050] NICKEL, THEN 0.00076 [.000030] GOLD OVER CONTACT LENGTH INDICATED AND MATTE TIN LEAD ON SOLDER TAIL END.
- 3 CIRCUIT IDENTIFICATION CHARACTERS ARE ADJACENT TO THE INDICATED CAVITIES, BUT LOCATION AND ORIENTATION MAY DIFFER FROM PRINT.
- 4 DIMENSIONS IN BRACKETS ARE IN INCHES.
- 5 CONTACT IS PLATED OVERALL WITH 0.00127 [.000050] NICKEL, THEN 0.00076 [.000030] GOLD OVER CONTACT LENGTH INDICATED AND MATTE TIN ON SOLDER TAIL END.
- 6 SUPERSEDED BY 350582-4
- 7 DIMENSIONS SHOWN REPRESENT PRODUCT IN DRY CONDITION. ADDITIONAL 2% GROWTH DUE TO END USE LOCATION MOISTURE ABSORPTION MAY OCCUR AND SHOULD BE ACCOUNTED FOR.



SECTION A-A
SCALE 10:1



3-DIMENSIONAL MODEL
NTS



RECOMMENDED MOUNTING HOLE PATTERN
FOR 3.18 [.125] THICK P.C. BOARD

PHOSPHOR BRONZE, GOLD	NYLON,UL94V-2,NATURAL	350582-4
PHOSPHOR BRONZE, GOLD	NYLON,UL94V-2,NATURAL	350582-2
PHOSPHOR BRONZE, PRE-TIN	NYLON,UL94V-2,NATURAL	350582-1
PIN CONTACT MATERIAL AND FINISH	HOUSING MATERIAL	PART NUMBER

THIS DRAWING IS A CONTROLLED DOCUMENT.		DIN R LEWIS 8-20-98	TE Connectivity
DIMENSIONS: mm [INCHES]		CHK R SWING 8-20-98	
TOLERANCES UNLESS OTHERWISE SPECIFIED:		APVD M TRULL 8-20-98	NAME
0 PLC ± -			PIN HEADER ASSEMBLY, 2 CIRCUIT UNIVERSAL MATE-N-LOK™
1 PLC ± -			APPLICATION SPEC
2 PLC ± 0.13 [.005]			SIZE CAGE CODE DRAWING NO
3 PLC ± -			RESTRICTED TO
4 PLC ± -			WEIGHT 0.000000 A1 00779 C=350582
ANGLES ± 0° 30'			CUSTOMER DRAWING SCALE 5:1 SHEET 1 OF 1 REV T3