

LF442-MIL Dual Low Power JFET Input Operational Amplifier

1 Features

- 1/10 Supply Current of a LM1458: 400 μ A (Max)
- Low Input Bias Current: 50 pA (Max)
- Low Input Offset Voltage: 1 mV (Max)
- Low Input Offset Voltage Drift: 7 μ V/ $^{\circ}$ C (Typ)
- High Gain Bandwidth: 1 MHz
- High Slew Rate: 1 V/ μ s
- Low Noise Voltage for Low Power: 35 nV/ $\sqrt{\text{Hz}}$
- Low Input Noise Current: 0.01 pA/ $\sqrt{\text{Hz}}$
- High Input Impedance: $10^{12}\Omega$
- High Gain $V_O = \pm 10V$, $R_L = 10k$: 50k (Min)

2 Applications

- High Speed Integrators
- Fast D/A Converters
- Sample and Hold Circuits

3 Description

The LF442-MIL dual low power operational amplifiers provide many of the same AC characteristics as the industry standard LM1458 while greatly improving the DC characteristics of the LM1458. The amplifiers have the same bandwidth, slew rate, and gain (10 k Ω load) as the LM1458 and only draw one tenth the supply current of the LM1458. In addition the well matched high voltage JFET input devices of the LF442-MIL reduce the input bias and offset currents by a factor of 10,000 over the LM1458. A combination of careful layout design and internal trimming ensures very low input offset voltage and voltage drift. The LF442-MIL also has a very low equivalent input noise voltage for a low power amplifier.

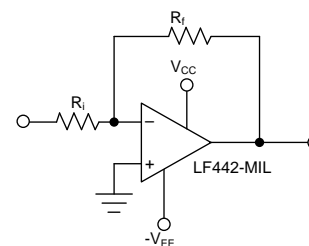
The LF442-MIL is pin compatible with the LM1458 allowing an immediate 10 times reduction in power drain in many applications. The LF442-MIL should be used where low power dissipation and good electrical characteristics are the major considerations.

Device Information⁽¹⁾

PART NUMBER	PACKAGE	BODY SIZE (NOM)
LF442-MILACN	PDIP (8)	9.59 mm \times 6.35 mm
LF442-MILAMH	TO-99 (8)	8.96 mm Diameter

(1) For all available packages, see the orderable addendum at the end of the data sheet.

Inverting Amplifier



Copyright © 2017, Texas Instruments Incorporated



Table of Contents

1 Features	1	7.3 Feature Description.....	11
2 Applications	1	7.4 Device Functional Modes.....	12
3 Description	1	8 Application and Implementation	13
4 Revision History	2	8.1 Application Information.....	13
5 Pin Configuration and Functions	3	8.2 Typical Applications	13
6 Specifications	4	9 Power Supply Recommendations	19
6.1 Absolute Maximum Ratings	4	10 Layout	19
6.2 Absolute Maximum Ratings	4	10.1 Layout Guidelines	19
6.3 Recommended Operating Conditions.....	4	10.2 Layout Example	19
6.4 Thermal Information	4	11 Device and Documentation Support	20
6.5 DC Electrical Characteristics	5	11.1 Receiving Notification of Documentation Updates	20
6.6 AC Electrical Characteristics.....	5	11.2 Community Resources.....	20
6.7 Typical Characteristics.....	6	11.3 Trademarks	20
7 Detailed Description	11	11.4 Electrostatic Discharge Caution.....	20
7.1 Overview	11	11.5 Glossary	20
7.2 Functional Block Diagram	11	12 Mechanical, Packaging, and Orderable Information	21

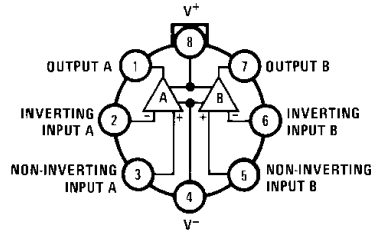
4 Revision History

NOTE: Page numbers for previous revisions may differ from page numbers in the current version.

DATE	REVISION	NOTES
June 2017	*	Initial release.

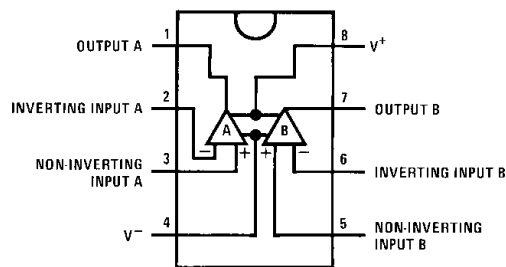
5 Pin Configuration and Functions

**TO Package
8-Pin LMC
Top View**



Pin 4 connected to case

**P Package
8-Pin PDIP
Top View**



Pin Functions

PIN		I/O	DESCRIPTION
NAME	NO.		
Inverting input A	2	Input	Amplifier A inverting input
Inverting input B	6	Input	Amplifier B inverting input
Noninverting input A	3	Input	Amplifier A noninverting input
Noninverting input B	5	Input	Amplifier B noninverting Input
Output A	1	Output	Amplifier A output
Output B	7	Output	Amplifier B output
V+	8	Power	Positive supply
V-	4	Power	Negative supply

6 Specifications

6.1 Absolute Maximum Ratings⁽¹⁾⁽²⁾

Supply voltage	±18 V
Differential input voltage	±30 V
Input voltage range ⁽³⁾	±15 V
Output short circuit duration ⁽⁴⁾	Continuous
Storage temperature, T_{stg}	–65 to 150°C

- (1) Stresses beyond those listed under *Absolute Maximum Ratings* may cause permanent damage to the device. These are stress ratings only, which do not imply functional operation of the device at these or any other conditions beyond those indicated under *Recommended Operating Conditions*. Exposure to absolute-maximum-rated conditions for extended periods may affect device reliability.
- (2) Refer to RETS442X for LF442MH military specifications.
- (3) Unless otherwise specified the absolute maximum negative input voltage is equal to the negative power supply voltage.
- (4) Any of the amplifier outputs can be shorted to ground indefinitely, however, more than one should not be simultaneously shorted as the maximum junction temperature will be exceeded.

6.2 Absolute Maximum Ratings⁽¹⁾⁽²⁾

	LMC0008C Package	P0008E Package
T_J max	150°C	115°C
Operating temperature range	See ⁽³⁾⁽⁴⁾	See ⁽³⁾⁽⁴⁾
Lead Temperature (Soldering, 10 sec.)	260°C	260°C

- (1) Stresses beyond those listed under *Absolute Maximum Ratings* may cause permanent damage to the device. These are stress ratings only, which do not imply functional operation of the device at these or any other conditions beyond those indicated under *Recommended Operating Conditions*. Exposure to absolute-maximum-rated conditions for extended periods may affect device reliability.
- (2) Refer to RETS442X for LF442MH military specifications.
- (3) These devices are available in both the commercial temperature range $0^\circ\text{C} \leq T_A \leq 70^\circ\text{C}$ and the military temperature range $-55^\circ\text{C} \leq T_A \leq 125^\circ\text{C}$. The temperature range is designated by the position just before the package type in the device number. A "C" indicates the commercial temperature range and an "M" indicates the military temperature range. The military temperature range is available in "H" package only.
- (4) The value given is in static air.

6.3 Recommended Operating Conditions

over operating free-air temperature range (unless otherwise noted)

	MIN	NOM	MAX	UNIT
Supply voltage			±15	V

6.4 Thermal Information

THERMAL METRIC ⁽¹⁾		LF442-MIL		UNIT	
		LMC (TO)	P (PDIP)		
		8 PINS	8 PINS		
$R_{\theta JA}$ (Typical)	Junction-to-ambient thermal resistance	400 linear feet/min air flow	65	114	°C/W
		Static air	165	152	
$R_{\theta JC}$ (Typical)	Junction-to-case thermal resistance		21		°C/W

- (1) For more information about traditional and new thermal metrics, see the [Semiconductor and IC Package Thermal Metrics](#) application report.

6.5 DC Electrical Characteristics⁽¹⁾⁽²⁾

PARAMETER		TEST CONDITIONS	MIN	TYP	MAX	UNIT
V _{OS}	Input offset voltage	R _S = 10 kΩ, T _A = 25°C		1	5	mV
		Over temperature			7.5	mV
ΔV _{OS} /ΔT	Average TC of input offset voltage	R _S = 10 kΩ		7		μV/°C
I _{OS}	Input offset voltage	V _S = ±15 V ⁽¹⁾⁽³⁾	T _J = 25°C	5	50	pA
			T _J = 70°C		1.5	nA
			T _J = 125°C			nA
I _B	Input bias current	V _S = ±15 V ⁽¹⁾⁽³⁾	T _J = 25°C	10	100	pA
			T _J = 70°C		3	nA
			T _J = 125°C			nA
R _{IN}	Input resistance	T _J = 25°C		10 ¹²		Ω
A _{VOL}	Large signal voltage gain	V _S = ±15 V, V _O = ±10 V, R _L = 10 kΩ, T _A = 25°C	25	200		V/mV
		Over temperature	15	200		V/mV
V _O	Output voltage swing	V _S = ±15 V, R _L = 10 kΩ	±12	±13		V
V _{CM}	Input common-mode voltage range		±11	14		V
				-12		V
CMRR	Common-mode rejection ratio	R _S ≤ 10 kΩ	70	95		dB
PSRR	Supply voltage rejection ratio	See ⁽⁴⁾	70	90		dB
I _S	Supply current			400	500	μA

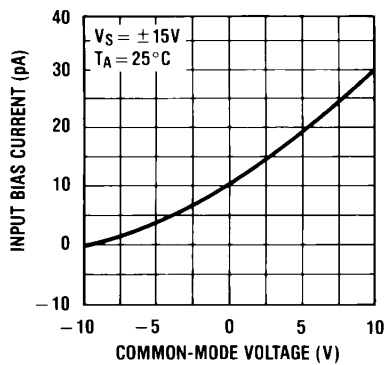
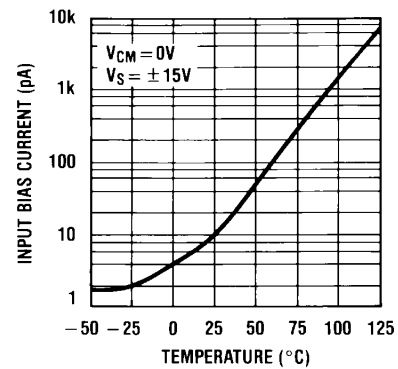
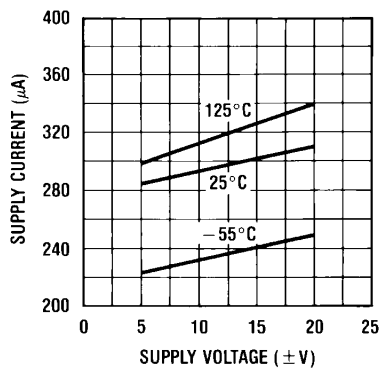
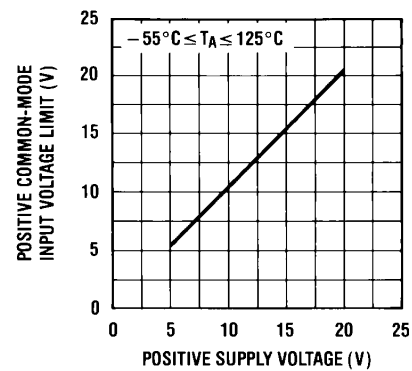
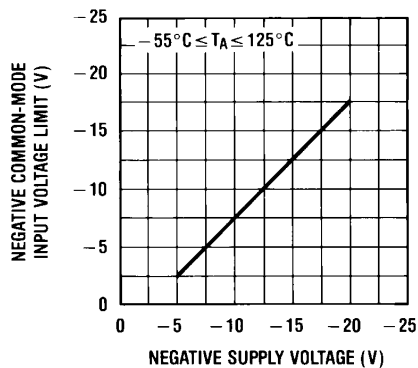
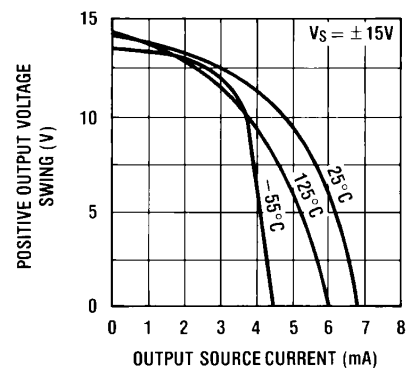
- (1) Unless otherwise specified, the specifications apply over the full temperature range of V_S = ±15 V for the LF442-MIL. V_{OS}, I_B, and I_{OS} are measured at V_{CM} = 0.
- (2) Refer to RETS442X for LF442-MIL MH military specifications.
- (3) The input bias currents are junction leakage currents which approximately double for every 10°C increase in the junction temperature, T_J. Due to limited production test time, the input bias currents measured are correlated to junction temperature. In normal operation the junction temperature rises above the ambient temperature as a result of internal power dissipation, P_D. T_J = T_A + θ_{JA}P_D where θ_{JA} is the thermal resistance from junction to ambient. Use of a heat sink is recommended if input bias current is to be kept to a minimum.
- (4) Supply voltage rejection ratio is measured for both supply magnitudes increasing or decreasing simultaneously in accordance with common practice from ±15 V to ±5 V for the LF442-MIL.

6.6 AC Electrical Characteristics⁽¹⁾⁽²⁾

PARAMETER		TEST CONDITIONS	MIN	TYP	MAX	UNIT
	Amplifier to amplifier coupling	T _A = 25°C, f = 1 Hz-20 kHz (Input referred)		-120		dB
SR	Slew rate	V _S = ±15 V, T _A = 25°C	0.6	1		V/μs
GBW	Gain-bandwidth product	V _S = ±15 V, T _A = 25°C	0.6	1		MHz
e _n	Equivalent input noise voltage	T _A = 25°C, R _S = 100 Ω, f = 1 kHz		35		nV/√Hz
i _n	Equivalent input noise current	T _A = 25°C, f = 1 kHz		0.01		pA/√Hz

- (1) Unless otherwise specified, the specifications apply over the full temperature range and for V_S = ±15 V for the LF442-MIL. V_{OS}, I_B, and I_{OS} are measured at V_{CM} = 0.
- (2) Refer to RETS442X for LF442-MIL MH military specifications.

6.7 Typical Characteristics


Figure 1. Input Bias Current

Figure 2. Input Bias Current

Figure 3. Supply Current

Figure 4. Positive Common-Mode Input Voltage Limit

Figure 5. Negative Common-Mode Input Voltage Limit

Figure 6. Positive Current Limit

Typical Characteristics (continued)

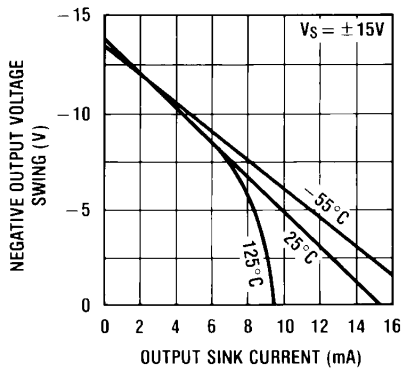


Figure 7. Negative Current Limit

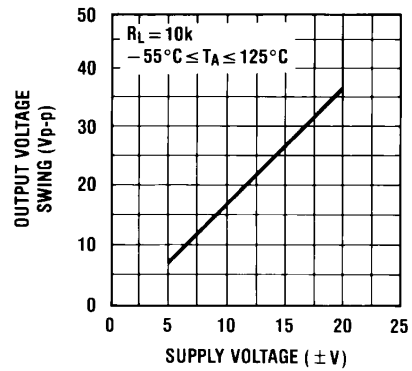


Figure 8. Output Voltage Swing

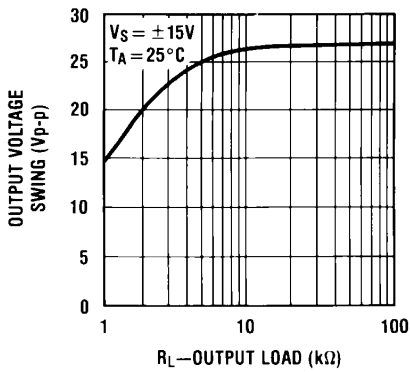


Figure 9. Output Voltage Swing

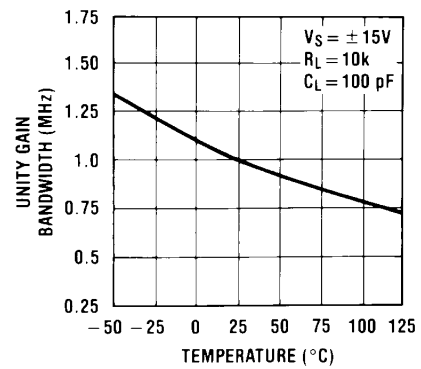


Figure 10. Gain Bandwidth

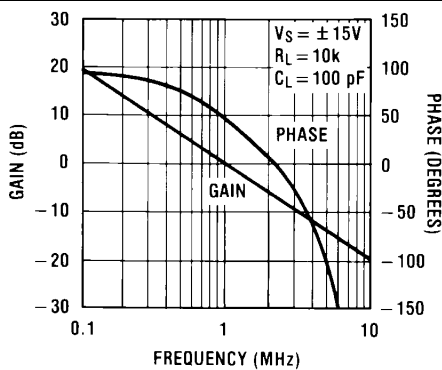


Figure 11. Bode Plot

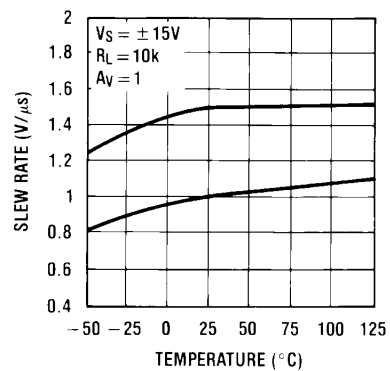


Figure 12. Slew Rate

Typical Characteristics (continued)

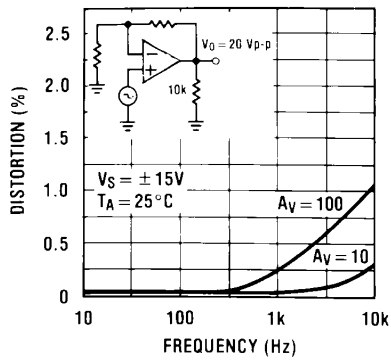


Figure 13. Distortion vs Frequency

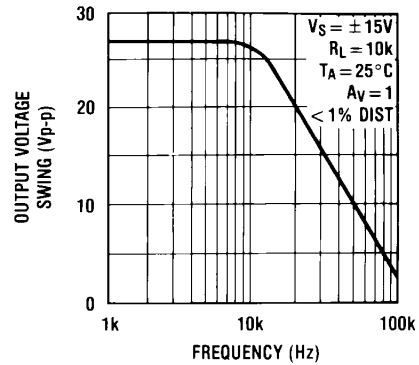


Figure 14. Undistorted Output Voltage Swing

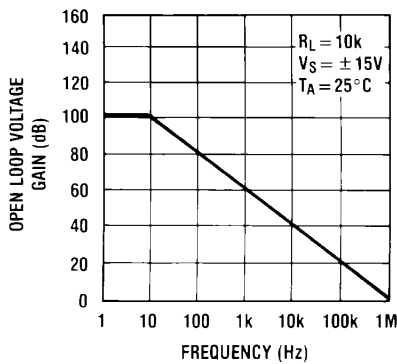


Figure 15. Open Loop Frequency Response

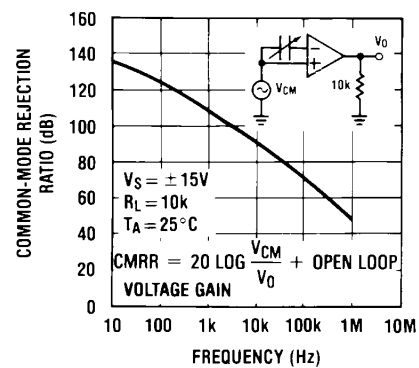


Figure 16. Common-Mode Rejection Ratio

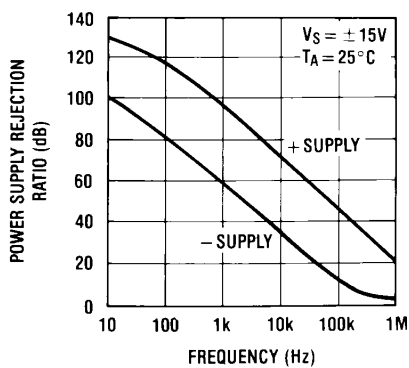


Figure 17. Power Supply Rejection Ratio

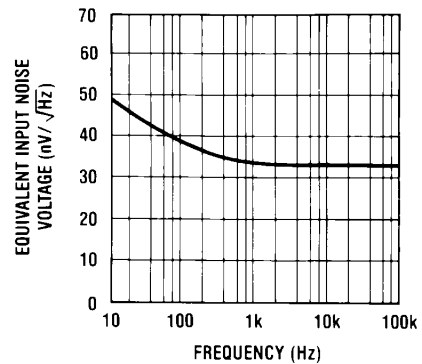


Figure 18. Equivalent Input Noise Voltage

Typical Characteristics (continued)

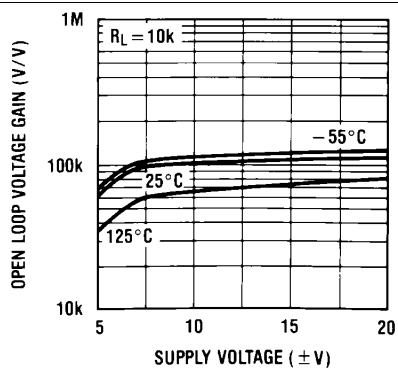


Figure 19. Open Loop Voltage Gain

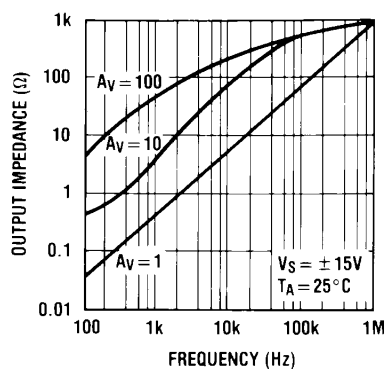


Figure 20. Output Impedance

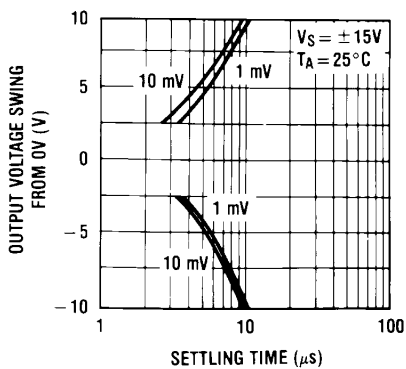


Figure 21. Inverter Settling Time

6.7.1 Pulse Response

$R_L = 10\text{ k}\Omega$, $C_L = 10\text{ pF}$

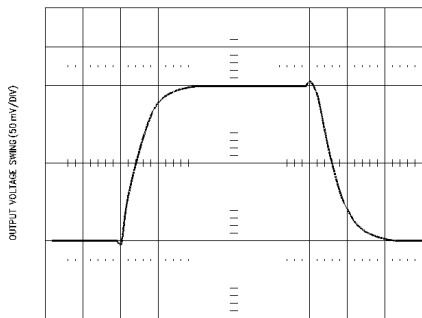


Figure 22. Small Signal Inverting

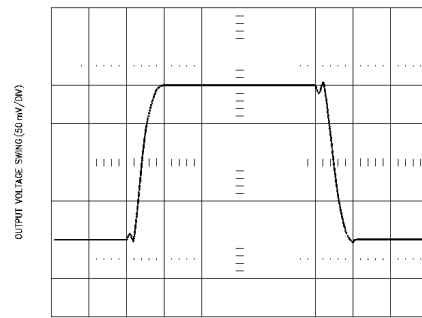


Figure 23. Small Signal Non-Inverting

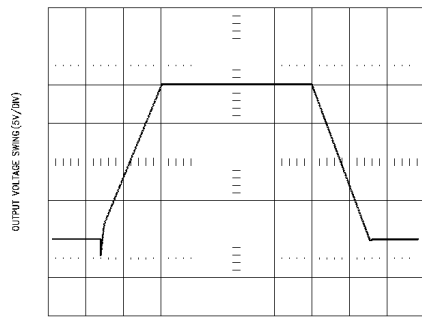


Figure 24. Large Signal Inverting

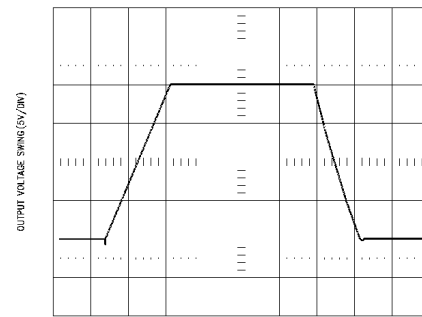


Figure 25. Large Signal Non-Inverting

7 Detailed Description

7.1 Overview

The LF442-MIL dual low power operational amplifiers provide many of the same AC characteristics as the industry standard LM1458 while greatly improving the DC characteristics of the LM1458. The amplifiers have the same bandwidth, slew rate, and gain (10 k Ω load) as the LM1458 and only draw one tenth the supply current of the LM1458. In addition the well matched high voltage JFET input devices of the LF442-MIL reduce the input bias and offset currents by a factor of 10,000 over the LM1458. A combination of careful layout design and internal trimming ensures very low input offset voltage and voltage drift. The LF442-MIL also has a very low equivalent input noise voltage for a low power amplifier.

The LF442-MIL is pin compatible with the LM1458 allowing an immediate 10 times reduction in power drain in many applications. The LF442-MIL should be used where low power dissipation and good electrical characteristics are the major considerations.

7.2 Functional Block Diagram

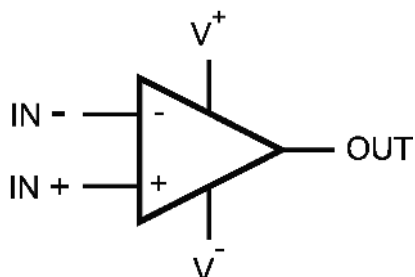


Figure 26. Each Amplifier

7.3 Feature Description

The amplifier's differential inputs consist of a non-inverting input (+IN) and an inverting input (-IN). The amplifier amplifies only the difference in voltage between the two inputs, which is called the differential input voltage. The output voltage of the op-amp V_{OUT} is given by the equation $V_{OUT} = A_{OL}(IN+ - IN-)$.

7.4 Device Functional Modes

7.4.1 Input and Output Stage

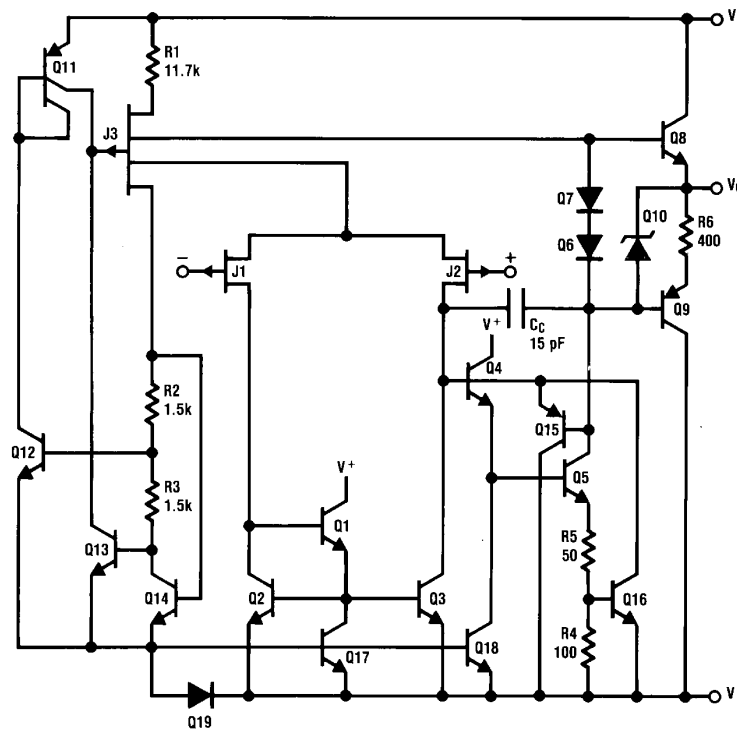


Figure 27. 1/2 Dual LF442-MIL

8 Application and Implementation

NOTE

Information in the following applications sections is not part of the TI component specification, and TI does not warrant its accuracy or completeness. TI's customers are responsible for determining suitability of components for their purposes. Customers should validate and test their design implementation to confirm system functionality.

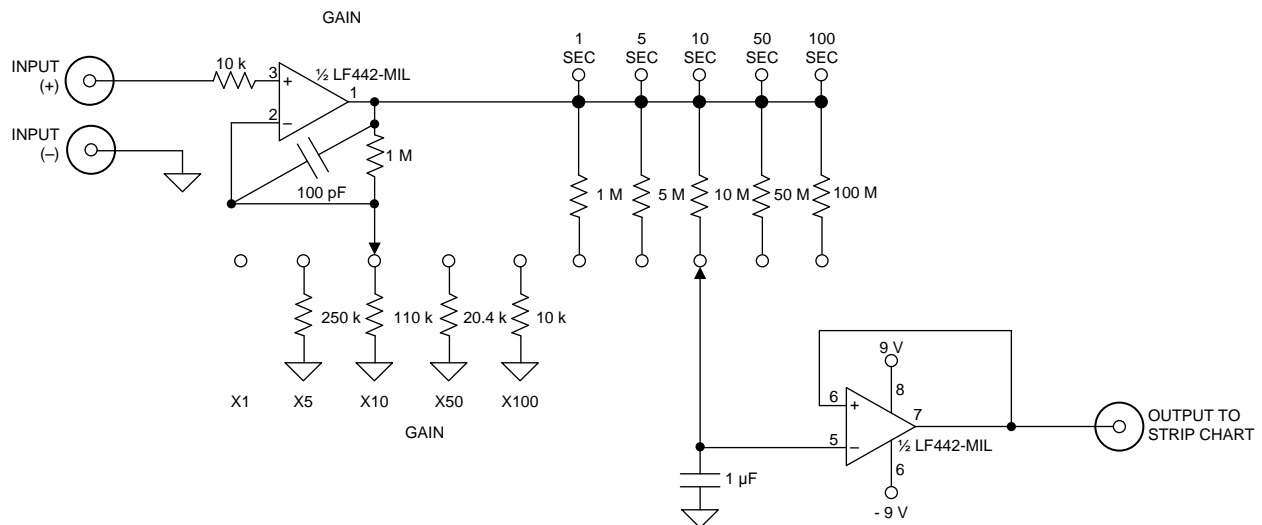
8.1 Application Information

The LF442-MIL uses a combination of careful layout design and internal trimming to ensure very low input offset voltage and voltage drift. The LF442-MIL also has a very low equivalent input noise voltage for a low power amplifier. The LF442-MIL should be used where low power dissipation and good electrical characteristics are the major considerations.

8.2 Typical Applications

1. Battery Powered Strip Chart Pre-amplifier
2. "No FET" Low Power V to F Converter
3. High Efficiency Crystal Oven Controller
4. Conventional Log Amplifier
5. Unconventional Log Amplifier

8.2.1 Battery Powered Strip Chart Pre-amplifier



Copyright © 2017, Texas Instruments Incorporated

Figure 28. Battery Powered Strip Chart Pre-amplifier

8.2.1.1 Design Requirements

Runs from 9V batteries ($\pm 9V$ supplies).

Fully set gain and time constant.

Battery powered supply allows direct plug-in interface to strip chart recorder without common-mode problems.

Typical Applications (continued)

8.2.1.2 Detailed Design Procedure

This device is a dual low power op amp with internally trimmed input offset voltages and JFET input devices (BI-FET II). These JFETs have large reverse breakdown voltages from gate to source and drain eliminating the need for clamps across the inputs. Therefore, large differential input voltages can easily be accommodated without a large increase in input current. The maximum differential input voltage is independent of the supply voltages. However, neither of the input voltages should be allowed to exceed the negative supply as this will cause large currents to flow which can result in a destroyed unit.

Exceeding the negative common-mode limit on either input will force the output to a high state, potentially causing a reversal of phase to the output. Exceeding the negative common-mode limit on both inputs will force the amplifier output to a high state. In neither case does a latch occur since raising the input back within the common-mode range again puts the input stage and thus the amplifier in a normal operating mode.

Exceeding the positive common-mode limit on a single input will not change the phase of the output; however, if both inputs exceed the limit, the output of the amplifier will be forced to a high state.

The amplifiers will operate with a common-mode input voltage equal to the positive supply; however, the gain bandwidth and slew rate may be decreased in this condition. When the negative common-mode voltage swings to within 3V of the negative supply, an increase in input offset voltage may occur.

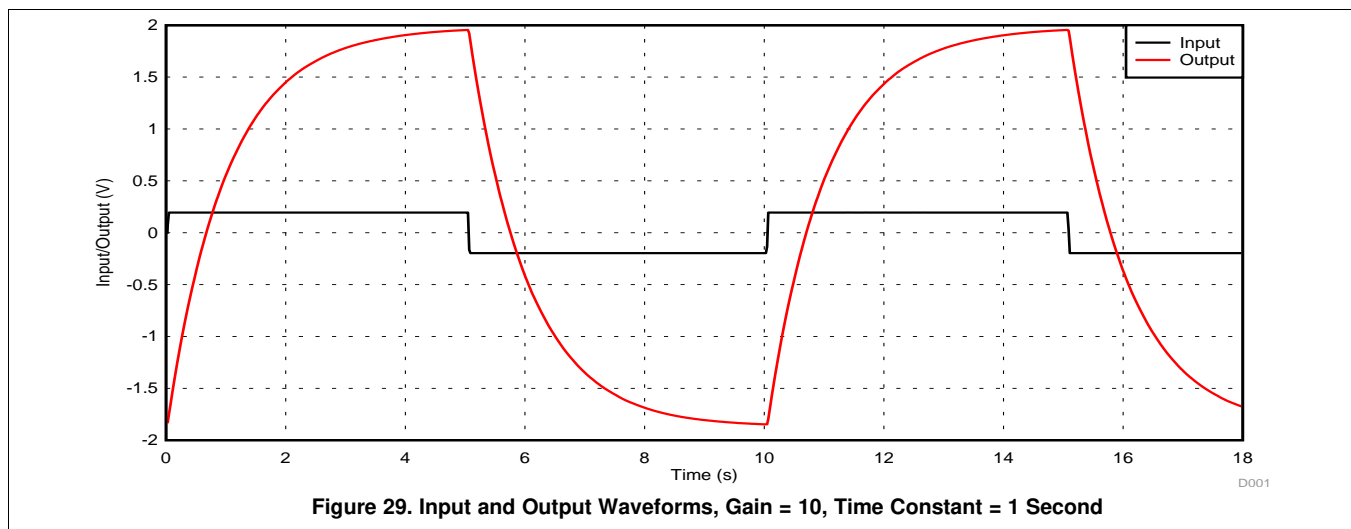
Each amplifier is individually biased to allow normal circuit operation with power supplies of $\pm 3.0V$. Supply voltages less than these may degrade the common-mode rejection and restrict the output voltage swing.

The amplifiers will drive a 10 k Ω load resistance to $\pm 10V$ over the full temperature range.

Precautions should be taken to ensure that the power supply for the integrated circuit never becomes reversed in polarity or that the unit is not inadvertently installed backwards in a socket as an unlimited current surge through the resulting forward diode within the IC could cause fusing of the internal conductors and result in a destroyed unit.

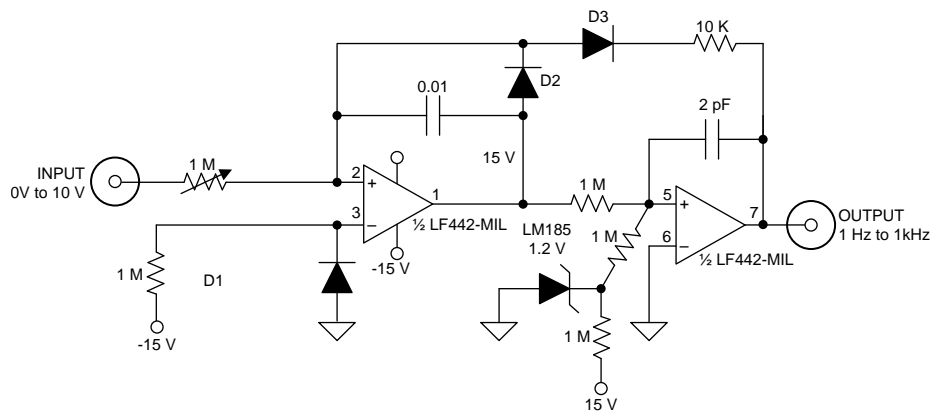
A feedback pole is created when the feedback around any amplifier is resistive. The parallel resistance and capacitance from the input of the device (usually the inverting input) to AC ground set the frequency of the pole. In many instances the frequency of this pole is much greater than the expected 3 dB frequency of the closed loop gain and consequently there is negligible effect on stability margin. However, if the feedback pole is less than approximately 6 times the expected 3 dB frequency a lead capacitor should be placed from the output to the input of the op amp. The value of the added capacitor should be such that the RC time constant of this capacitor and the resistance it parallels is greater than or equal to the original feedback pole time constant.

8.2.1.3 Application Curves



Typical Applications (continued)

8.2.2 "No FET" Low Power V to F Converter



Copyright © 2017, Texas Instruments Incorporated

Figure 30. "No FET" Low Power V to F Converter

8.2.2.1 Design Requirements

1. Trim 1M pot for 1 kHz full-scale output.
2. 15 mW power drain.
3. No integrator reset FET required.
4. Mount D1 and D2 in close proximity.
5. 1% linearity to 1 kHz.

8.2.2.2 Detailed Design Procedure

See Section 8.2.1.2.

8.2.2.3 Application Curves

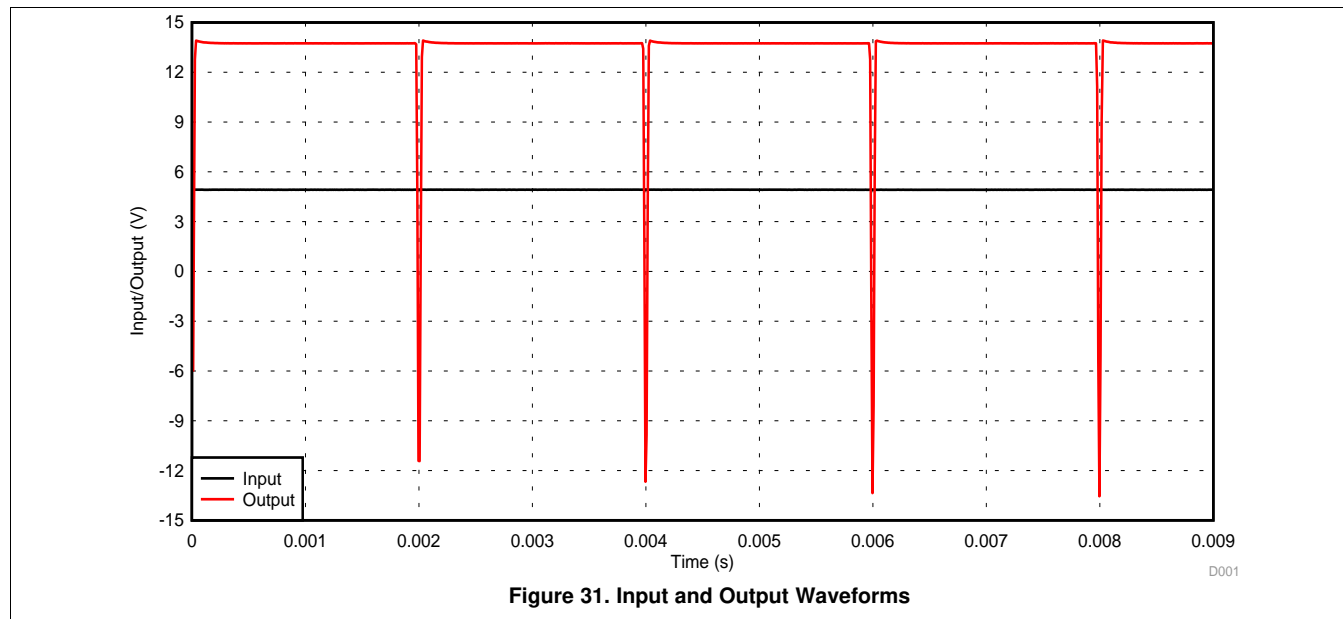


Figure 31. Input and Output Waveforms

Typical Applications (continued)

8.2.3 High Efficiency Crystal Oven Controller

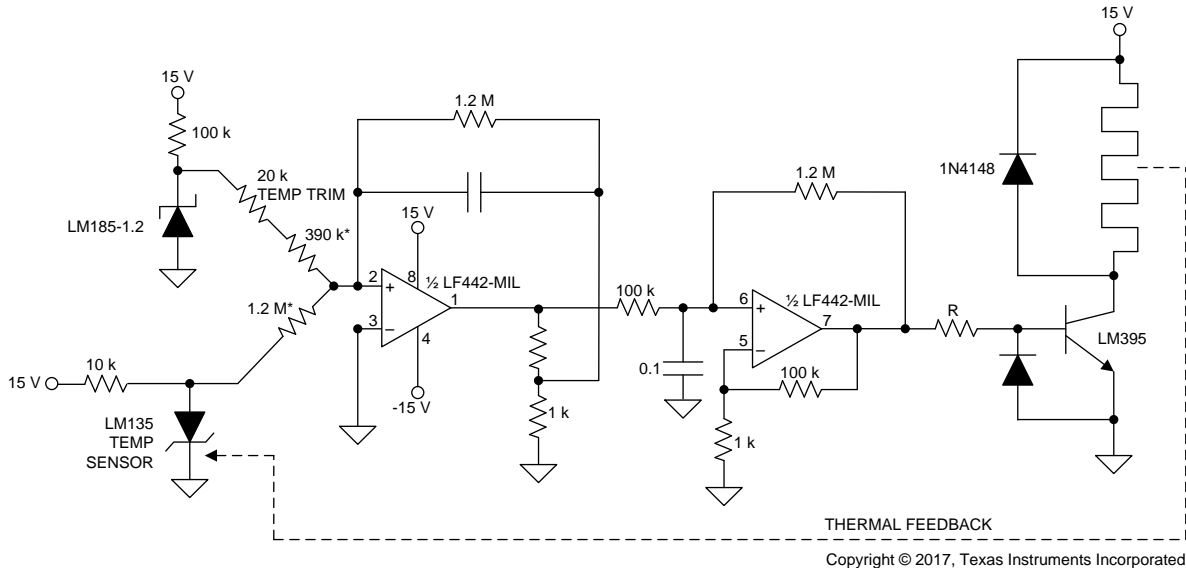


Figure 32. High Efficiency Crystal Oven Controller

8.2.3.1 Design Requirements

1. $T_{control} = 75^{\circ}C$
2. A1's output represents the amplified difference between the LM335 temperature sensor and the crystal oven's temperature.
3. A2, a free running duty cycle modulator, drives the LM395 to complete a servo loop.
4. Switched mode operation yields high efficiency.
5. 1% metal film resistor.

8.2.3.2 Detailed Design Procedure

See Section 8.2.1.2.

8.2.4 Conventional Log Amplifier

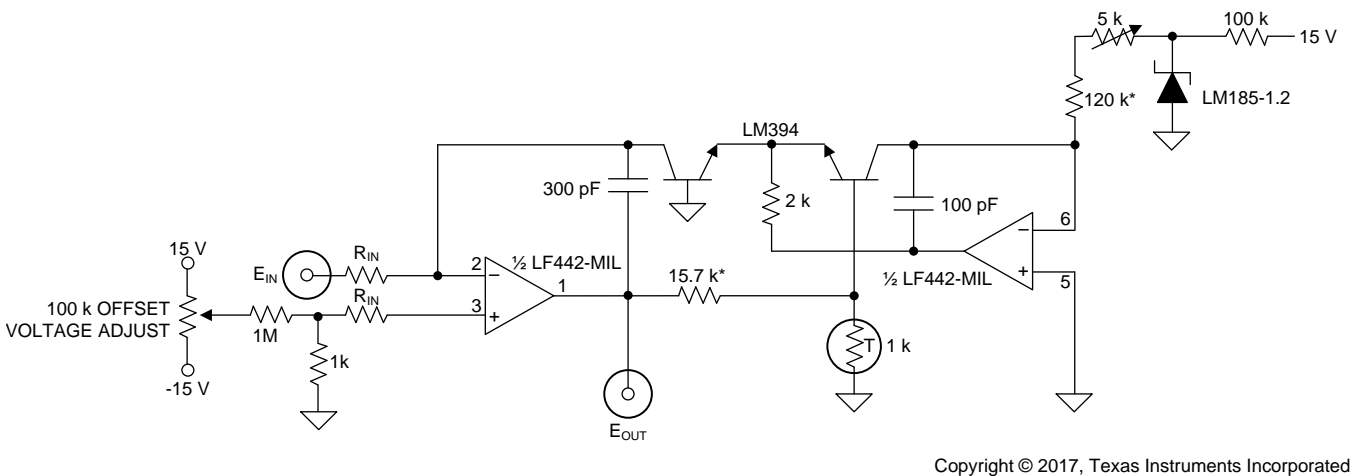


Figure 33. Conventional Log Amplifier

Typical Applications (continued)

$$E_{OUT} = - \left[\log_{10} \left(\frac{E_{IN}}{R_{IN}} \right) + 5 \right]$$

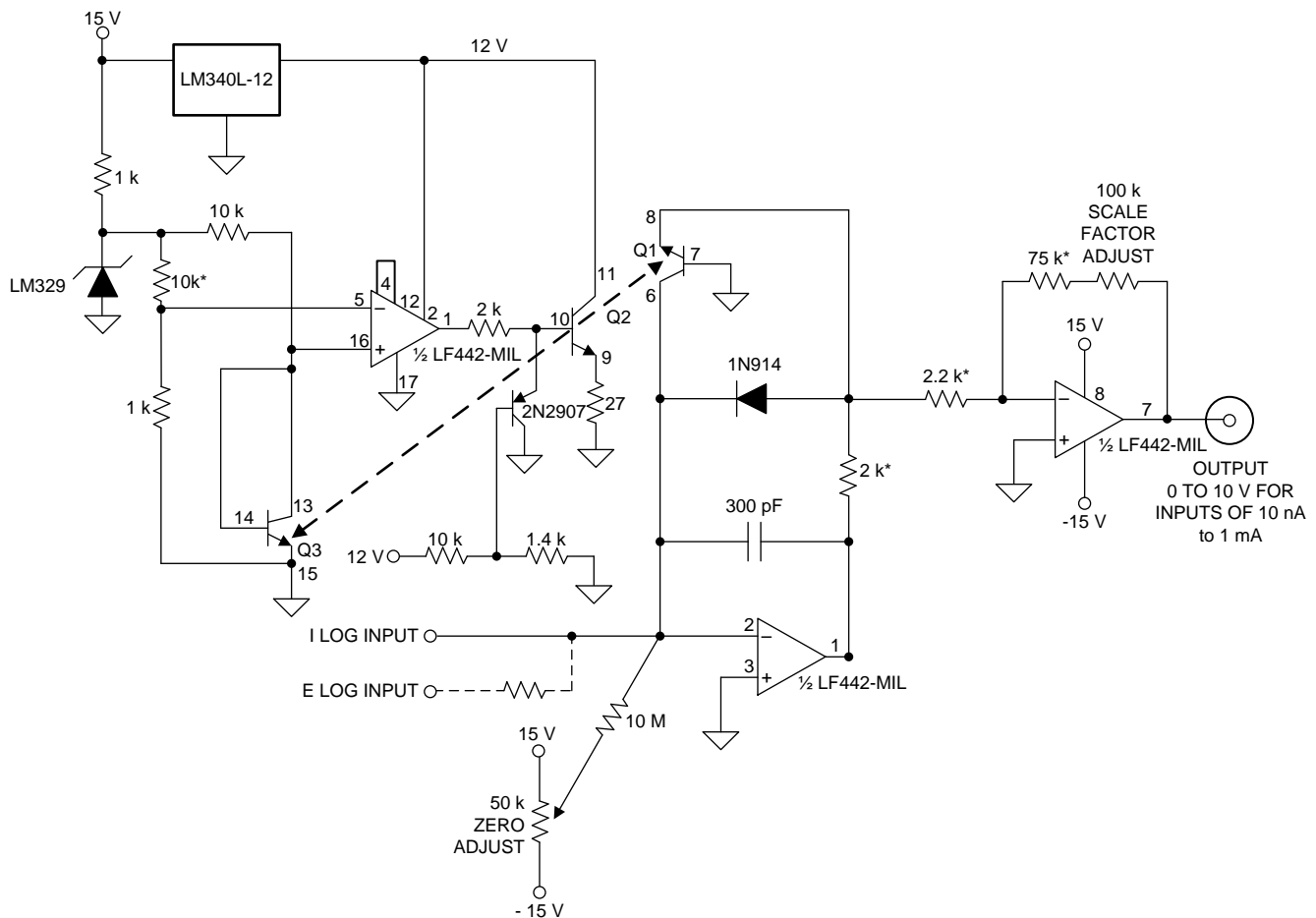
8.2.4.1 Design Requirements

1. R_T = Tel Labs type Q81.
2. Trim 5k for 10 μ A through the 5k–120k combination.
3. *1% film resistor

8.2.4.2 Detailed Design Procedure

See Section 8.2.1.2.

8.2.5 Unconventional Log Amplifier



Copyright © 2017, Texas Instruments Incorporated

Figure 34. Unconventional Log Amplifier

8.2.5.1 Design Requirements

1. Q1, Q2, Q3 are included on LM389 amplifier chip which is temperature-stabilized by the LM389 and Q2-Q3, which act as a heater-sensor pair.
2. Q1, the logging transistor, is thus immune to ambient temperature variation and requires no temperature compensation at all.

Typical Applications (continued)

8.2.5.2 Detailed Design Procedure

See Section 8.2.1.2.

9 Power Supply Recommendations

For proper operation, the power supplies must be properly decoupled. For decoupling the supply lines it is suggested that 0.1 μ F capacitors be placed as close as possible to the op amp power supply pins. The minimum power supply voltage is ± 5 V.

10 Layout

10.1 Layout Guidelines

As with most amplifiers, care should be taken with lead dress, component placement and supply decoupling in order to ensure stability. For example, resistors from the output to an input should be placed with the body close to the input to minimize “pick-up” and maximize the frequency of the feedback pole by minimizing the capacitance from the input to ground.

10.2 Layout Example

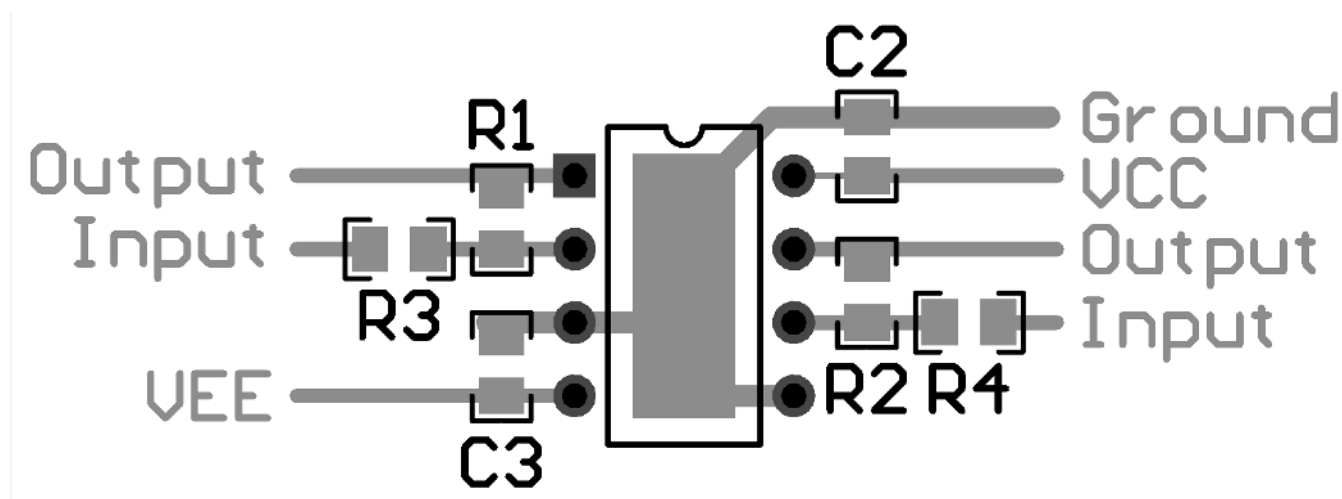


Figure 35. LF442-MIL Layout

11 Device and Documentation Support

11.1 Receiving Notification of Documentation Updates

To receive notification of documentation updates, navigate to the device product folder on ti.com. In the upper right corner, click on *Alert me* to register and receive a weekly digest of any product information that has changed. For change details, review the revision history included in any revised document.

11.2 Community Resources

The following links connect to TI community resources. Linked contents are provided "AS IS" by the respective contributors. They do not constitute TI specifications and do not necessarily reflect TI's views; see TI's [Terms of Use](#).

TI E2E™ Online Community *TI's Engineer-to-Engineer (E2E) Community*. Created to foster collaboration among engineers. At e2e.ti.com, you can ask questions, share knowledge, explore ideas and help solve problems with fellow engineers.

Design Support *TI's Design Support* Quickly find helpful E2E forums along with design support tools and contact information for technical support.

11.3 Trademarks

E2E is a trademark of Texas Instruments.
All other trademarks are the property of their respective owners.

11.4 Electrostatic Discharge Caution



This integrated circuit can be damaged by ESD. Texas Instruments recommends that all integrated circuits be handled with appropriate precautions. Failure to observe proper handling and installation procedures can cause damage.

ESD damage can range from subtle performance degradation to complete device failure. Precision integrated circuits may be more susceptible to damage because very small parametric changes could cause the device not to meet its published specifications.

11.5 Glossary

SLYZ022 — *TI Glossary*.

This glossary lists and explains terms, acronyms, and definitions.

12 Mechanical, Packaging, and Orderable Information

The following pages include mechanical, packaging, and orderable information. This information is the most current data available for the designated devices. This data is subject to change without notice and revision of this document. For browser-based versions of this data sheet, refer to the left-hand navigation.

PACKAGING INFORMATION

Orderable Device	Status (1)	Package Type	Package Drawing	Pins	Package Qty	Eco Plan (2)	Lead/Ball Finish (6)	MSL Peak Temp (3)	Op Temp (°C)	Device Marking (4/5)	Samples
LF442-MWA	ACTIVE	WAFERSALE	YS	0	1	Green (RoHS & no Sb/Br)	Call TI	Level-1-NA-UNLIM	-40 to 85		Samples
LF442AMH	ACTIVE	TO-99	LMC	8	500	TBD	Call TI	Call TI	-55 to 125	(LF442AMH, LF442A MH)	Samples
LF442AMH/NOPB	ACTIVE	TO-99	LMC	8	500	Green (RoHS & no Sb/Br)	Call TI	Level-1-NA-UNLIM	-55 to 125	(LF442AMH, LF442A MH)	Samples

(1) The marketing status values are defined as follows:

ACTIVE: Product device recommended for new designs.

LIFEBUY: TI has announced that the device will be discontinued, and a lifetime-buy period is in effect.

NRND: Not recommended for new designs. Device is in production to support existing customers, but TI does not recommend using this part in a new design.

PREVIEW: Device has been announced but is not in production. Samples may or may not be available.

OBSELETE: TI has discontinued the production of the device.

(2) **RoHS:** TI defines "RoHS" to mean semiconductor products that are compliant with the current EU RoHS requirements for all 10 RoHS substances, including the requirement that RoHS substance do not exceed 0.1% by weight in homogeneous materials. Where designed to be soldered at high temperatures, "RoHS" products are suitable for use in specified lead-free processes. TI may reference these types of products as "Pb-Free".

RoHS Exempt: TI defines "RoHS Exempt" to mean products that contain lead but are compliant with EU RoHS pursuant to a specific EU RoHS exemption.

Green: TI defines "Green" to mean the content of Chlorine (Cl) and Bromine (Br) based flame retardants meet JS709B low halogen requirements of <=1000ppm threshold. Antimony trioxide based flame retardants must also meet the <=1000ppm threshold requirement.

(3) MSL, Peak Temp. - The Moisture Sensitivity Level rating according to the JEDEC industry standard classifications, and peak solder temperature.

(4) There may be additional marking, which relates to the logo, the lot trace code information, or the environmental category on the device.

(5) Multiple Device Markings will be inside parentheses. Only one Device Marking contained in parentheses and separated by a "-" will appear on a device. If a line is indented then it is a continuation of the previous line and the two combined represent the entire Device Marking for that device.

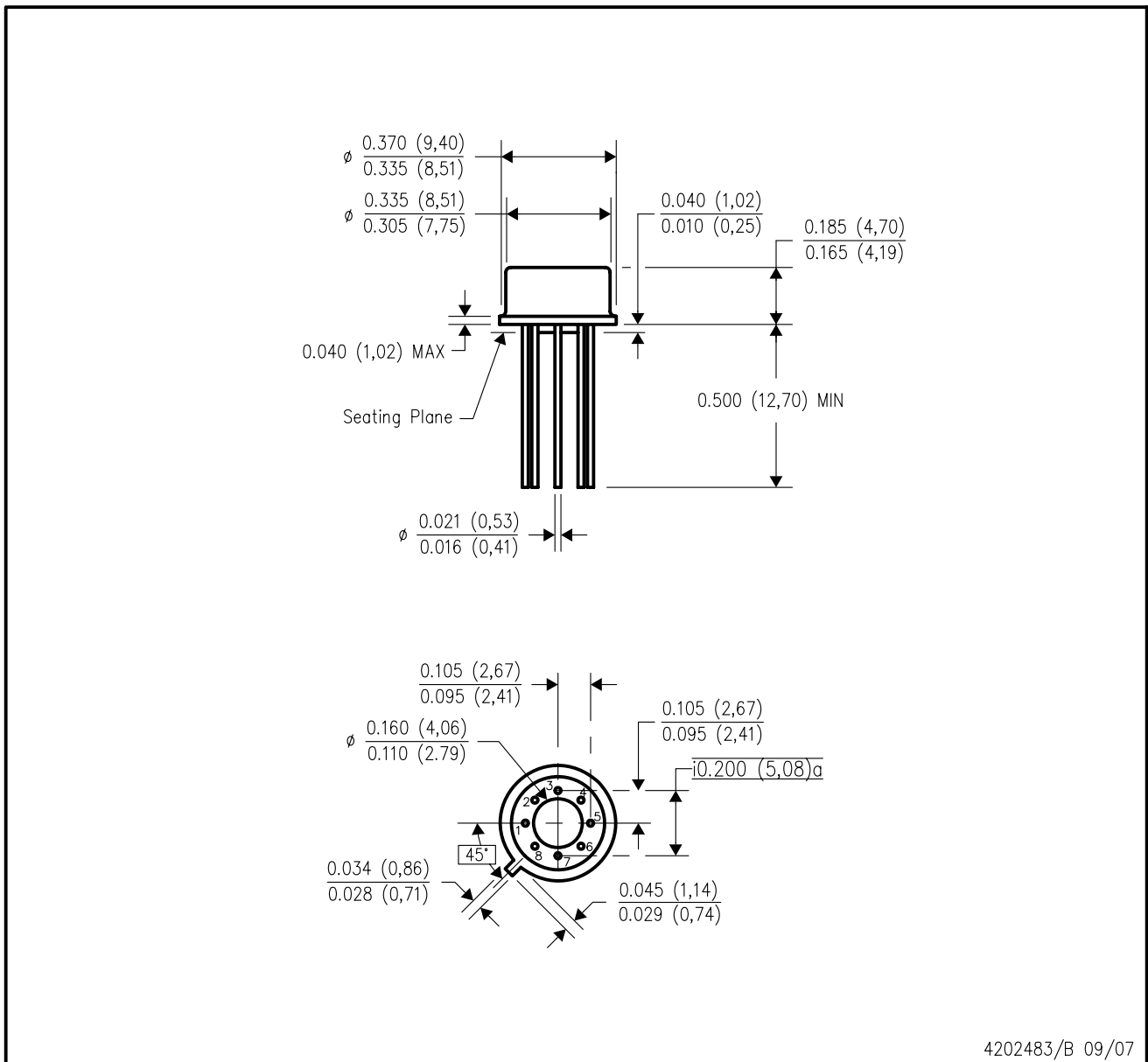
(6) Lead/Ball Finish - Orderable Devices may have multiple material finish options. Finish options are separated by a vertical ruled line. Lead/Ball Finish values may wrap to two lines if the finish value exceeds the maximum column width.

Important Information and Disclaimer:The information provided on this page represents TI's knowledge and belief as of the date that it is provided. TI bases its knowledge and belief on information provided by third parties, and makes no representation or warranty as to the accuracy of such information. Efforts are underway to better integrate information from third parties. TI has taken and continues to take reasonable steps to provide representative and accurate information but may not have conducted destructive testing or chemical analysis on incoming materials and chemicals. TI and TI suppliers consider certain information to be proprietary, and thus CAS numbers and other limited information may not be available for release.

In no event shall TI's liability arising out of such information exceed the total purchase price of the TI part(s) at issue in this document sold by TI to Customer on an annual basis.

LMC (O-MBCY-W8)

METAL CYLINDRICAL PACKAGE



- NOTES:
- A. All linear dimensions are in inches (millimeters).
 - B. This drawing is subject to change without notice.
 - C. Leads in true position within 0.010 (0,25) R @ MMC at seating plane.
 - D. Pin numbers shown for reference only. Numbers may not be marked on package.
 - E. Falls within JEDEC MO-002/TO-99.

IMPORTANT NOTICE AND DISCLAIMER

TI PROVIDES TECHNICAL AND RELIABILITY DATA (INCLUDING DATASHEETS), DESIGN RESOURCES (INCLUDING REFERENCE DESIGNS), APPLICATION OR OTHER DESIGN ADVICE, WEB TOOLS, SAFETY INFORMATION, AND OTHER RESOURCES "AS IS" AND WITH ALL FAULTS, AND DISCLAIMS ALL WARRANTIES, EXPRESS AND IMPLIED, INCLUDING WITHOUT LIMITATION ANY IMPLIED WARRANTIES OF MERCHANTABILITY, FITNESS FOR A PARTICULAR PURPOSE OR NON-INFRINGEMENT OF THIRD PARTY INTELLECTUAL PROPERTY RIGHTS.

These resources are intended for skilled developers designing with TI products. You are solely responsible for (1) selecting the appropriate TI products for your application, (2) designing, validating and testing your application, and (3) ensuring your application meets applicable standards, and any other safety, security, or other requirements. These resources are subject to change without notice. TI grants you permission to use these resources only for development of an application that uses the TI products described in the resource. Other reproduction and display of these resources is prohibited. No license is granted to any other TI intellectual property right or to any third party intellectual property right. TI disclaims responsibility for, and you will fully indemnify TI and its representatives against, any claims, damages, costs, losses, and liabilities arising out of your use of these resources.

TI's products are provided subject to TI's Terms of Sale (www.ti.com/legal/termsofsale.html) or other applicable terms available either on ti.com or provided in conjunction with such TI products. TI's provision of these resources does not expand or otherwise alter TI's applicable warranties or warranty disclaimers for TI products.

Mailing Address: Texas Instruments, Post Office Box 655303, Dallas, Texas 75265
Copyright © 2019, Texas Instruments Incorporated