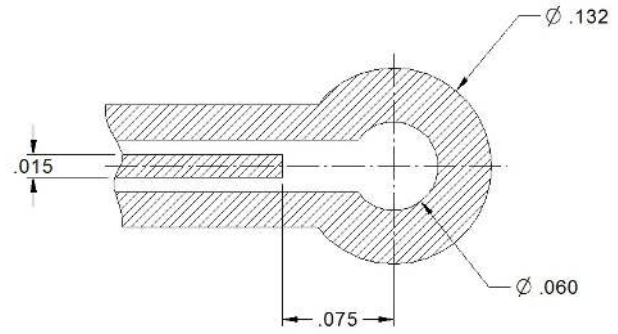
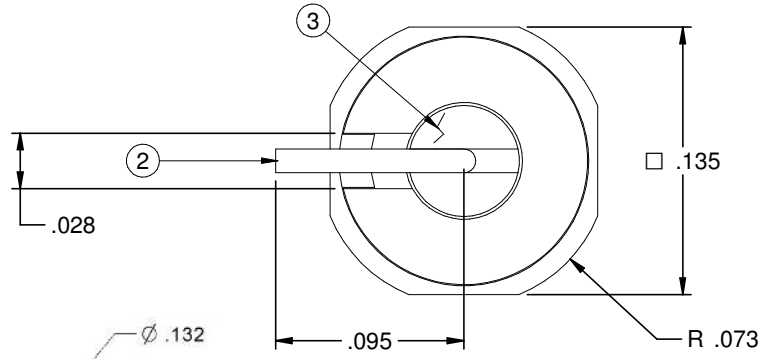
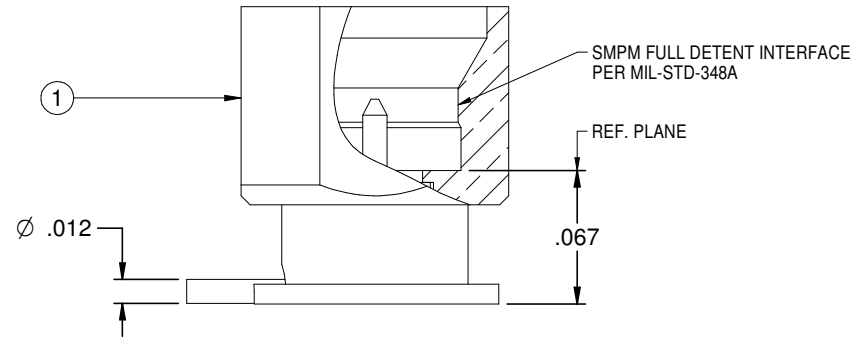
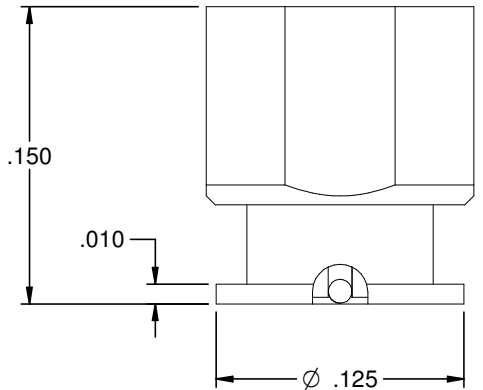
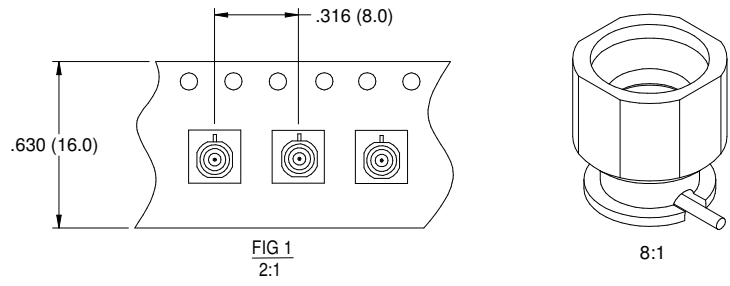


REV	ECO	DATE
001	ECO-17-0028	2017/09/28
002	ECO-17-0031	2017/11/6
003	ECO-18-0001	2018/03/19

PART NUMBER	PACKAGING	ITEM ① BODY	ITEM ② CONTACT	ITEM ③ INSULATOR
125-0701-211	BULK PACK 5 PCS/BAG	BRASS GOLD PL .00003 MIN OVER NICKEL PL.00005 MIN OVER COPPER PL.00005 MIN	BERYLLIUM COPPER GOLD PL .00005 MIN OVER NICKEL PL.00005 MIN OVER COPPER PL.00005 MIN	TEFLON
125-0701-212	TAPE AND REEL 1000 PCS PER FIG1			



SPECIFICATION:

ELECTRICAL:
 IMPEDANCE: 50 OHMS
 FREQUENCY RANGE: 0-20 GHz
 VSWR: DEPENDANT ON APPLICATION
 WORKING VOLTAGE: 325 VRMS MAX AT SEA LEVEL
 DIELECTRIC WITHSTANDING VOLTAGE: 325 VRMS MIN AT SEA LEVEL
 INSULATION RESISTANCE: 5000 MEGOHM MIN
 CONTACT RESISTANCE:
 CENTER CONTACT - INITIAL 6 MILLIOHM MAX, AFTER ENVIRONMENTAL NOT APPLICABLE
 OUTER CONDUCTOR - INITIAL 2 MILLIOHM MAX, AFTER ENVIRONMENTAL NOT APPLICABLE
 RF LEAKAGE: NOT APPLICABLE

MECHANICAL:
 ENGAGEMENT FORCE: 4.5 LBS TYPICAL
 DISENGAGEMENT FORCE: 6.5 LBS TYPICAL
 DURABILITY: 100 CYCLES MIN

ENVIRONMENTAL:
 OPERATING TEMPERATUR: -65 TO 165°C
 THERMAL SHOCK: MIL-STD-202, METHOD 107, CONDITION B
 MECHANICAL SHOCK: MIL-STD-202, METHOD 213, CONDITION I
 CORROSION: MIL-STD-202, METHOD 101
 VIBRATION: MIL-STD-202, METHOD 204
 MOISTURE RESISTANCE: MIL-STD-202, MEHTOD 106, EXCEPT STEP 7B

	Model No. 125-0701-211/220	JOHNSON	
	RoHS2 <input checked="" type="checkbox"/> 2011/65/EU <small>UNLESS OTHERWISE SPECIFIED: 01/19/18/2017</small> .XX ±.01 .XXX ±.003 .XXXX ±.0010 ANGLES ±100°	Title: SMPM MALE FULL DETENT PCB SURFACE MOUNT .150 HEIGHT Drawing No. 125-0701-211/220 Date: 5-15-2014 Size: B DO NOT SCALE DRAWING	Rev. 3 Worksheeting Std: / Sheet 1 of 1