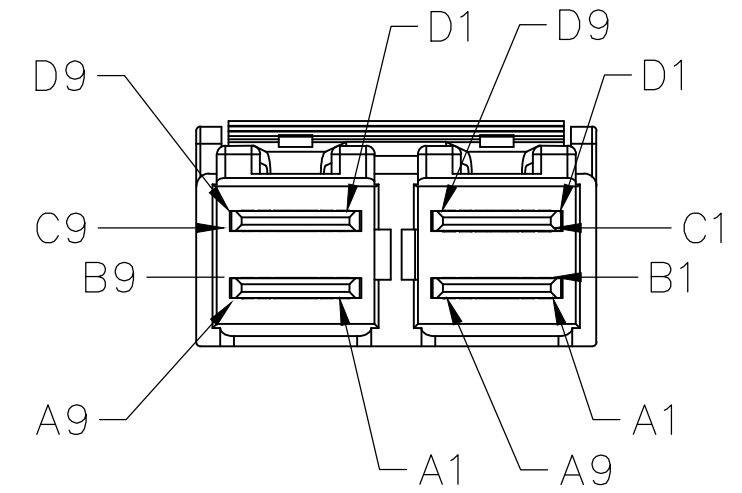
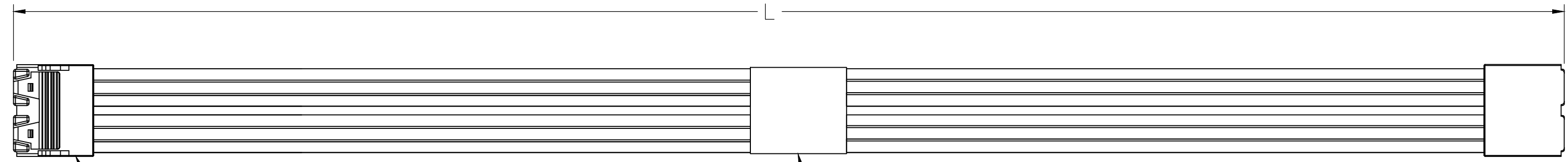
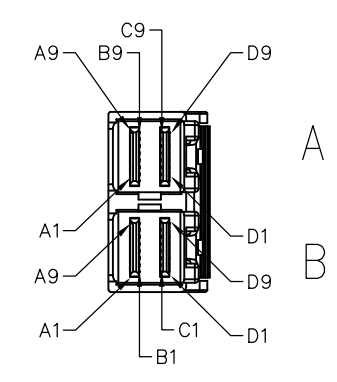
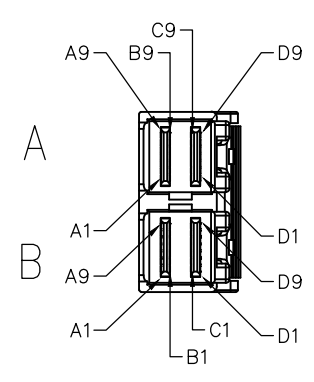
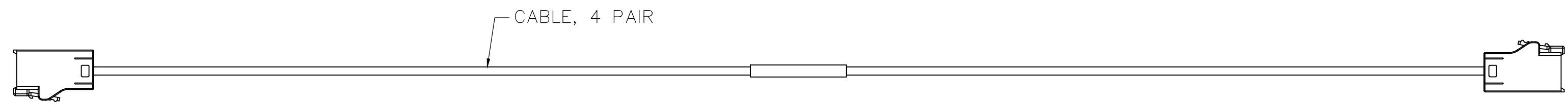


THIS DRAWING IS UNPUBLISHED. RELEASED FOR PUBLICATION
 © COPYRIGHT - By - ALL RIGHTS RESERVED.

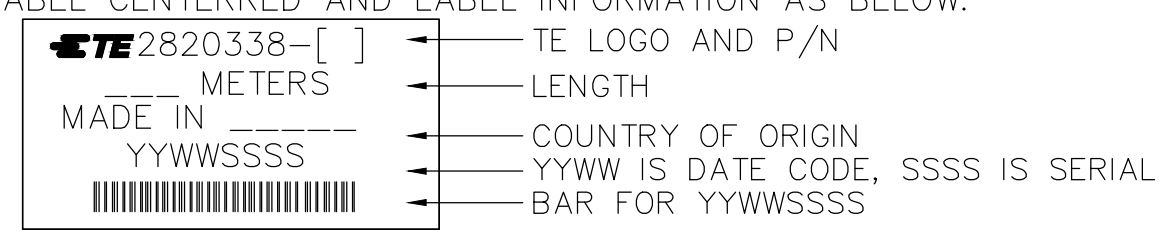
LOC	DIST	REVISIONS			
P	LTR	DESCRIPTION	DATE	DWN	APVD
GP	00	A1	NOT LOW HALOGEN	15MAR2018	KY DZ



1. ASSEMBLY TO BE 100% TESTED FOR CONTINUITY, SHORTS, AND OPENS, CABLES ASSEMBLYS ARE ALSO TO BE 100% TESTED FOR SIGNAL INTEGRITY, TO SAS 3.0 REQUIREMENTS.

2. ROHS AND REACH COMPLIANCE: PRODUCT AND PROCESSING MEETS REQUIREMENTS OF TE SPECIFICATION TEC-138-702.

3. LABEL CENTERED AND LABEL INFORMATION AS BELOW:



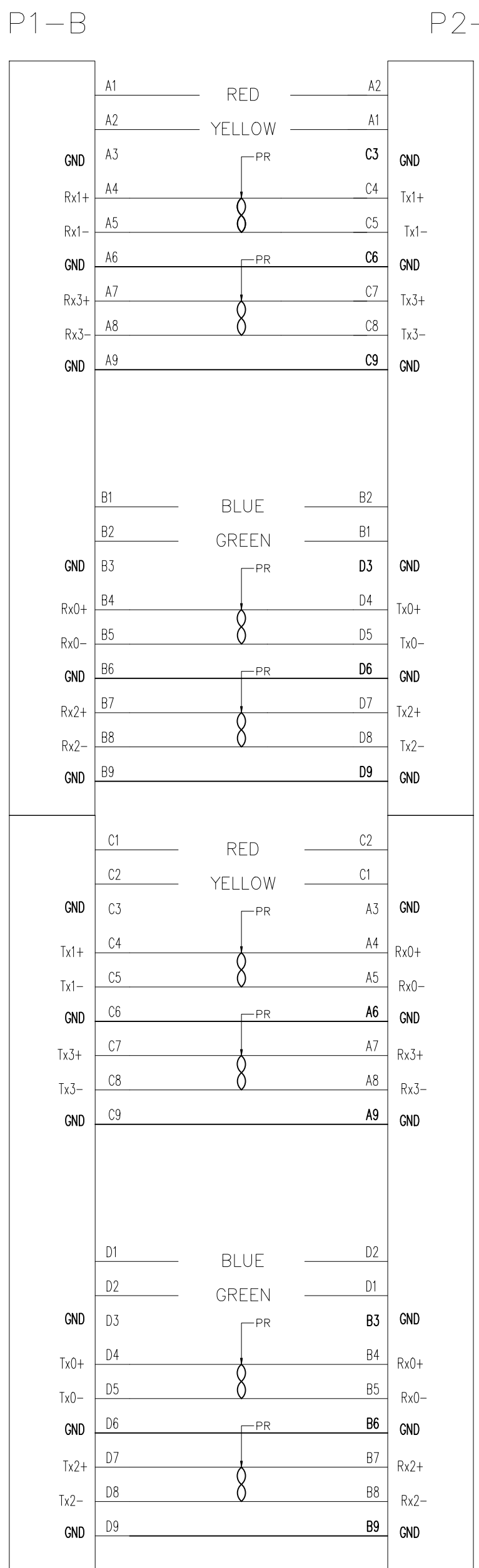
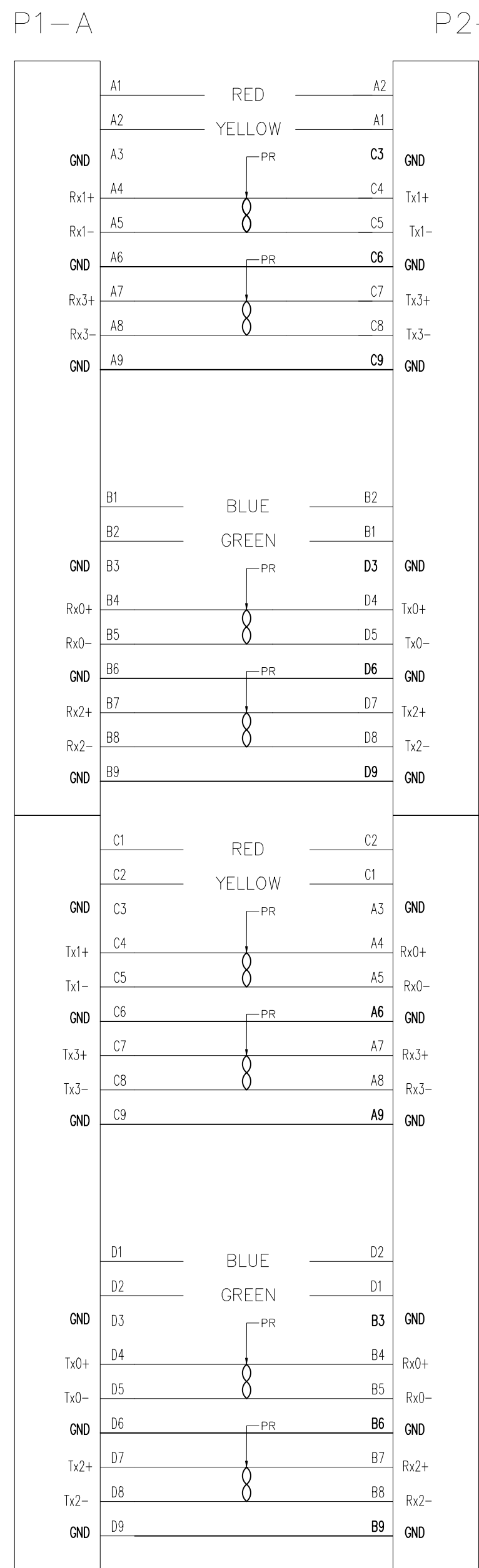
4. SEE SHEET #2 FOR WIRING SCHEMATIC.

500 $\begin{smallmatrix} +25 \\ -0 \end{smallmatrix}$	2820338-2
300 $\begin{smallmatrix} +25 \\ -0 \end{smallmatrix}$	2820338-1
"L"[MM]	TE P/N

THIS DRAWING IS A CONTROLLED DOCUMENT.		DWN	16/JUN/2014	TE Connectivity C/A, INTERNAL HD MINI SAS, STR TO STR 100 OHMS, 8X	
DIMENSIONS:		CHK	16/JUN/2014		
mm		APVD	16/JUN/2014		
		PRODUCT SPEC			
TOLERANCES UNLESS OTHERWISE SPECIFIED:		APPLICATION SPEC		SIZE	RESTRICTED TO
0 PLC	± -	WEIGHT		A2	
1 PLC	± -	MATERIAL		00779	
2 PLC	± -	FINISH		C=2820338	
3 PLC	± -	CUSTOMER DRAWING		SCALE	
4 PLC	± -			N.T.S.	
ANGLES	± -			SHEET	
				1 of 2	
				REV	A1

THIS DRAWING IS UNPUBLISHED. RELEASED FOR PUBLICATION
 © COPYRIGHT - By - ALL RIGHTS RESERVED.

LOC		DIST		REVISIONS			
GP	00	P	LTR	DESCRIPTION	DATE	DWN	APVD
		-		SEE SHEET 1	-	-	-



WIRING PATTERN

THIS DRAWING IS A CONTROLLED DOCUMENT.		DWN	16/JUN/2014	 TE Connectivity			
DIMENSIONS: mm		CHK	16/JUN/2014				
TOLERANCES UNLESS OTHERWISE SPECIFIED:		APVD	16/JUN/2014				
0 PLC ± - 1 PLC ± - 2 PLC ± - 3 PLC ± - 4 PLC ± - ANGLES ± -		NAME	C/A, INTERNAL HD MINI SAS, STR TO STR 100 OHMS, 8X				
MATERIAL	FINISH	WEIGHT	SCALE	SIZE	CAGE CODE	DRAWING NO	RESTRICTED TO
-	-	-	N.T.S.	A2	00779	C=2820338	-
CUSTOMER DRAWING				SCALE	SHEET	REV	
				N.T.S.	2 of 2	A1	

2820338