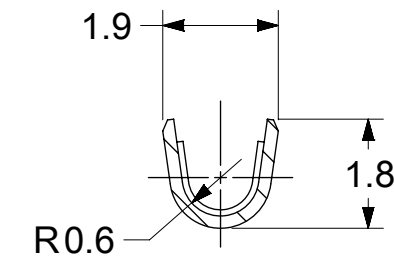
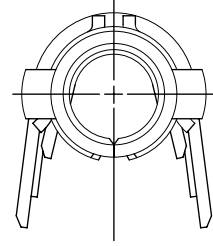
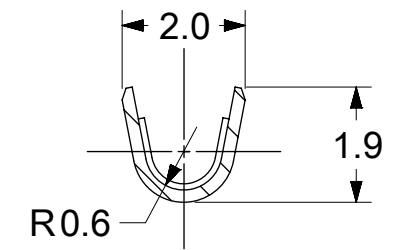


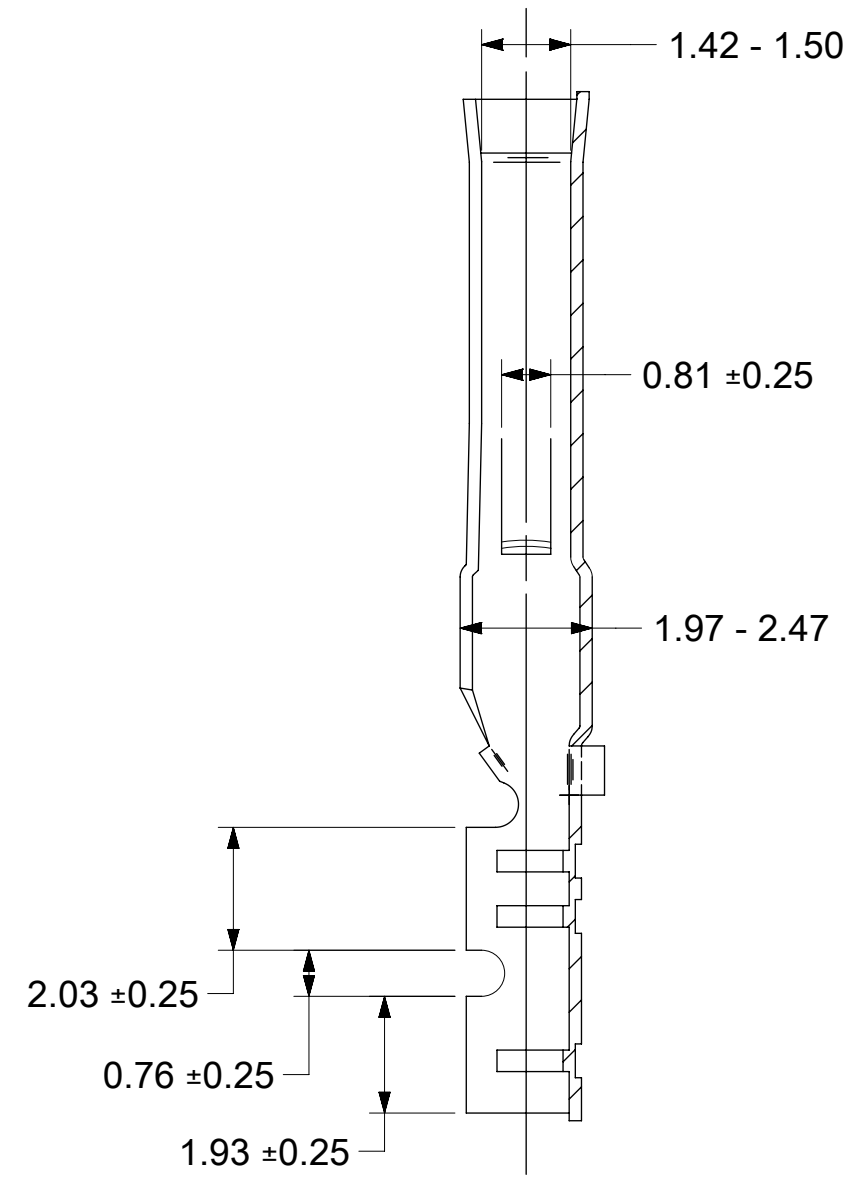
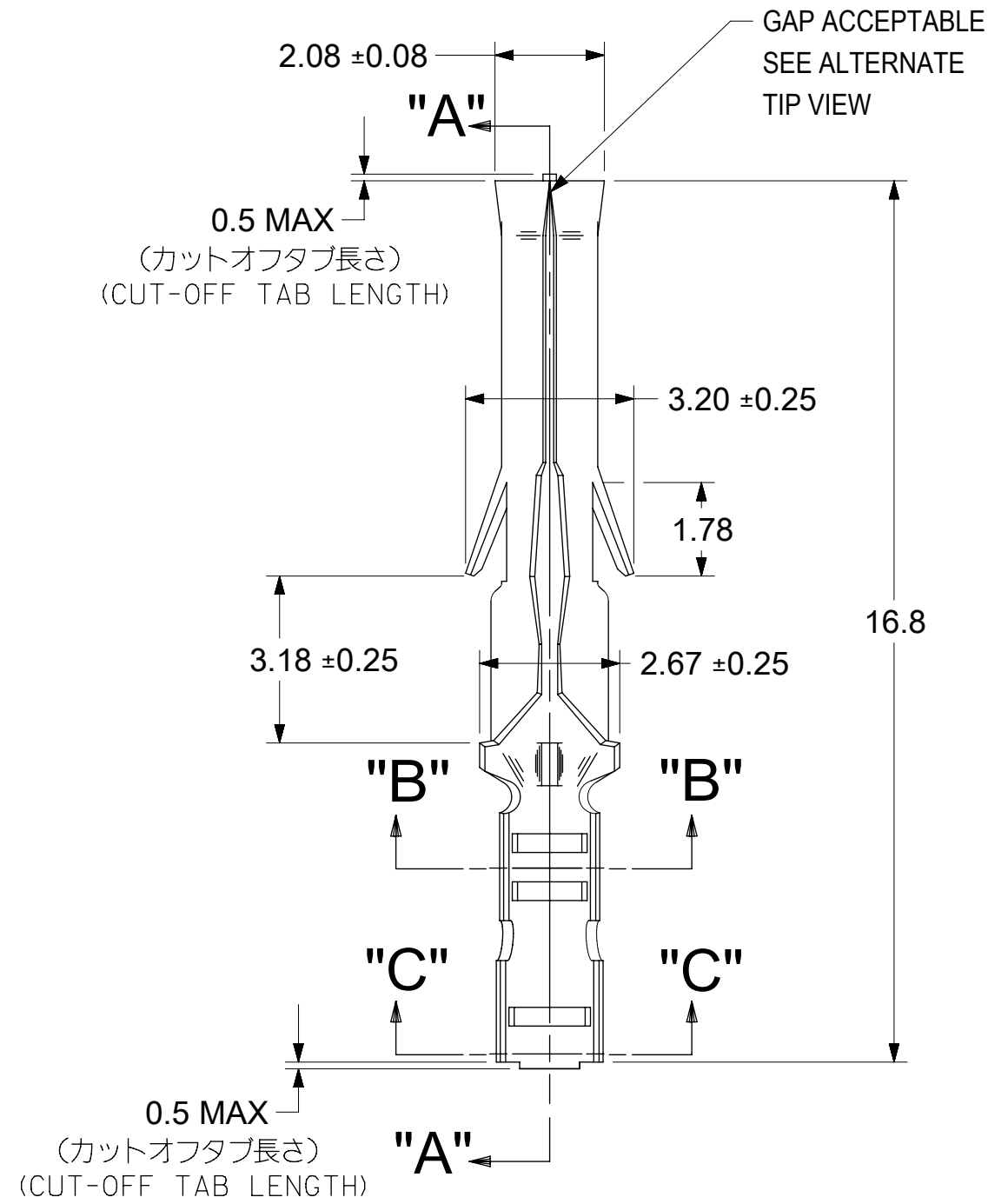
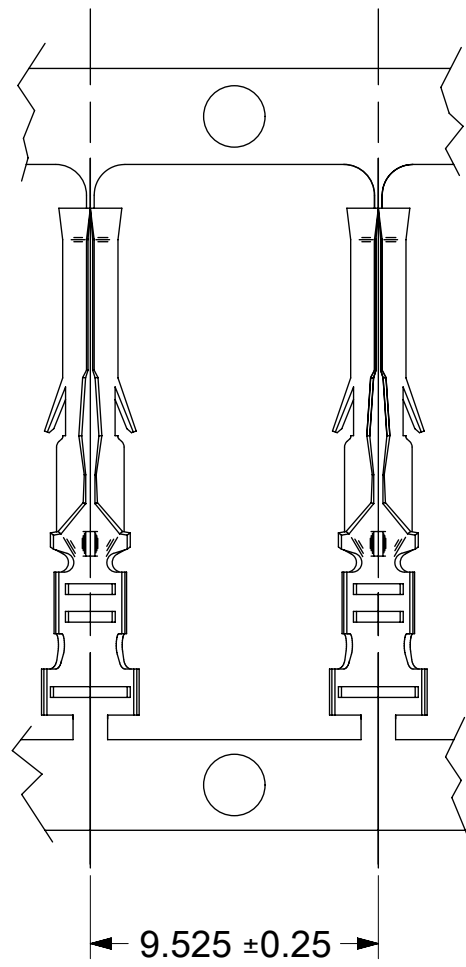
ALTERNATE TIP GEOMETRY
SEE NOTE 7



SECT. "B-B"



SECT. "C-C"



SECT. "A-A"

NOTES:

1. MATERIAL: BRASS
2. FINISHES: SEE CHART
3. PRODUCT SPECIFICATION: PS-02-06
4. PACKAGE INFORMATION: CHAIN: 18550000-PK
CHAIN WITH INTERLEAF: 18550001-PK
5. TERMINAL FOR USE WITH (1.57)/.062 DIA. SERIES HOUSINGS AND WILL ACCEPT 22 THRU 28 AWG WIRE WITH 1.1-1.5 INSULATION DIAMETER.
6. PARTS CONFORM TO CLASS B REQUIREMENTS OF COSMETIC SPECIFICATION PS-45499-002.
7. TIP GEOMETRY IS TOOL DEPENDENT. EITHER GEOMETRY IS ACCEPTABLE.

一般公差 : ±0.4
GENERAL TOLERANCES: ±0.4

0.9 μm MIN. TIN OVER 0.5 μm MIN. COPPER	46999-0998	1855T1	CHAIN WITH INTERLEAF
	39-00-0338	1855T	CHAIN
PLATING	EDP. NO.	ENG. NO.	FORM

THIS DRAWING CONTAINS INFORMATION THAT IS PROPRIETARY TO MOLEX ELECTRONIC TECHNOLOGIES, LLC AND SHOULD NOT BE USED WITHOUT WRITTEN PERMISSION

DIMENSION UNITS	SCALE	CURRENT REV DESC: ADD 46999-0998							
mm	8:1								
GENERAL TOLERANCES (UNLESS SPECIFIED)		EC NO: 742179		CRIMP TERMINAL, FEMALE (1.57)/.062 DIA., BRASS FOR 24 THRU 30 GA. WIRE					
ANGULAR TOL ± °		DRWN: MKIPPER 2023/03/02							
4 PLACES ±		CHK'D: MKIPPER 2023/03/13		PRODUCT CUSTOMER DRAWING					
3 PLACES ±		APPR: FSMITH 2023/03/13							
2 PLACES ±		INITIAL REVISION:		DOCUMENT NUMBER 18550001-SD					
1 PLACE ±		DRWN: MKIPPER 2019/03/07							
0 PLACES ±		APPR: FSMITH 2020/06/05		DOC TYPE		DOC PART		REVISION	
DRAFT WHERE APPLICABLE MUST REMAIN WITHIN DIMENSIONS		THIRD ANGLE PROJECTION		DRAWING		SERIES		MATERIAL NUMBER	
				C-SIZE		1855		SEE TABLE	
材料 MATERIAL 黄銅 BRASS 0.2 t		適用電線範圍 WIRE RANGE AWG#22-#28		CUSTOMER		SHEET NUMBER		1 OF 1	
仕上げ FINISH		被覆外径 INS. RANGE φ 1.1~1.5		GENERAL MARKET					

DOCUMENT STATUS	P1	RELEASE DATE	2023/03/13	23:35:26
-----------------	----	--------------	------------	----------