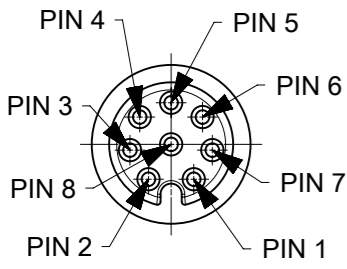
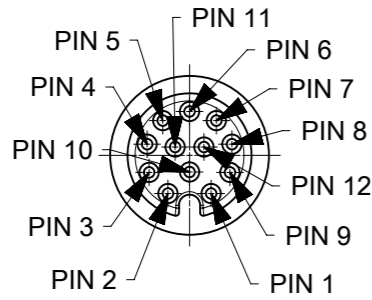


**8 POLE  
M12 FEMALE**



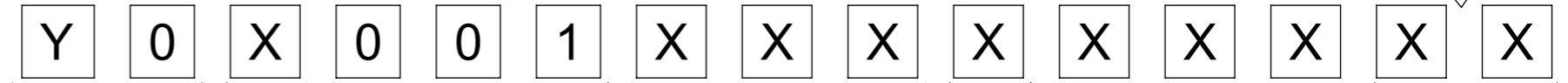
PIN	WIRE COLOR	PIN	WIRE COLOR
1	WH	5	GY
2	BN	6	PK
3	GN	7	BU
4	YE	8	RD

**12 POLE  
M12 FEMALE**



PIN	WIRE COLOR	PIN	WIRE COLOR
1	WH	7	BU
2	BN	8	RD
3	GN	9	BK
4	YE	10	VT
5	GY	11	GY/PK
6	PK	12	RD/BU

**PART No MATRIX**



Y0= ULTRA LOCK 2.0  
SINGLE ENDED

POLES:  
8 = 8 POLES  
C = 12 POLES

HEADER:  
001= FEMALE RA

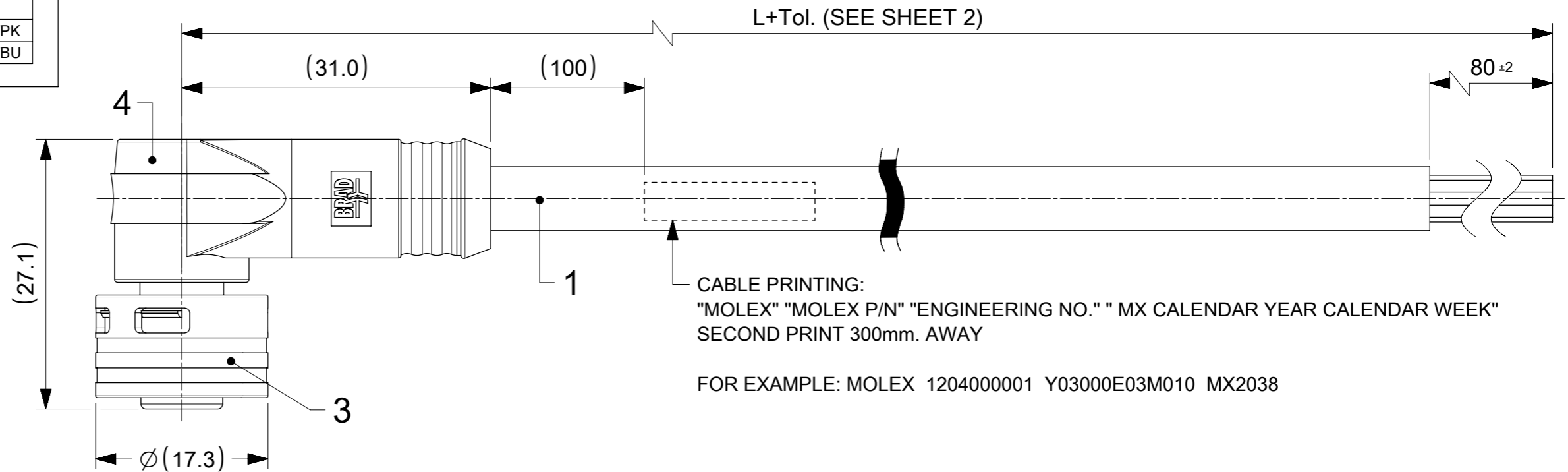
CABLE:  
E02 - 8x0.25 PVC BLACK  
B41 - 8x0.25 WSOR BLACK  
H08 - 8x0.25 PUR-LS0H BLACK  
H45 - 12x0.14 PUR BLACK

UNIT:  
M = METER  
F = FEET  
C = CENTIMETER  
T = 10M

LENGTH:  
EXAMPLE:  
010 = 1 m  
050 = 5 m  
100 = 10 m

**OPTIONS**

OVERMOLD:  
BLANK = STANDARD BRAD:  
-YELLOW IN THE USA  
-BLACK IN EUROPE  
A = GREY  
E = RED  
G = BLACK  
Y = YELLOW  
H = STD. COLOUR WITH TWO  
I/D-TAG CARRIERS

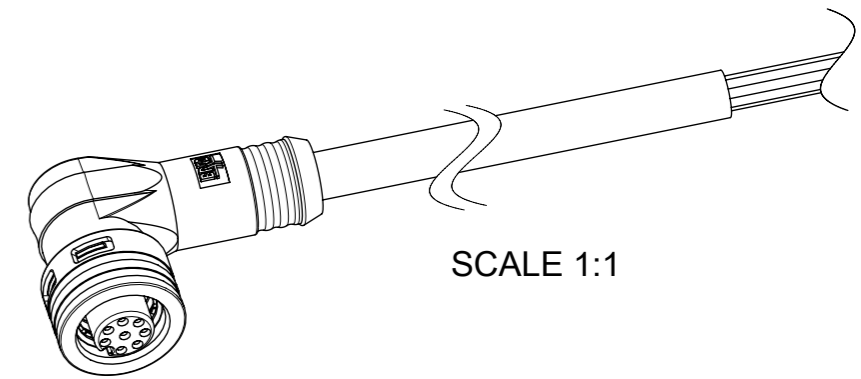


CABLE PRINTING:  
"MOLEX" "MOLEX P/N" "ENGINEERING NO." " MX CALENDAR YEAR CALENDAR WEEK"  
SECOND PRINT 300mm. AWAY

FOR EXAMPLE: MOLEX 1204000001 Y03000E03M010 MX2038

**NOTES:**

- PARTS ACC. TO PRODUCT SPECIFICATION  
1204000001 PS P10 AND IN STYLE OF IEC-61076-2-010
- BOM & PART LIST - SEE SHEET 2
- RATED VOLTAGE :  
8, 12 CONTACTS: 30V AC OR DC  
RATED CURRENT:  
8 CONTACTS: 2A  
12 CONTACTS: 1.5A,  
DERATING HAS TO BE CONSIDERED  
OVERVOLTAGE CATEGORY: 3  
POLLUTION DEGREE: 3, ONLY IN MATED AND LOCKED CONDITION
- PROTECTION CLASS: IP 67, ONLY IN MATED AND LOCKED CONDITION
- TEMPERATURE RANGE:  
TEMPERATURE PLUG/SOCKET: -40 °C TO +85 °C  
TEMPERATURE CABLE: SEE CABLE LIST
- MECHANICAL OPERATIONS: 100 CYCLES
- MATES WITH ULTRA-LOCK M12 MALE RECEPTACLES
- PACKAGING: THE CORDSETS ARE SINGLE PACKED IN PLASTIC BAGS AND DELIVERED IN CARTON BOXES
- UL CSA FILE REGISTRATION PENDING



FUNCTIONAL SYMBOLS	THIS DRAWING CONTAINS INFORMATION THAT IS PROPRIETARY TO MOLEX ELECTRONIC TECHNOLOGIES, LLC AND SHOULD NOT BE USED WITHOUT WRITTEN PERMISSION		CURRENT REV DESC: NOTES AND CABLE LIST UPDATED		
	$\nabla_A = 0$ $\nabla_E = 0$ $\nabla_V = 0$	DIMENSION UNITS <b>mm</b>	SCALE <b>2:1</b>	GENERAL TOLERANCES (UNLESS SPECIFIED) ANGULAR TOL ± 1.0°	
DIVISIONAL SYMBOLS	4 PLACES ±	3 PLACES ±	2 PLACES ± 0.05	1 PLACE ± 0.3	PRODUCT CUSTOMER DRAWING
	0 PLACES ± 0.5	INITIAL REVISION: DRWN: RSCHIEBER 2020/09/16 APPR: RSILLER 2020/09/29		DOCUMENT NUMBER <b>1204000300</b>	DOC TYPE DOC PART REVISION PSD 000 B3
DRAFT WHERE APPLICABLE MUST REMAIN WITHIN DIMENSIONS		THIRD ANGLE PROJECTION 	DRAWING <b>A3-SIZE</b>	SERIES <b>120400</b>	MATERIAL NUMBER SEE SHEET 2
DOCUMENT STATUS P1		RELEASE DATE 2023/01/31 08:21:34	CUSTOMER GENERAL MARKET	SHEET NUMBER 1 OF 2	

