

CONNECT AND PROTECT

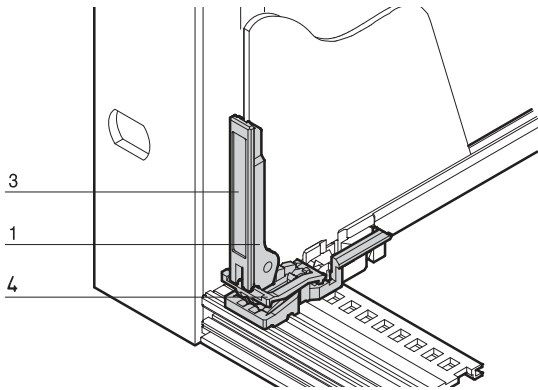
PCB Accessories


nvent

SCHROFF

Modules – PCB accessories

PCB HANDLE



BPA45909

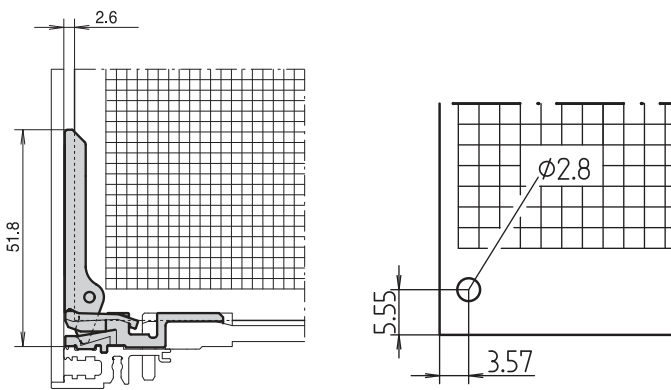
- For europacPRO, multipacPRO, ratiopacPRO, propacPRO and compacPRO
- Mounted behind the front panel
- Insertion and extraction
- Can be labelled
- In accordance with IEC 60297-3-102

ORDER INFORMATION

| Item | Description | Material | Colour | Qty/PU | Part no. |
|------|---|-------------------------------|------------|--------|------------------|
| 1 | PCB handle | PBT, UL 94 V-0 | red | 10 | 24560-378 |
| 3 | Identification strip (1 sheet = 438 pieces) | Polyester film, self-adhesive | white/matt | 1 | 60817-228 |

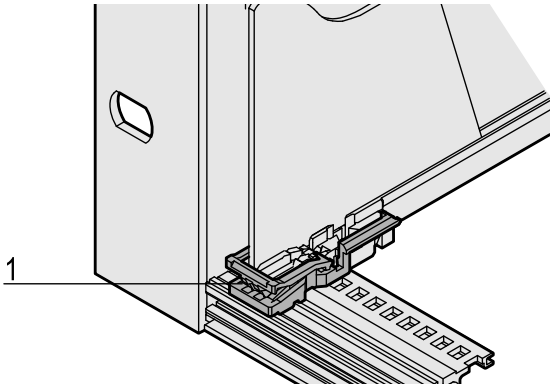
NOTE

- Minimum spacing of guide rail 3 HP
- For board thickness 1.6 mm
- Please order PCB retainer separately
- Can only be used together with guide rail for accessories



BPA45910 BPA45910

PCB RETAINER



06002057

- For europacPRO, multipacPRO, ratiopacPRO, propacPRO and compacPRO
- Can also be used without PCB handle
- Application on top and bottom horizontal rail with "accessory" type guide rail

ORDER INFORMATION

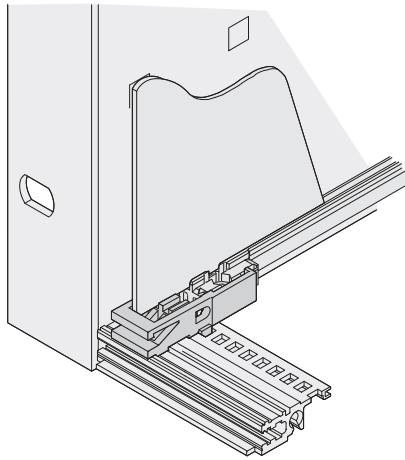
| Item | Description | Material | Colour | Qty/PU | Part no. |
|------|--------------|-------------------|--------|--------|------------------|
| 1 | PCB retainer | PBT, UL 94 V-0 | red | 10 | 24560-377 |

NOTE

- Minimum spacing of guide rail 3 HP

Modules – PCB accessories

PCB RETAINER



- For fixing PCB
- Can also be used without PCB handle
- Application on top and bottom horizontal rail
- Suitable for PCB handles
- For the combination of EuropacPRO guide rails and the older type PCB handle

ORDER INFORMATION

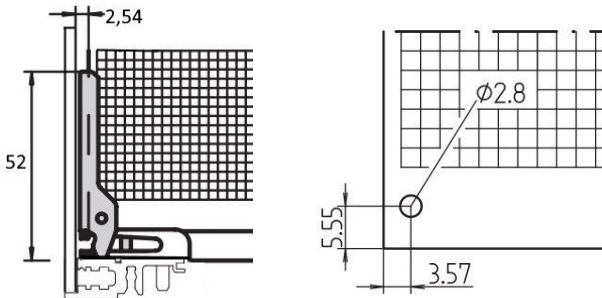
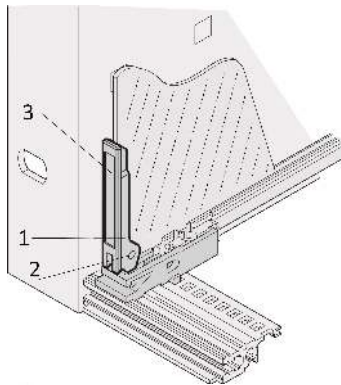
| Description | Material | Colour | Qty/PU | Part no. |
|---------------------|-------------------|--------|--------|------------------|
| PCB retainer B1, B2 | PPO, UL 94 V-0 | red | 10 | 24560-381 |

NOTE

- Groove width 2 mm

06109050

PCB HANDLE



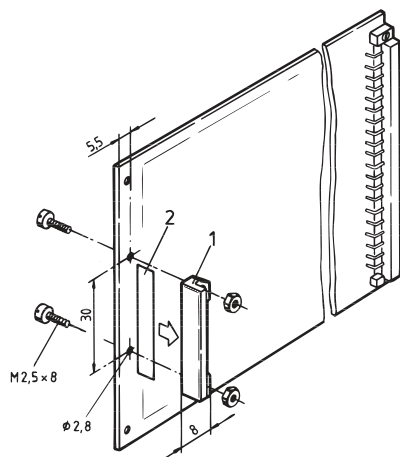
- For the combination of EuropacPRO guide rails and the older type PCB handle
- Can be mounted behind the front panel
- Insertion an extraction function
- Can be labelled
- In accordance with IEC 60297-3-102

ORDER INFORMATION

| Item | Description | Material | Colour | Qty | Part no. |
|------|----------------------|----------------------------------|--------|---------------------|------------------|
| 1 | PCB handle | PBT; UL 94 V-0 | red | 1 piece (SPQ 10) | 60817-096 |
| 2 | Pivot pin | Stainless steel | | 100 | 21100-671 |
| 3 | Identification strip | Polyester film, self-adhesive | silver | 100 | 21100-672 |

SPQ (standard pack quantity): Part number includes 1 piece, but delivery is exclusively made in standard pack quantity: Please order at least 10 pieces PCB handles or a multiple

PCB HANDLE, CAN BE BOLTED/RIVETED



- For board thickness 1.6 mm

ORDER INFORMATION

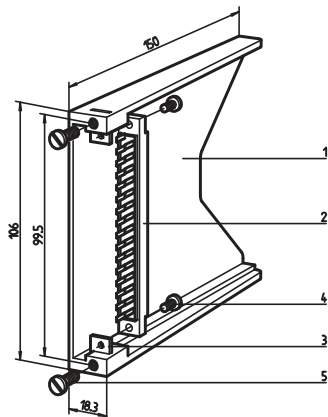
| Item | Description | Material | Colour | Qty | Part no. |
|------|---|----------|--------|---------------------|------------------|
| 1 | PCB handle, can be bolted/riveted | PC | yellow | 1 piece (SPQ 10) | 60817-050 |
| 2 | PCB handle, can be bolted/riveted | PC | red | 1 piece (SPQ 10) | 60817-051 |
| 1 | PCB handle, can be bolted/riveted | PC | green | 1 piece | 60817-052 |
| | Identification strip Item 2, carton, white, 37.5 × 7 × 0.15 mm, 1 sheet = 105 pieces | | | | 69000-969 |
| | Pozidrive panhead screw M2.5 × 8, St, nickel-plated, PU 100 pieces | | | | 21101-069 |
| | Hexagonal nut A 2.5, nickel-plated, PU 100 pieces | | | | 21100-144 |

A4-1302

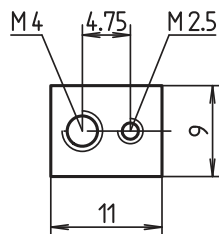
SPQ (standard pack quantity): Part number includes 1 piece, but delivery is exclusively made in standard pack quantity: Please order at least 10 pieces PCB handles or a multiple

Modules – PCB accessories

PCB POCKET



Retention bracket (DIN 41612)



- Accepts PCBs in euroboard format, 100 × 160 mm
- For female connectors to EN 60603 (DIN 41612)

DELIVERY COMPRISES (kit)

| Item | Qty | Description |
|------|-----|--|
| 1 | 1 | PCB pocket, PBT (P), grey, UL 94 V-0 |
| 3 | 2 | Retention bracket, St, 2 mm, nickel-plated |
| 4 | 2 | Cheesehead screw M2.5 × 6, St, nickel-plated |
| 5 | 2 | Cheesehead screw M4 × 12, St, nickel-plated |

ORDER INFORMATION

| Item | Description | Material | Colour | Qty/PU | Part no. |
|------|-------------|----------|--------|--------|------------------|
| 1 | PCB pocket | PBT (P) | grey | 1 | 20800-032 |

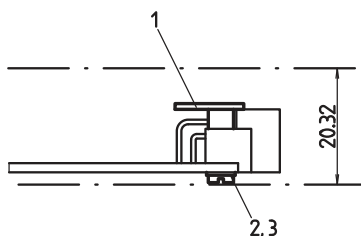
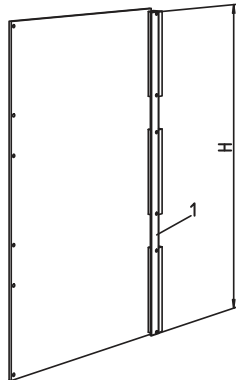
LKA42605

NOTE

- Connector (item 2) see page 11.2

LKA42606

PCB STRENGTHENING (9 U)



- Protects large PCBs from bending
- Creates an additional crossbar (corresponding to IEEE recommendations, P 896, Nubus, Multibus® II etc.) that links all connectors mechanically
- Fixing points match connectors to EN 60603 (DIN 41612), types B, R, C and D

DELIVERY COMPRISES (kit)

| Item | Qty | Description |
|------|-----|--|
| 1 | 1 | PCB strengthening, Al extrusion, anodised, cut edges plain; separator, stainless steel, riveted on |
| 2 | 6 | Cheesehead screw M 2.5 × 12, St, nickel-plated |
| 3 | 6 | Washer 2.6, St, nickel-plated |

LKA42609

ORDER INFORMATION

| Description | Height H mm | Part no. |
|--------------|----------------|------------------|
| For 9 U PCBs | 361.6 | 20809-441 |

LKA42593

PCB COVERS



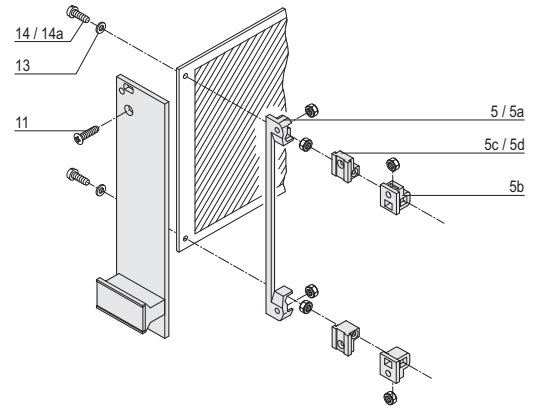
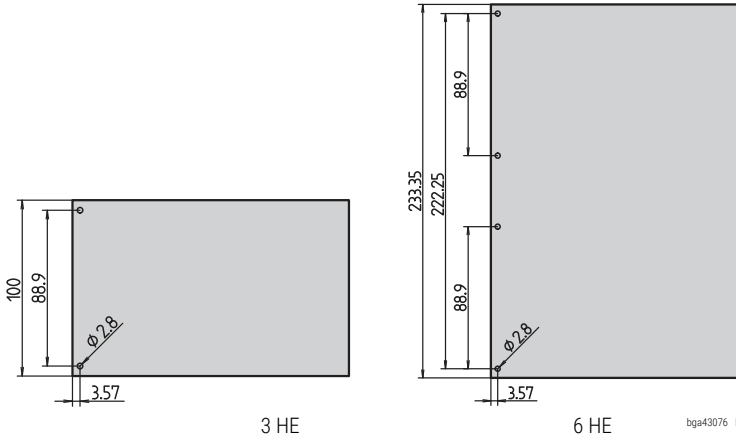
- Covers to protect solder side of board, see page 7.62


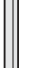



Modules – PCB accessories

INDIVIDUAL COMPONENTS PCB SUPPORT FOR STATIC TRAPEZIFORM HANDLE

FIXING PARTS FOR EXTRACTOR HANDLES IN KEY FORM 2

Drill hole dimensions on PCB

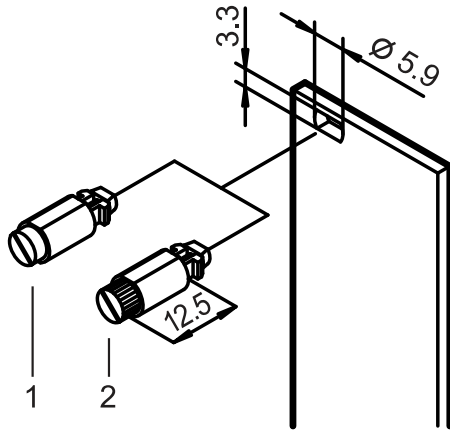


| Fixing parts | Item | Image | Required quantity | | Qty/PU | Part no. |
|--|------|--|-------------------|-----|--------------------------------|------------------|
| | | | 3 U | 6 U | | |
| PCB bracket 4 clearance holes for front panel/PCB fixing, 4 recesses for hexagon nuts; PBT, UL 94 V-0, red | 5 |  | 1 | 2 | 1 piece (SPQ 10) ¹⁾ | 60807-011 |
| PCB bracket 4 threads M2.5 for front panel/PCB fixing, PBT, UL 94 V-0, grey, 1 piece | 5a |  <small>AZA45177</small> | 1 | 2 | 1 piece (SPQ 10) ¹⁾ | 60807-211 |
| PCB bracket Clearance hole for front panel fixing, with recess for hexagon nut, drill hole for self-tapping screw for PCB fixing, PBT, UL 94 V-0, grey, 1 piece | 5b |  <small>AZA45177</small> | 2 | 4 | 1 piece (SPQ 10) ¹⁾ | 60807-183 |
| PCB bracket 2 threads M2.5 for front panel/PCB fixing, die-cast zinc, 1 piece | 5c |  <small>06707050</small> | 2 | 4 | 1 piece (SPQ 10) ¹⁾ | 60807-181 |
| PCB bracket Thread M2.5 for front panel fixing, clearance hole for PCB fixing, die-cast zinc, 1 piece | 5d |  <small>06707050</small> | 2 | 4 | 1 piece (SPQ 10) ¹⁾ | 60807-203 |
| | | | | | | |

1) SPQ (standard pack quantity): Part number includes 1 piece, but delivery is exclusively made in standard pack quantity (SPQ); please order at least the SPQ quantity or a multiple

Modules – Assembly parts

QUICK-RELEASE FASTENERS



06702062

- Vibration and shock proof
- 1/4 rotary lock with defined stop
- Detection of fastening position through slot position

DELIVERY COMPRISES

| Qty | Description |
|-----|---------------------------------------|
| 1 | Locking pin, St, locking, Zn die-cast |
| 1 | Press-in sleeve, POM |

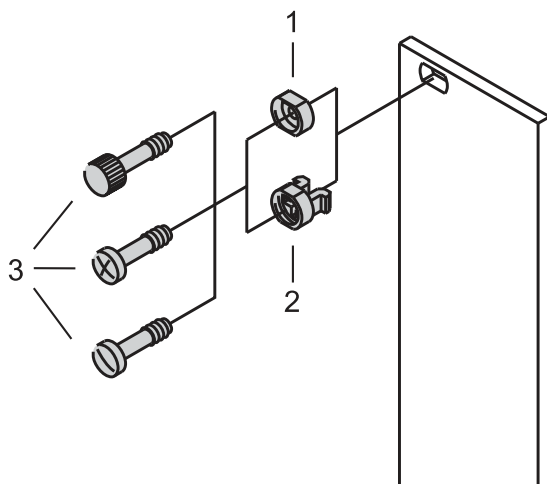
ORDER INFORMATION

| Item | Description | Qty/PU | Part no. |
|------|--------------------------------------|--------|------------------|
| 1 | With slotted head, grey | 100 | 21101-847 |
| 1 | With slotted head, black | 100 | 21101-848 |
| 2 | With knurled and slotted head, grey | 100 | 21101-849 |
| 2 | With knurled and slotted head, black | 100 | 21101-850 |

NOTE

Quick-release fasteners: mounting without threaded insert

SLEEVES



06702061

ORDER INFORMATION

| Item | Description | Application | Qty/PU pieces | Part no. |
|------|------------------------------------|-----------------------------|---------------|------------------|
| 2 | Plastic sleeve, PA, grey | for unshielded front panels | 100 | 21100-464 |
| 2 | Plastic sleeve, PA, black | for unshielded front panels | 100 | 21100-591 |
| 1 | Metal sleeve, brass, nickel-plated | for shielded front panels | 10 | 21100-659 |
| 1 | Metal sleeve, brass, nickel-plated | for shielded front panels | 100 | 21100-660 |
| 1 | Metal sleeve, brass, black | for shielded front panels | 10 | 21100-885 |
| 1 | Metal sleeve, brass, black | for shielded front panels | 100 | 21100-886 |
| 1 | Metal sleeves, stainless steel | for shielded front panels | 10 | 21100-661 |
| 1 | Metal sleeves, stainless steel | for shielded front panels | 100 | 21100-662 |

Accessories

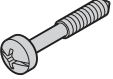
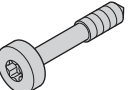
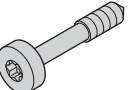
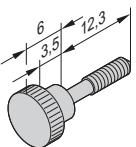
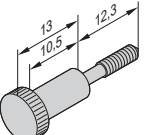
| | |
|---|------------------|
| Pozidrive/slotted collar screw M2.5 x 12,3 St, nickel-plated, PU 100 pieces | 21101-101 |
| Torx collar screw M2.5 x 12.3, St, nickel-plated, PU 100 pieces | 21101-782 |

NOTE

- Metal sleeves must be pressed-in into front panels
- Sleeve does not fit 2 HP wide front panels

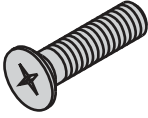

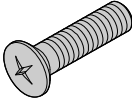
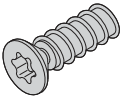
Modules – Assembly parts

COLLAR SCREWS

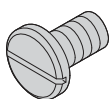
| Description | Material | Dimension | Qty/PU | Part no. |
|--|-------------------------------|-------------|--------|------------------|
|  <p>Philips /slotted collar screw</p> | St, nickel-plated (Philips) | M2.5 x 12,3 | 100 | 21102-026 |
|  <p>Pozidrive/slotted collar screw</p> <p>AZA46586</p> | St, nickel-plated, (Pozi) | M2.5 x 12.3 | 100 | 21101-101 |
| | St, zinc-plated, black (Pozi) | M2.5 x 12.3 | 100 | 21101-102 |
| | Stainless steel, (Pozi) | M2.5 x 12.3 | 100 | 21101-906 |
|  <p>Torx collar screw</p> <p>AZA45941</p> | St, nickel-plated | M2.5 x 12.3 | 100 | 21101-782 |
| | St, zinc-plated, black | M2.5 x 12.3 | 100 | 21101-783 |
|  <p>Collar screw with knurled head</p> <p>06709051</p> | Brass, nickel-plated | M2.5 x 12.3 | 100 | 21101-749 |
|  <p>Collar screw with knurled head Used with horizontal rails with long lip (H-LD or R-LD)</p> <p>06709052</p> | Brass, nickel-plated | M2.5 x 12.3 | 100 | 21101-909 |

Modules – Assembly parts

COUNTERSUNK SCREWS

| Description | Material | Dimension | Qty/PU | Part no. |
|--|------------------------|-----------|--------|------------------|
|  <p>Pozidrive countersunk screw</p> <p><small>az245182</small></p> | St, nickel-plated | M2.5 x 6 | 100 | 21100-515 |
| | St, nickel-plated | M2.5 x 12 | 100 | 21100-507 |
|  <p>Torx countersunk screw</p> <p><small>AZA46585</small></p> | St, zinc-plated | M4 x 5 | 100 | 24560-139 |
| | St, zinc-plated | M4 x 14 | 100 | 24560-145 |
|  <p>Raised Pozidrive countersunk screw</p> <p><small>06702056</small></p> | St, nickel-plated | M2.5 x 8 | 100 | 21100-429 |
| | St, nickel-plated | M2.5 x 10 | 100 | 21100-500 |
| | St, zinc-plated, black | M2.5 x 10 | 100 | 21100-649 |
|  <p>Torx countersunk screw, self-tapping</p> <p><small>06707057</small></p> | St, nickel-plated | M3 x 8 | 100 | 21100-542 |
| | St, zinc-plated | 2.5 x 7.7 | 100 | 24560-158 |

SCREWS FOR PLUG-IN UNITS



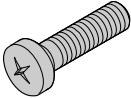
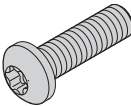
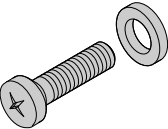
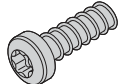
06706053

ORDER INFORMATION

| Description | Qty/PU | Part no. |
|--------------------------------------|--------|------------------|
| Slotted flathead screw, 6-32 UNC x 6 | 100 | 21100-712 |

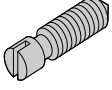
Modules – Assembly parts

PANHEAD SCREWS



| Description | Material | Dimension | Qty/PU | Part no. |
|--|------------------------|-----------|--------|------------------|
|  <p>Pozidrive panhead screw</p> <p>06702057</p> | St, nickel-plated | M2.5 x 5 | 100 | 21101-314 |
| | St, nickel-plated | M2.5 x 6 | 100 | 21101-219 |
| | St, nickel-plated | M2.5 x 8 | 100 | 21101-069 |
| | St, nickel-plated | M2.5 x 10 | 100 | 21101-220 |
| | St, nickel-plated | M2.5 x 12 | 100 | 21101-221 |
| | St, nickel-plated | M2.5 x 16 | 100 | 21101-222 |
| | St, zinc-plated | M5 x 12 | 100 | 21100-788 |
|  <p>Torx panhead screw</p> <p>AZA45940</p> | St, zinc-plated | M2.5 x 6 | 100 | 24560-159 |
| | St, nickel-plated | M2.5 x 7 | 100 | 24560-147 |
| | St, nickel-plated | M2.5 x 10 | 100 | 24560-148 |
| | St, nickel-plated | M2.5 x 12 | 100 | 24560-161 |
| | St, nickel-plated | M2.5 x 14 | 100 | 24560-162 |
| | St, zinc-plated | M4 x 6 | 100 | 24560-135 |
| | St, zinc-plated | M4 x 6 | 100 | 24560-151 |
|  <p>Screw + securing washer (PA)</p> <p>06702051</p> | St, nickel-plated | M2.5 x 12 | 100 | 21100-777 |
| | St, zinc-plated, black | 2.5 x 7.3 | 100 | 24560-157 |
|  <p>Torx panhead screw, self-tapping</p> <p>06707058</p> | St, zinc-plated | 2.5 x 9.3 | 100 | 24560-141 |

Modules – Assembly parts


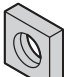

GRUB SCREWS

| Description | Material | Dimension | Qty/PU | Part no. |
|--|-------------------|-----------|--------|------------------|
|  Grub screw <small>06702053</small> | Stainless steel | M2.5 x 9 | 100 | 21101-359 |
| | St, nickel-plated | M2.5 x 8 | 100 | 21100-276 |
| | St, zinc-plated | M3.0 x 8 | 100 | 21100-646 |

WASHERS

| Description | Material | Dimension | Qty/PU | Part no. |
|---|-------------------|---------------|--------|------------------|
|  Washer <small>AZA45178</small> | Plastic, PA | 2.7 x 5 x 1 | 100 | 21101-121 |
| | Plastic, PA | 2.8 x 6,3 x 2 | 100 | 21101-964 |
| | St, nickel-plated | A2.7 DIN 125 | 100 | 21100-721 |
|  Shakeproof washer <small>AZA45180</small> | St, nickel-plated | A 2.6 | 100 | 21100-142 |

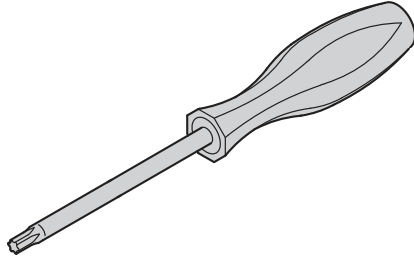
NUTS

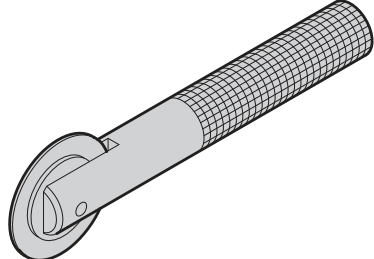
| Description | Material | Dimension | Qty/PU | Part no. |
|---|-------------------|-----------|--------|------------------|
|  Hexagon nut <small>AZA43239</small> | St, nickel-plated | M2.5 | 100 | 21100-144 |
|  Square nut <small>06707050</small> | St, nickel-plated | M2.5 | 100 | 21100-359 |
|  Square nut <small>AZA45921</small> | St, zinc-plated | M4 | 100 | 24560-140 |

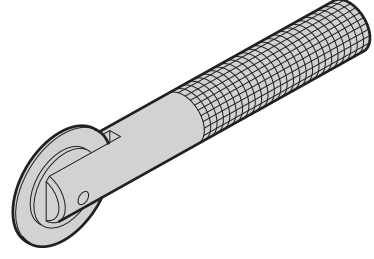
Modules – Assembly parts

ASSEMBLY TOOLS

ORDER INFORMATION

| Description | Application | Dimension | Qty/PU | Part no. |
|--|----------------|-----------|--------|------------------|
|  AZA45925 Torx screwdriver | For M2.5 screw | T8 | 1 | 64560-026 |
| | For M3 screw | T10 | 1 | 64560-230 |
| | For M4 screw | T20 | 1 | 64560-026 |

| | | | | |
|--|--|---|---|------------------|
|  az2a45938 Assembly tool | Exclusively to fix stainless steel EMC gaskets in horizontal rails | – | 1 | 24560-271 |
|--|--|---|---|------------------|

| | | | | |
|---|--|---|---|------------------|
|  az2a45937 Assembly tool | To fix stainless steel EMC gaskets on front panels with lateral slot | – | 1 | 24560-270 |
|---|--|---|---|------------------|

NOTE

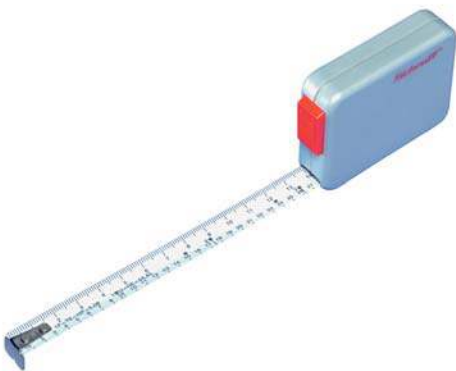
- Assembly tool to insert keying/coding pegs in guide rails is available on request

MEASURING TAPE

- Measuring tape with cm, U-, HP-division (length 2 m)
- Plastic housing, metal measuring tape with automatic collection

ORDER INFORMATION

| Description | Part no. |
|----------------|------------------|
| Measuring tape | 89009-001 |



North America

Warwick, RI, USA

Tel +1.800.525.4682

San Diego, CA, USA

Tel +1.800.854.7086

Europe, Middle East & India

Straubenhardt, Germany

Tel +49 7082 794 0

Betschdorf, France

Tel +33 3 88 90 64 90

Warsaw, Poland

Tel +48 22 209 98 35

Hemel Hempstead,

Great Britain

Tel +44 1442 24 04 71

Lainate, Italy

Tel +39 02 932 714 1

Dubai, United Arab Emirates

Tel +971 4 37 81 700

Bangalore, India

Tel +91 80 67152000

Istanbul, Turkey

Tel +90 216 250 7374

Asia Pacific

Shanghai, China

Tel +86 21 2412 6943

Singapore

Tel +65 6768 5800

Shin-Yokohama, Japan

Tel +81 45 476 0271

Our powerful portfolio of brands:

CADDY ERICO HOFFMAN RAYCHEM SCHROFF TRACER



[nVent.com/SCHROFF](https://www.nvent.com/SCHROFF)