



## CX4012LNL

- RF SPLITTER, 2-WAY
- 5-1000 MHz
- 0-DEG
- IMPEDANCE = 75 OHMS
- SURFACE MOUNT

### NOTES: UNLESS OTHERWISE SPECIFIED

1. OPERATING TEMPERATURE: -40°C TO +85°C
2. STORAGE TEMPERATURE: -50°C TO +125°C
3. COMPLIANCE TO J-STD:
  - J-STD-002: SOLDERABILITY AT REFLOW PEAK TEMPERATURE OF 245°C
  - J-STD-020: MSL 1, NO MOISTURE SENSITIVE
  - J-STD-075: R6, 250°C MAXIMUM THROUGH REFLOW SOLDER
4. DIMENSIONS ARE IN INCHES.
  - TOLERANCE:
    - .XX= ±.01
    - .XXX= ±.005
5. OPTIONAL TAPE & REEL PACKAGING CAN BE ORDERED BY ADDING A "T" SUFFIX TO THE PART NUMBER. ie: CX4012LNLT

### ELECTRICAL SPECIFICATIONS: @ 25°C

#### INSERTION LOSS:

FREQUENCY	ATTENUATION
5-40 MHz	3.8 dB MAX
41-600 MHz	3.6 dB MAX
601-870 MHz	3.85 dB MAX
871-1000 MHz	4.2 dB MAX

#### ISOLATION:

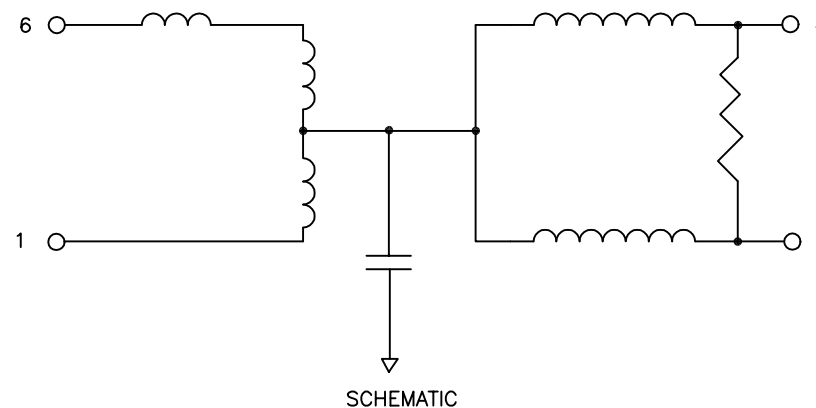
FREQUENCY	ATTENUATION
5-40 MHz	16.5 dB MAX
41-600 MHz	22.0 dB MAX
601-1000 MHz	22.0 dB MAX

#### RETURN LOSS:

FREQUENCY	ATTENUATION
5-40 MHz	13.0 dB MIN
41-600 MHz	19.0 dB MIN
601-1000 MHz	18.0 dB MIN

#### AMPLITUDE UNBALANCE:

FREQUENCY	ATTENUATION
5-40 MHz	0.4 dB MAX
41-1000 MHz	0.3 dB MAX



© Copyright, 2014. Pulse Electronics Corp. All rights reserved. Pulse confidential & proprietary. (06/13/2014)

PRODUCT DESCRIPTION:

SPLTR,2-WAY,0-DEG,SPLTR;5-1000M,TERMINATED,FR4

SHEET:

1 OF 2

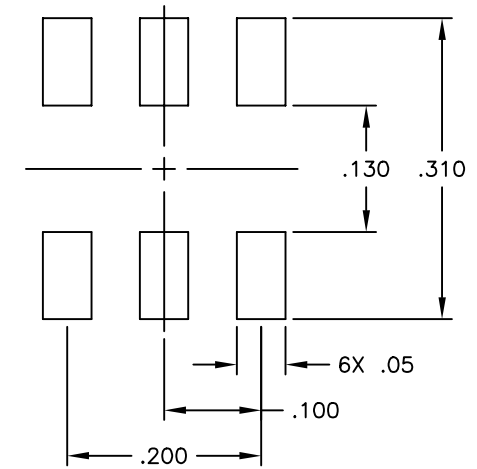
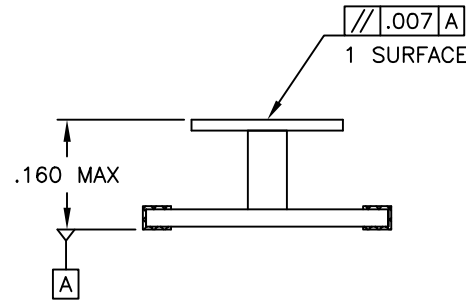
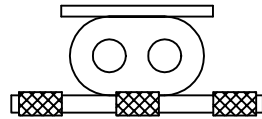
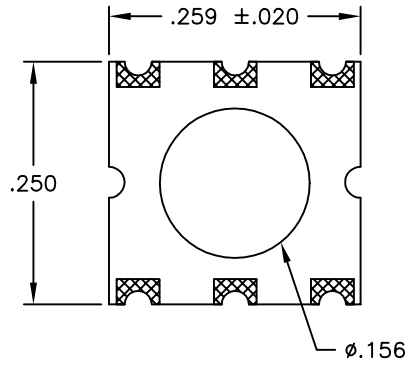
PART NO.

CX4012LNL

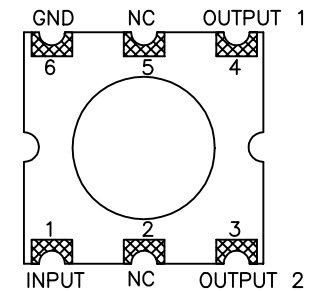
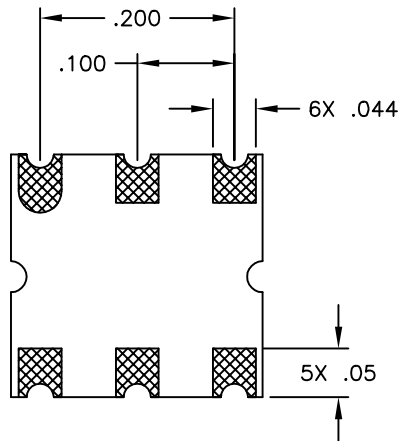
DATASHEET REV.

A

**MECHANICAL SPECIFICATIONS:**



SUGGESTED LAND PATTERN



© Copyright, 2014. Pulse Electronics Corp. All rights reserved. Pulse confidential & proprietary. (06/13/2014)

PRODUCT DESCRIPTION:

SPLTR,2-WAY,0-DEG,SPLTR;5-1000M,TERMINATED,FR4

SHEET:

2 OF 2

PART NO.

CX4012LNL

DATASHEET REV.

A