

REV. Status

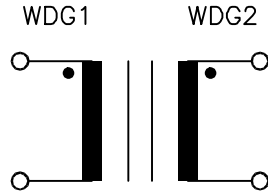
ISSUE 1
02/14/96 TS

MODEL NUMBER
CMF-0056

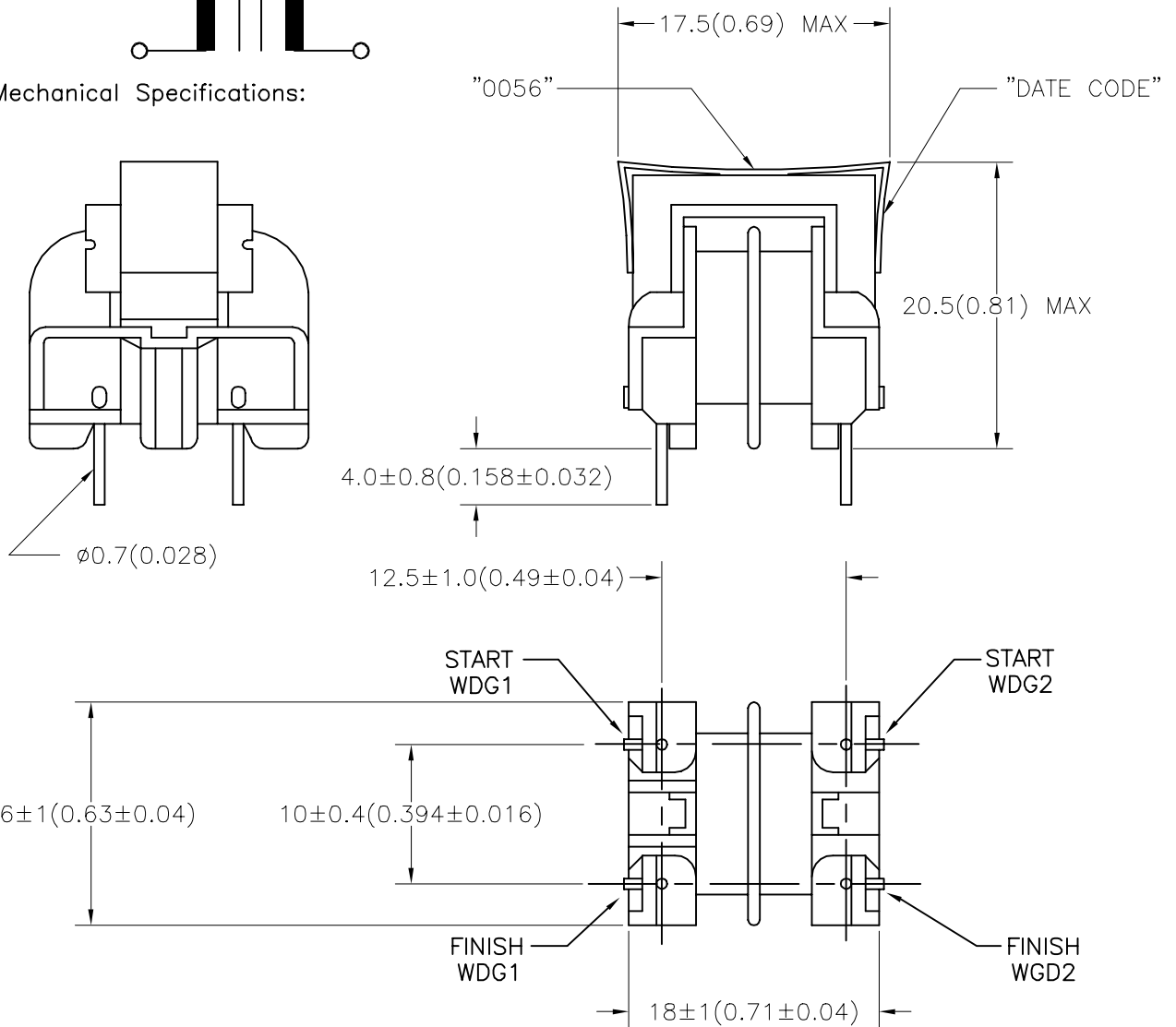
- A. Electrical Specifications (Ta = +25°C)
1. Rated Voltage: 250V AC 50/60 Hz
 2. Rated Current: 0.55A AC
 3. Inductance (@ 1 KHz 1V): 5.6 mH MIN
 4. Insulation Resistance:
DC 500V 100MΩ MIN
Between Winding to Winding
Between Winding to Core
 5. Hi-Pot Test:
Winding to Winding AC 2.0 KV
Winding to Core
 6. DC Resistance: 0.84 Ω MAX

B. Marking; 0056 and date code

C. Schematic Diagram:



D. Mechanical Specifications:



TOLERANCES (mm)	
≤ 4	± 0.2
$4 < \leq 20$	± 0.3
$20 < \leq 50$	± 0.4

PREPARED BY:

K. Brennan

ENGINEER:

T. Shiozawa

QUALITY CONTROL:

V. Casey

APPROVED:

V. Casey

DWG CONTROL NO.
P-A4-11526
ACAD\MXFMR\A4115261.DWG

REV
—

COIL
COMMON MODE

CMF-0056

MODEL SPECIFICATION

CONTENTS OF THIS DRAWING ARE SUBJECT TO CHANGE WITHOUT PRIOR NOTICE

TAMURA CORPORATION OF AMERICA
43352 BUSINESS PARK DRIVE, TEMECULA, CA. 92590-6624
(909) 699-1270 FAX 9096769482

DIM: mm(In) SCL: 2/1 SH: 1 OF 1

PROPRIETARY NOTICE: THIS DRAWING PRINT OR DOCUMENT AND SUBJECT MATTER DISCLOSED HEREIN ARE PROPRIETARY ITEMS TO WHICH TAMURA RETAINS THE EXCLUSIVE RIGHT OF DISSEMINATION, REPRODUCTION, MANUFACTURE AND SALE. THIS DRAWING, PRINT OR DOCUMENT IS SUBMITTED IN CONFIDENCE FOR CONSIDERATION BY THE RECIPIENT ALONE UNLESS PERMISSION FOR FURTHER DISCLOSURE IS EXPRESSLY GRANTED IN WRITING.