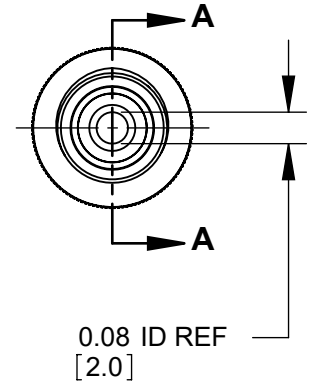
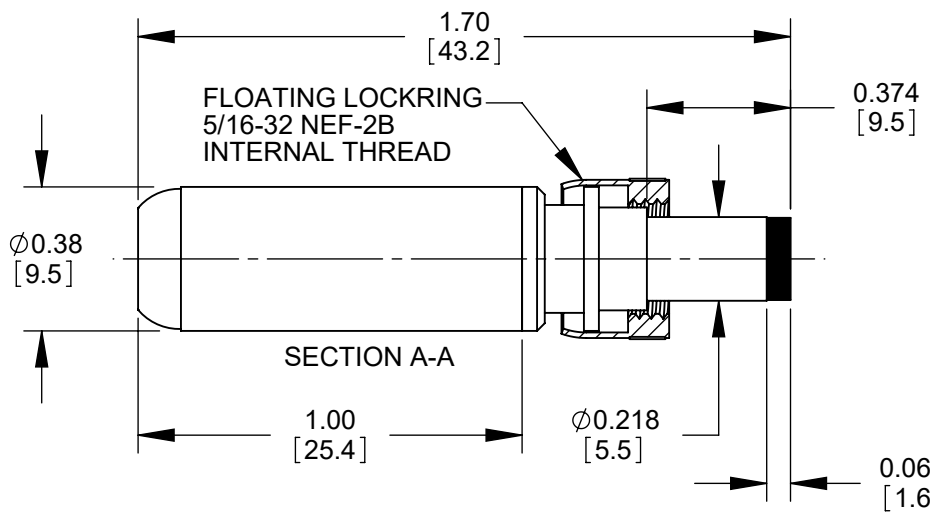
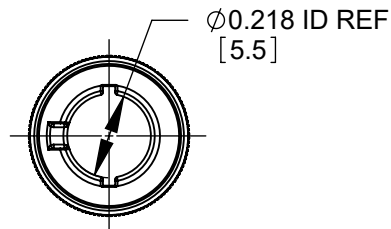


PART NUMBER	HANDLE COLOR
S760K	BLACK
S765K	RED



NOTES:

- MATERIALS:  
 CONDUCTORS, LOCKRING - BRASS, NICKEL PLATED  
 TERMINALS - BRASS, TIN PLATED  
 INSULATORS, HANDLE - THERMOPLASTIC
- THIS PRODUCT IS RoHS COMPLIANT

**CUSTOMER DRAWING**

					THIS DRAWING DESCRIBES A DESIGN CONSIDERED PROPRIETARY IN NATURE, DEVELOPED AND MANUFACTURED BY SWITCHCRAFT INC. AND IS RELEASED ON A CONFIDENTIAL BASIS FOR IDENTIFICATION PURPOSES ONLY.						
					SIZE	WIDTH	MULT	LBS/M	TEMPER		
					FINISH			MATERIAL			
					SPEC No.			SPEC No.			
					FIRST USED ON		SCALE 2:1				
D	28348	12/15/20	TJK	TJK	DATE DRAWN	BY	CHKD	APVD			
C	25989	11-13-08	JEB	TJK	3-31-09	JEB	JEB	TJK			
REV	ECO NUMBER	DATE	BY	APVD	NAME Ø 0.08 [2.0]mm x 0.374 LONG POWER PLUG W/LOCKRING, RoHS				PART No.	REV	
REVISIONS					DO NOT SCALE DRAWING					S760K-S765K	D

SolidWorks CAD File

