

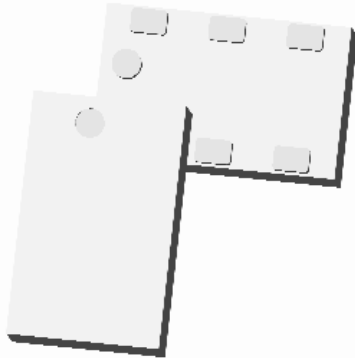


Ultra Low Profile 0805 Power Divider
50Ω to 50Ω

Description:

The PD0409J5050S2HF is a low profile, sub-miniature Wilkinson power divider in an easy to use surface mount package. The PD0409J5050S2HF is ideal for high volume manufacturing and delivers higher performances than traditional printed and lumped element solutions. The PD0409J5050S2HF is matched to 50 Ω and has a height profile of 0.5 mm which is ideal for high level integrations in the following markets: GSM, WCDMA, DVB-H (Europe) and Terrestrial TV.

The PD0409J5050S2HF does not include the resistive element and therefore, requires an external resistor for operation. The PD0409J5050S2HF is available on tape and reel for high volume manufacturing pick and place.

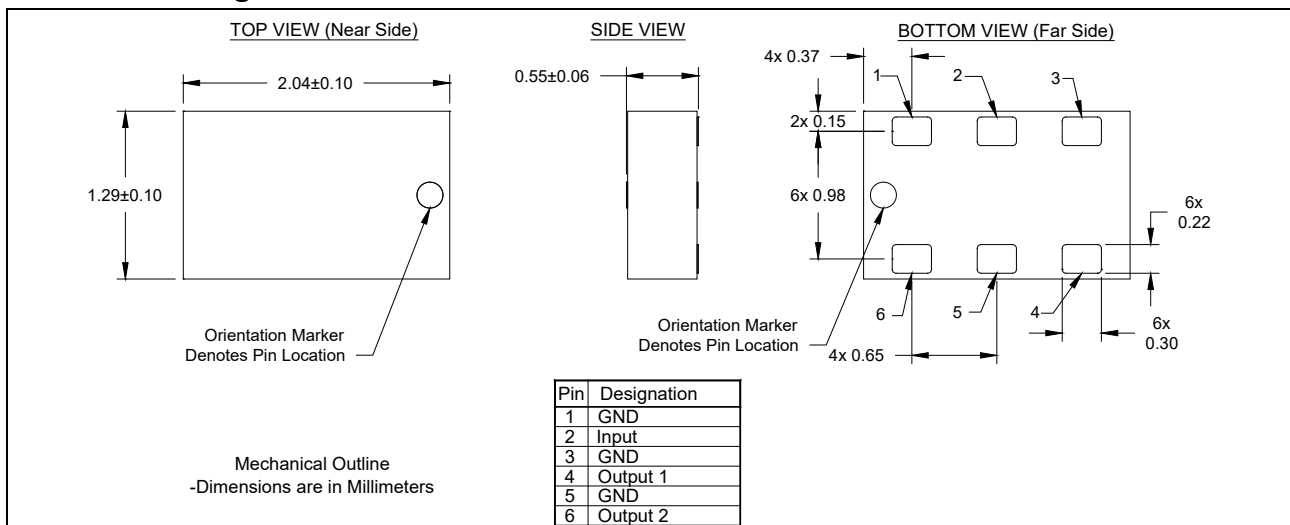


Detailed Electrical Specifications: Specifications subject to change without notice.

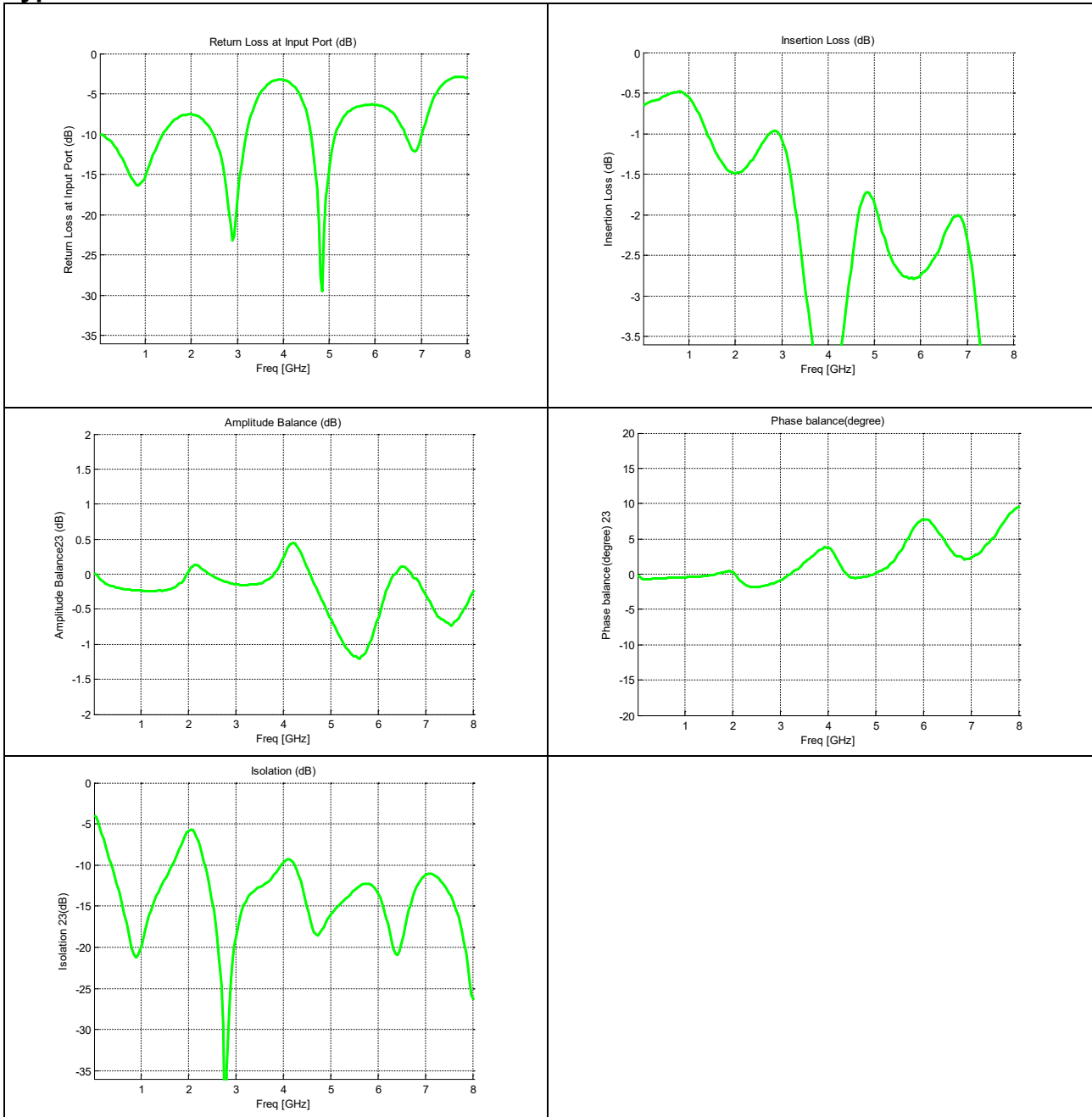
Features:	Parameter	ROOM (25°C)			Unit
		Min.	Typ.	Max	
• 400-900 MHz	Frequency	390		900	MHz
• 0.5mm Height Profile	Input Port Impedance		50		Ω
• 50Ω Input / 50Ω Outputs	Output Port Impedance		50		Ω
• Low Insertion Loss	Return Loss	11	12.0		dB
• Surface Mountable	Insertion Loss*		0.6	0.7	dB
• Tape & Reel	Amplitude Balance		0.2	0.5	dB
• Non-conductive Surface	Phase Balance		1.0	3	Degrees
• RoHS Compliant	Isolation (Output Ports)	9	10.5		dB
• External Resistor required	Power Handling @85°C			2	Watts
• Halogen Free	Operating Temperature	-55		+140	°C

* Insertion Loss stated at room temperature (Insertion Loss is approximately 0.1 dB higher at +85 °C)

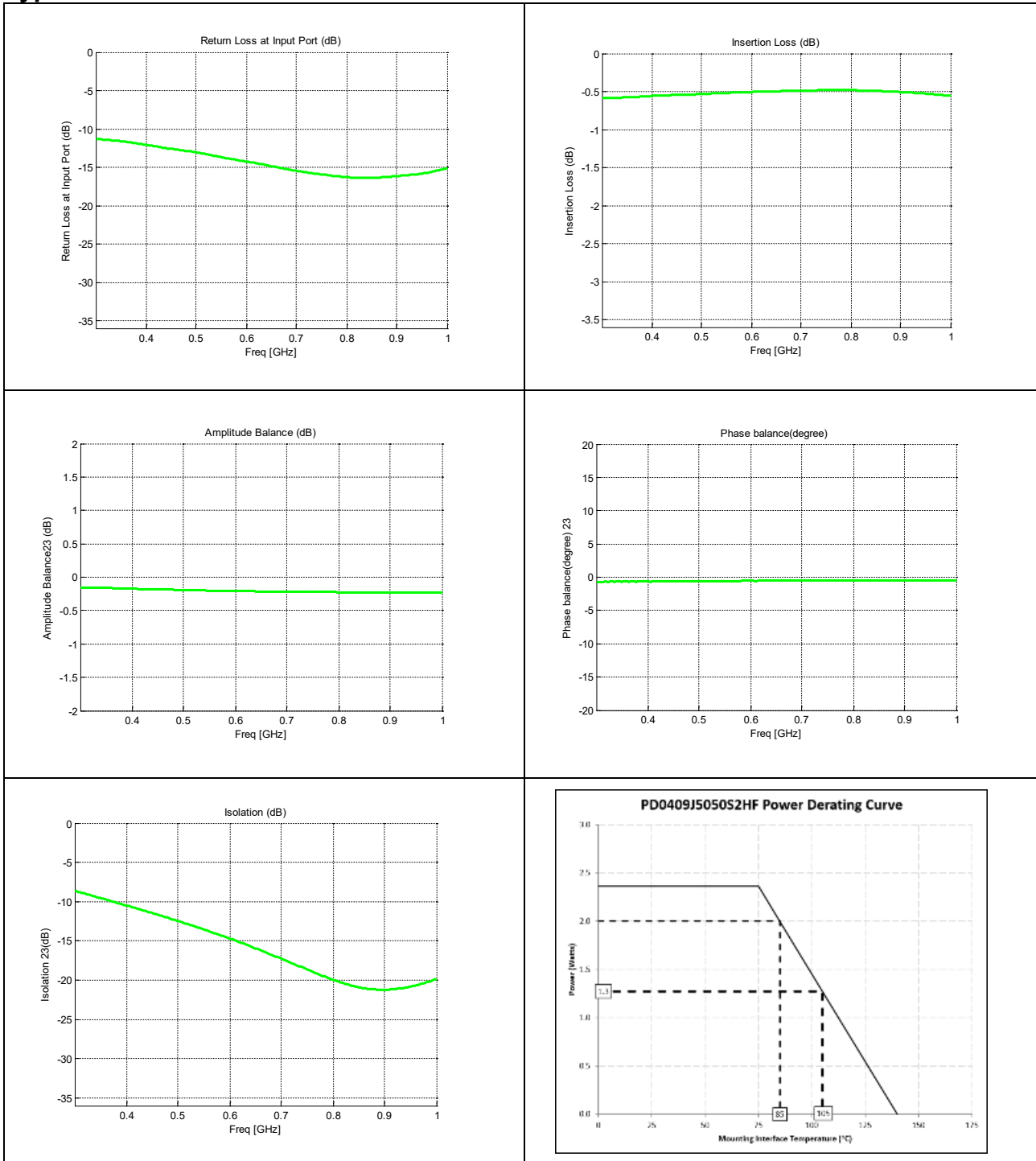
Outline Drawing:



Typical Broadband Performance: 10 MHz. to 8.0GHz.



Typical Performance: 300 MHz. to 1000 MHz.

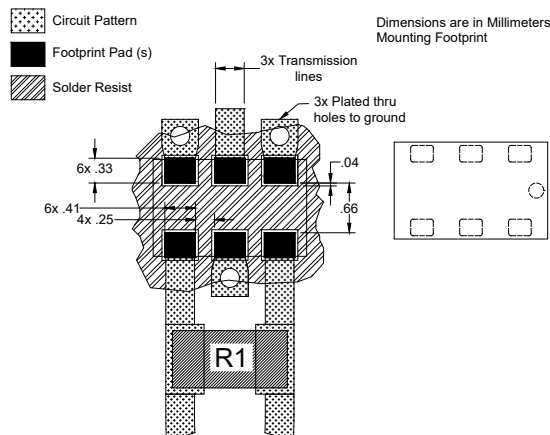


Mounting Configuration:

In order for Xinger surface mount components to work optimally, the proper impedance transmission lines must be used to connect to the RF ports. If this condition is not satisfied, insertion loss, Isolation and VSWR may not meet published specifications.

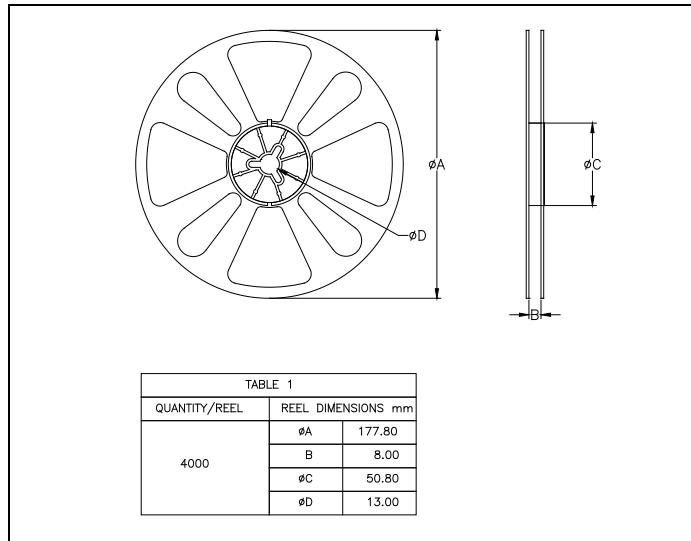
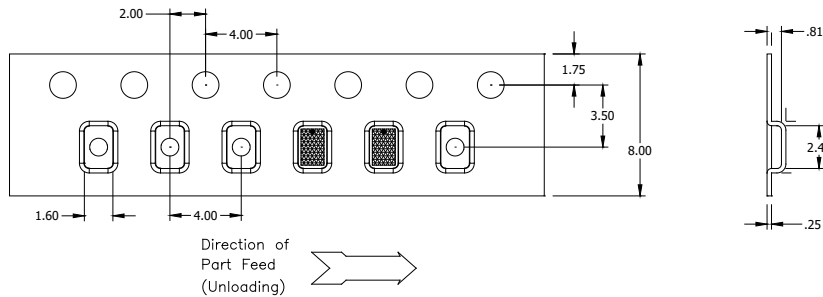
All of the Xinger components are constructed from organic PTFE based composites which possess excellent electrical and mechanical stability. Xinger components are compliant to a variety of ROHS and Green standards and ready for Pb-free soldering processes. Pads are Gold plated with a Nickel barrier.

An example of the PCB footprint used in the testing of these parts is shown below. In specific designs, the transmission line widths need to be adjusted to the unique dielectric coefficients and thicknesses as well as varying pick and place equipment tolerances. In addition, since the PD0409J5050S2HF is a Wilkinson power divider, an external 0603 100Ω resistor must be mounted in locations R1 as shown in the Figure below.



Packaging and Ordering Information:

Parts are available in reels and are packaged per EIA 481-2. Parts are oriented in tape and reel as shown below. Minimum order quantities are 4000 per reel. See Model Numbers below for further ordering information.



Contact us:
rf&s_support@ttm.com