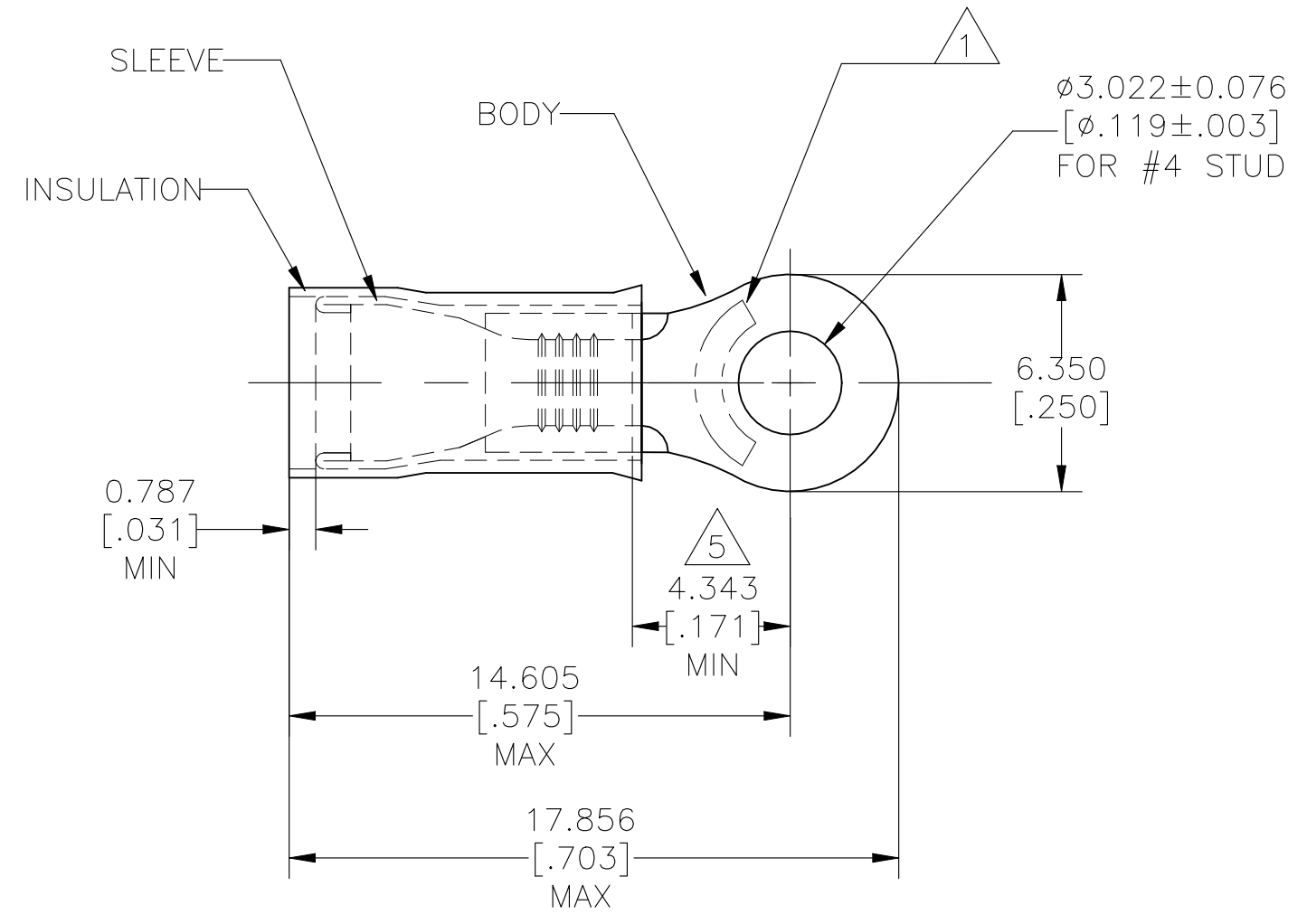


© - TE Connectivity. All Rights Reserved.

REVISIONS				
P	LTR	DESCRIPTION	DATE	APVD
	D5	REVISED PER ECN-22-156403	07JUN2022	RK CSD

<b>AMP</b> WIRE RANGE	E13288 Listed	LR7189 Certified
16-14 AWG SOLID OR STRANDED	16-14 AWG SOLID OR STRANDED	16-14 AWG SOLID OR STRANDED



- 1 STAMP AMP 16-14\* APPROX AS SHOWN.
- 2 WIRE INSULATION  $\phi 2.667-3.810[\phi.105-.150]$
- 3 BODY MATERIAL THK:  $0.787 \pm 0.051[.031 \pm .002]$
- 4 MATERIAL:  
BODY & SLEEVE: CU PER ASTM B152  
INSULATION: NYLON PER ASTM D4066
- 5 APPLIES FROM EDGE OF METAL WIRE BARREL TO CENTER OF STUD HOLE.
- 6 MEETS MS25036-152, CLASS 1.
- 7 FINISH:  
BODY & SLEEVE: TIN PLATE  $0.00254[.000100]$  MIN  
EXT THK PER ASTM B545  
INSULATION: COLOR - BLUE.

5000	TAPE & REEL	2-324159-2
1000	LOOSE PIECE	324159
QTY	PACKAGE TYPE	PART NO

CUSTOMER SERVICE SYSTEMS		MAX RECOMMENDED OPERATING TEMPERATURE: 105°C[221°F] MAX	THIS DRAWING IS A CONTROLLED DOCUMENT.		DWN JR RUTH 13JAN10	TE Connectivity				
FOR ADDITIONAL PRODUCT INFORMATION OR COPIES OF DRAWINGS AND TECHNICAL DOCUMENTS	PRODUCT INFORMATION CENTER 1-800-522-6752	VOLTAGE RATING: 300 V MAX	DIMENSIONS: mm [INCHES]	TOLERANCES UNLESS OTHERWISE SPECIFIED:	CHK T MICHELUTTI 13JAN10					NAME TERMINAL, RING TONGUE, PIDG WIRE SIZE: 16-14 AWG
FOR APPLICATION TOOLING INFORMATION	TOOLING ASSISTANCE CENTER 1-800-722-1111	CIRCULAR MIL AREA: 1.04-2.62mm²[2,050-5,180] STRANDED OR SOLID		0 PLC ± - 1 PLC ± - 2 PLC ± - 3 PLC ± 0.127[.005] 4 PLC ± - ANGLES ± -	APVD T MICHELUTTI 13JAN10	PRODUCT SPEC UL 486 A-B	SIZE	CAGE CODE	DRAWING NO	RESTRICTED TO
FOR ORDER ENTRY	1-800-526-5142		MATERIAL	FINISH	114-2157	WEIGHT	A3	00779	C-324159	
CUSTOMER DRAWING						SCALE	5:1	SHEET	1 OF 1	REV D5