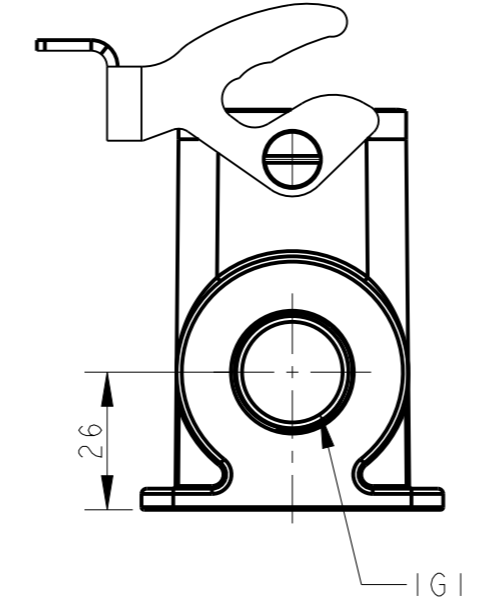
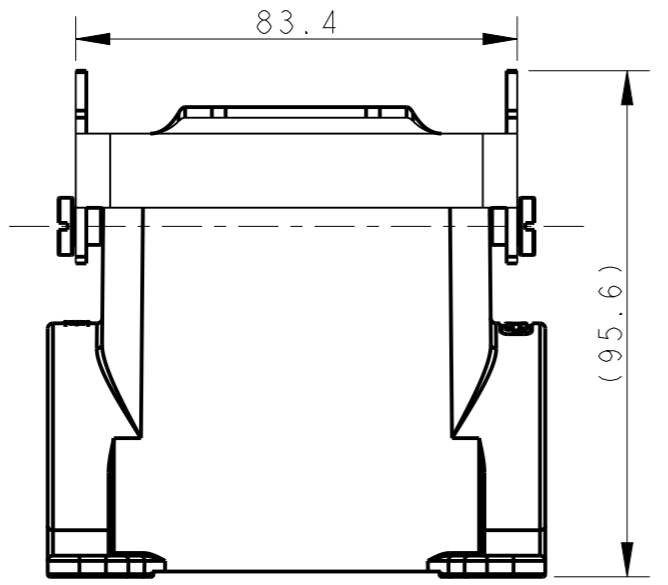
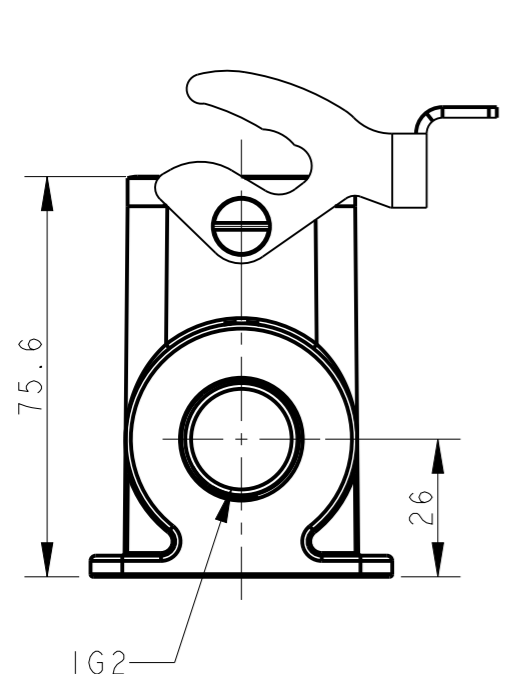
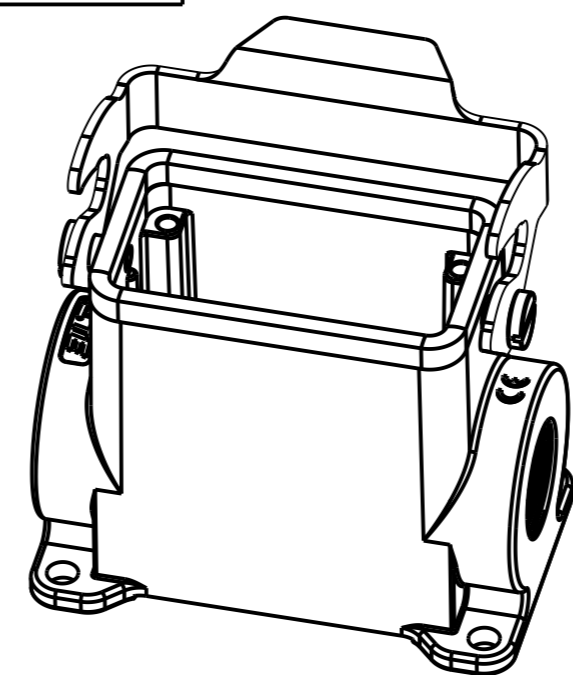
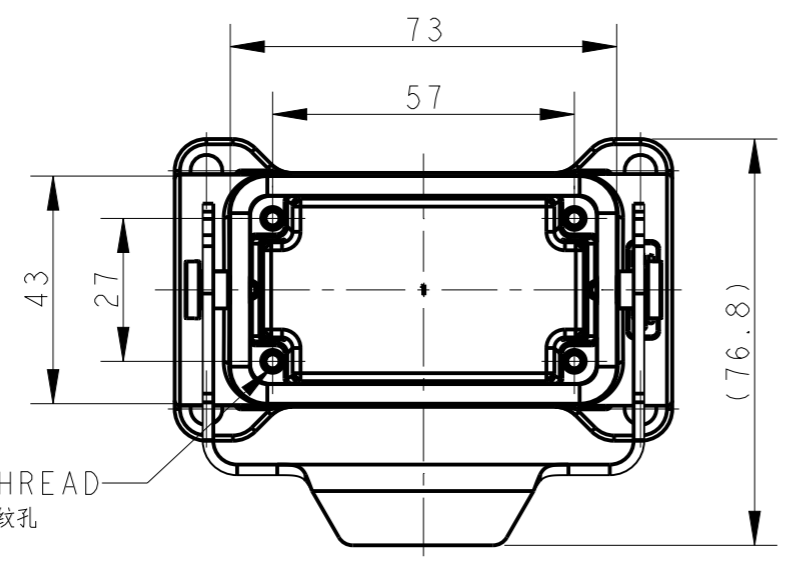


THIS DRAWING IS UNPUBLISHED. RELEASED FOR PUBLICATION 20  
© COPYRIGHT 20 BY - ALL RIGHTS RESERVED.

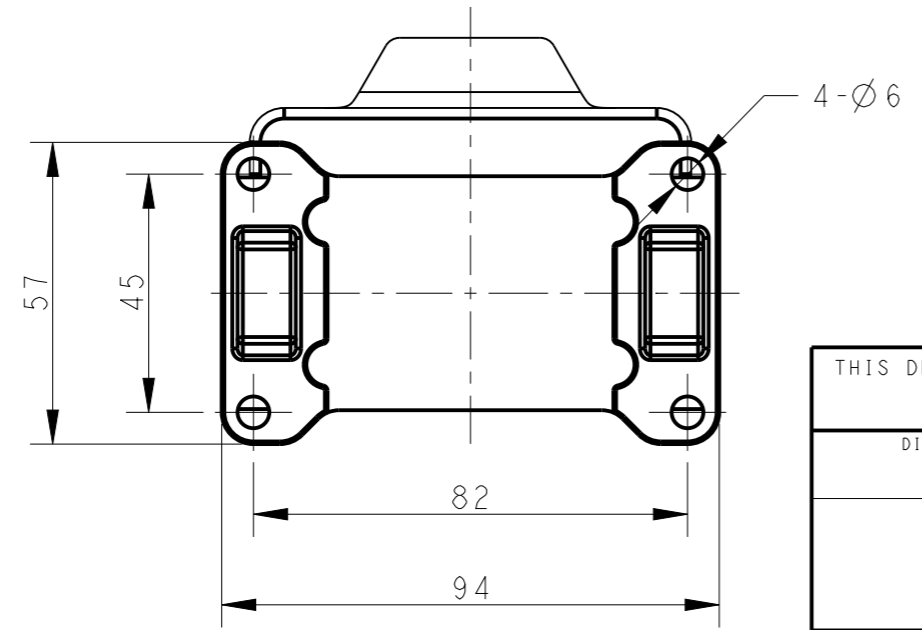
REVISIONS

P	LTR	DESCRIPTION	DATE	DWN	APVD
A		INITIAL RELEASE	08JUL2015	DL	CW
B		ECR-20-008181	16JUL2020	WQR	CW




NOTES:  
1. TECHNICAL CHARACTERISTICS:  
BODY MATERIAL: DIE CAST ALUMINIUM ALLOY  
SURFACE TREATMENT: POWDER-COATED, GRAY  
DEGREE OF PROTECTION: IP65 (MATED)

注释:  
1. 技术参数:  
主体材料: 铝合金  
表面处理: 粉末喷涂, 灰色  
防护等级: IP65(配合)



TI650103121-000	H10B-SGRH-LB-PG21	PG21	-
TI650103129-000	H10B-SGRH-LB-PG29	PG29	-
TI650103132-000	H10B-SGRH-LB-M32	M32	-
TI650103221-000	H10B-SGRH-LB-2PG21	PG21	PG21
TI650103225-000	H10B-SGRH-LB-2M25	M25	M25
TI650103229-000	H10B-SGRH-LB-2PG29	PG29	PG29
TI650103232-000	H10B-SGRH-LB-2M32	M32	M32
TI650102532-000	H10B-SGRH-LB-M25/M32	M25	M32
ASSEMBLY PART NUMBER	ASSEMBLY PART DESCRIPTION	IG1	IG2

THIS DRAWING IS A CONTROLLED DOCUMENT.		DWN 08JUL2015 DAVID LI	 TE Connectivity NAME H10B-SGRH-LB-PG/M		
DIMENSIONS: mm		CHK 08JUL2015 CHRIS WANG			PRODUCT SPEC 108-137013
TOLERANCES UNLESS OTHERWISE SPECIFIED:		APVD 08JUL2015 XU XIANG			APPLICATION SPEC 114-137013
0 PLC ±- 1 PLC ±- 2 PLC ±- 3 PLC ±- 4 PLC ±- ANGLES ±-		WEIGHT -			RESTRICTED TO
MATERIAL TBD	FINISH -	CUSTOMER DRAWING	SCALE 7:10	SIZE A3 CAGE CODE - DRAWING NO. C-TI65010XXXX000 SHEET 1 OF 1 REV B	