

PIR HAT



SENSOR
AS312

G36
INPUT

Description

Hat PIR is an M5Stack compatible human body induction sensor, it belongs to "Passive pyroelectric infrared detector", that detect the infrared come from the human body. When the infrared is detected, the sensor will output HIGH and last for two seconds until the next detecting round.

Notice: There exist 7 seconds delay.

Product Feature

- Detection Range: 100cm
- Delay time: 2s
- Induction Angle: ± 90°
- TDDQ: < 50uA
- OpV: 3.3V/5V

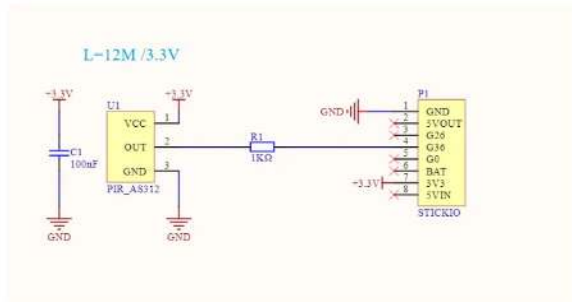
package Includes

1x PIR.Hat

Applications

- Human body induction lamp
- Security product
- Auto-irradiation

Schematic



EasyLoader

EasyLoader is a concise and fast program writer, which has a built-in case program related to the product. It can be burned to the main control by simple steps to perform a series of function verification. Please install the corresponding driver according to the device type. M5Core host [Please click here to view the CP210X driver installation tutorial](#). M5Stack/v1/v2/ATOM series can be used without driver.

Example

TTFW

Open <https://www.m5stack.com> and click Demo to load

Arduino

Please click [here](#) to get complete code

Pin Map

M5Stack	G36	3V	GND
HAT.H	OUT	3V	GND