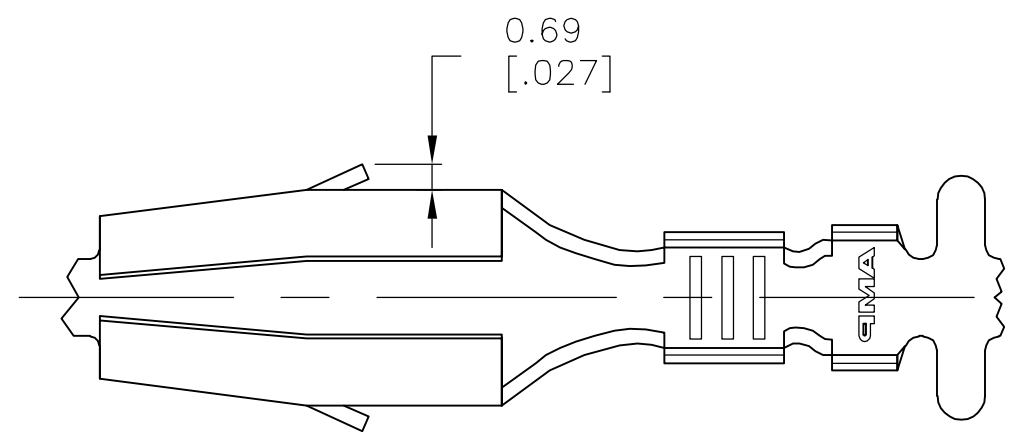
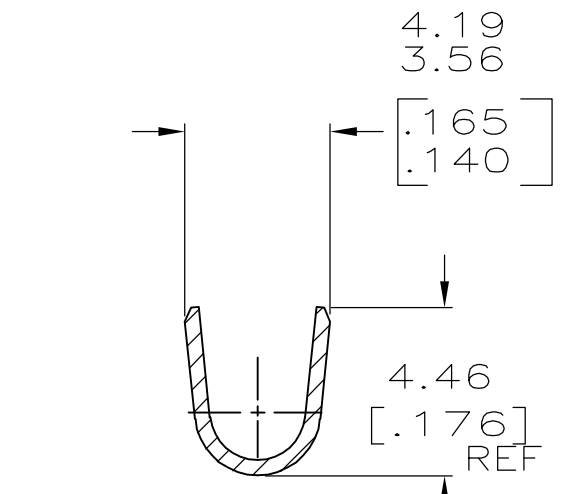
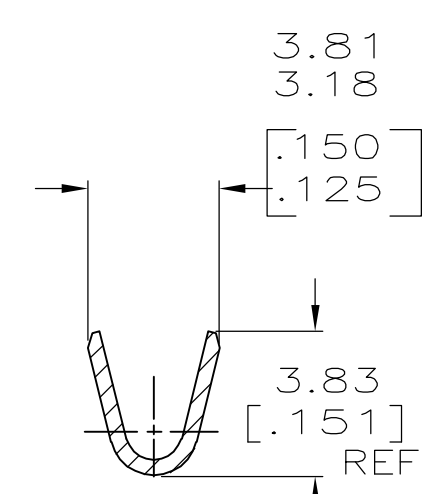
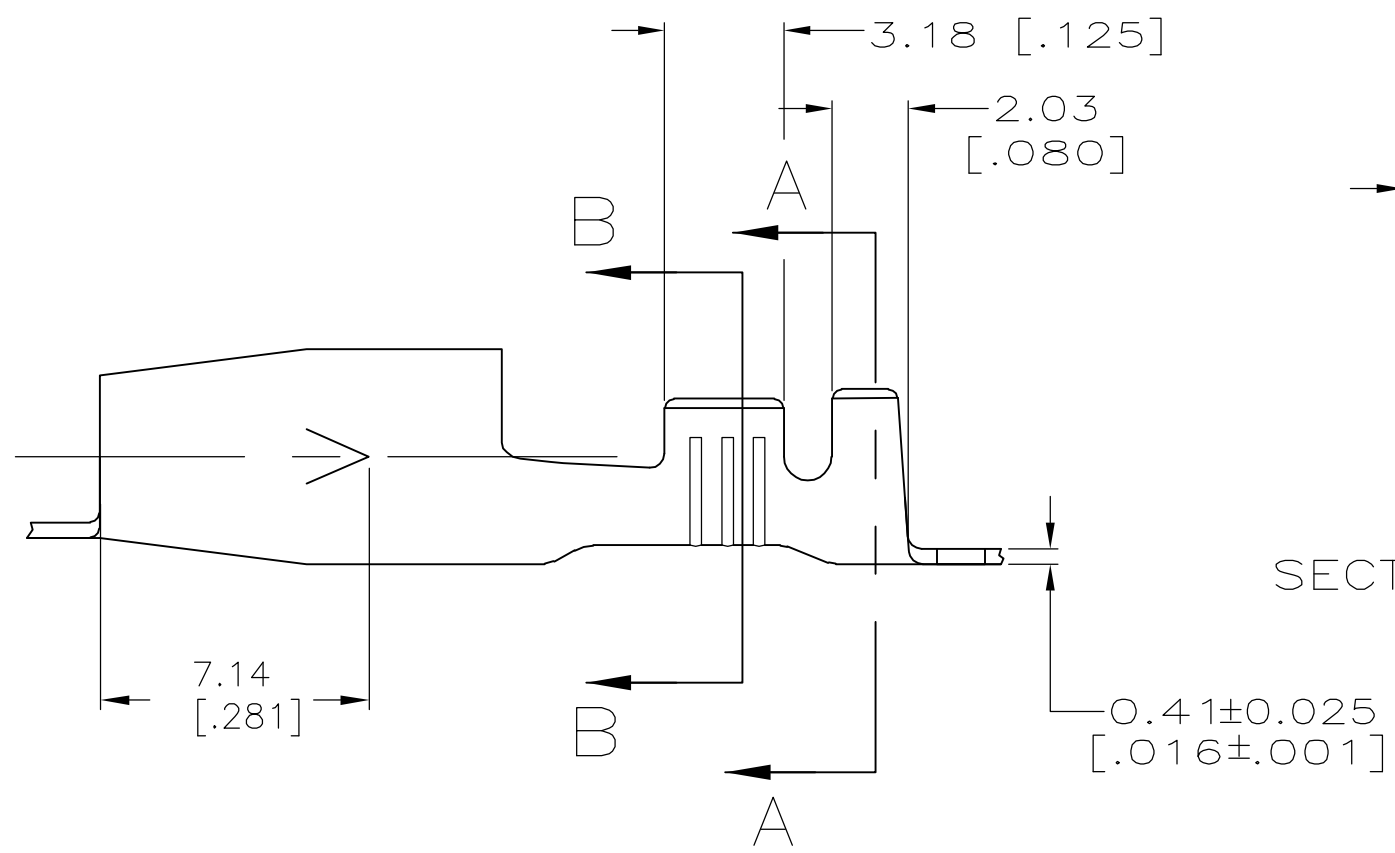
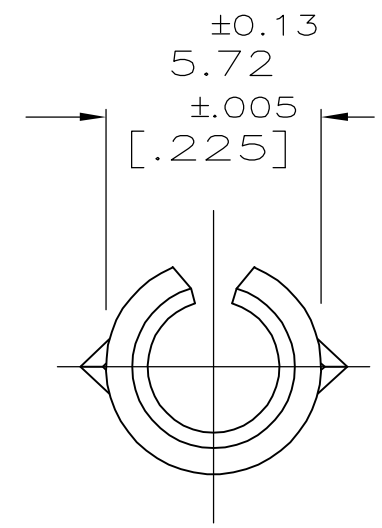


THIS DRAWING IS UNPUBLISHED. RELEASED FOR PUBLICATION
 © COPYRIGHT BY TYCO ELECTRONICS CORPORATION. ALL RIGHTS RESERVED.

LOC	DIST	REVISIONS			
P	LTR	DESCRIPTION	DATE	DWN	APVD
AF	50	A	REVISED PER ECR-06-002268	03FEB06	MF DD



- CONTINUOUS STRIP ON REELS.
- WIRE SIZE [#18-#14 OR TWO #18'S] AWG.
- INSULATION RANGE IS 2.29-3.05 [.090-.120] DIA.



1742365-1
 PART NUMBER

THIS DRAWING IS A CONTROLLED DOCUMENT.		DWN M.S. FEHER 24OCT2005	Tyco Electronics Corporation Harrisburg, PA 17105-3608		
DIMENSIONS: mm [INCHES]		CHK D.F. DECKER 24OCT2005			
TOLERANCES UNLESS OTHERWISE SPECIFIED:		APVD D.F. DECKER 24OCT2005	NAME PIN, SPECIAL, 5.72 [.225] DIA		
0 PLC ± - 1 PLC ± - 2 PLC ± 0.38 [.015] 3 PLC ± - 4 PLC ± - ANGLES ± -		PRODUCT SPEC -	SIZE A3		
MATERIAL H04 BRASS		FINISH -	APPLICATION SPEC -	CAGE CODE 00779	DRAWING NO 1742365
CUSTOMER DRAWING			WEIGHT -	RESTRICTED TO -	SCALE 5:1
			SHEET 1 of 1		REV A