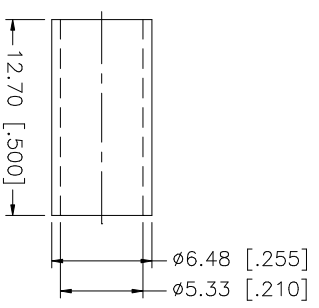
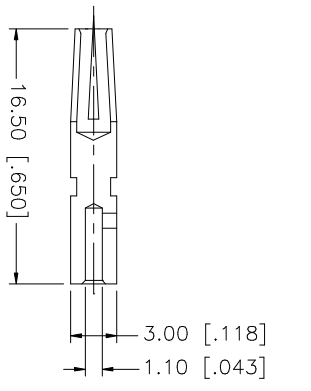
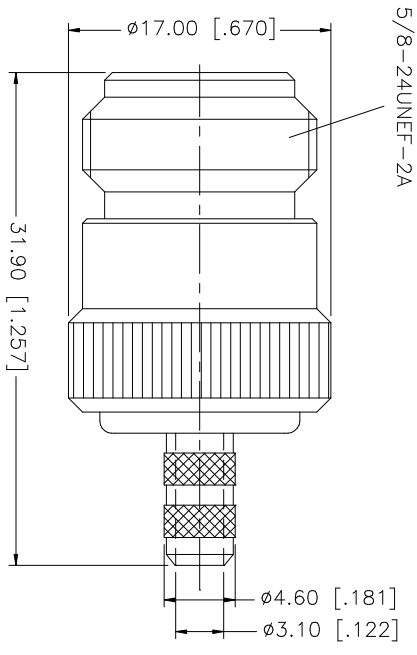
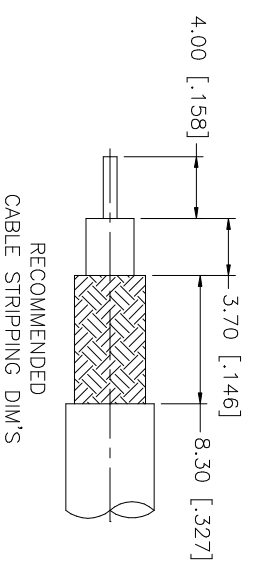


REV.	DATE	DESCRIPTION
A	04/31/03	UPDATE DRAWING FORMAT



NOTE:
 1. CRIMPED FERRULE
 HEX CRIMP SIZE .213"
 2. CRIMPED CONTACT PIN
 HEX CRIMP SIZE .100"

NO.	DESCRIPTION	MATERIAL	FINISH	QTY
1	INSULATOR BODY	TEFLON BRASS	NATURAL NEXCOTE	1
2	CONTACT PIN	PHOS. BRONZE	GOLD	1
3	FERRULE	COPPER	NEXCOTE	1
4	INSULATOR BODY	TEFLON BRASS	NATURAL NEXCOTE	1
5	CONTACT PIN	PHOS. BRONZE	GOLD	1
6	FERRULE	COPPER	NEXCOTE	1
7	INSULATOR BODY	TEFLON BRASS	NATURAL NEXCOTE	1
8	DESCRIPTION	MATERIAL	FINISH	QTY

Amphenol Connex

N CRIMP JACK
 (FOR RG-58/U, 141/U CABLE)

172103

APPROVALS	DATE
G.R.S.	04/31/03
CHECKED	
ISSUED	
SHEET	1 OF 1

UNLESS OTHERWISE SPECIFIED DIMENSIONS ARE IN MILLIMETERS DIMENSIONS IN INCHES ARE IN PARENTHESES AND FOR OBSOLETE REFERENCES ONLY
 UNLESS OTHERWISE SPECIFIED TOLERANCES FOR MILLIMETERS ARE:
 0.5 - 8mm ± 0.20mm
 8 - 30mm ± 0.40mm
 30 - 120mm ± 0.50mm
 UNLESS OTHERWISE SPECIFIED TOLERANCES FOR INCHES ARE:
 .020 - .315 = ± 0.007"
 .315 - 1.180 = ± 0.015"
 1.180 - 4.724 = ± 0.020"

DO NOT SCALE DRAWING	CAD FILE	DWG. NO.	REV.	SIZE	SCALE
	C:/172/172103.DWG	172103.DWG	A	A	NA