

5747190-4 ✓ ACTIVE

AMPLIMITE | AMPLIMITE HD-20

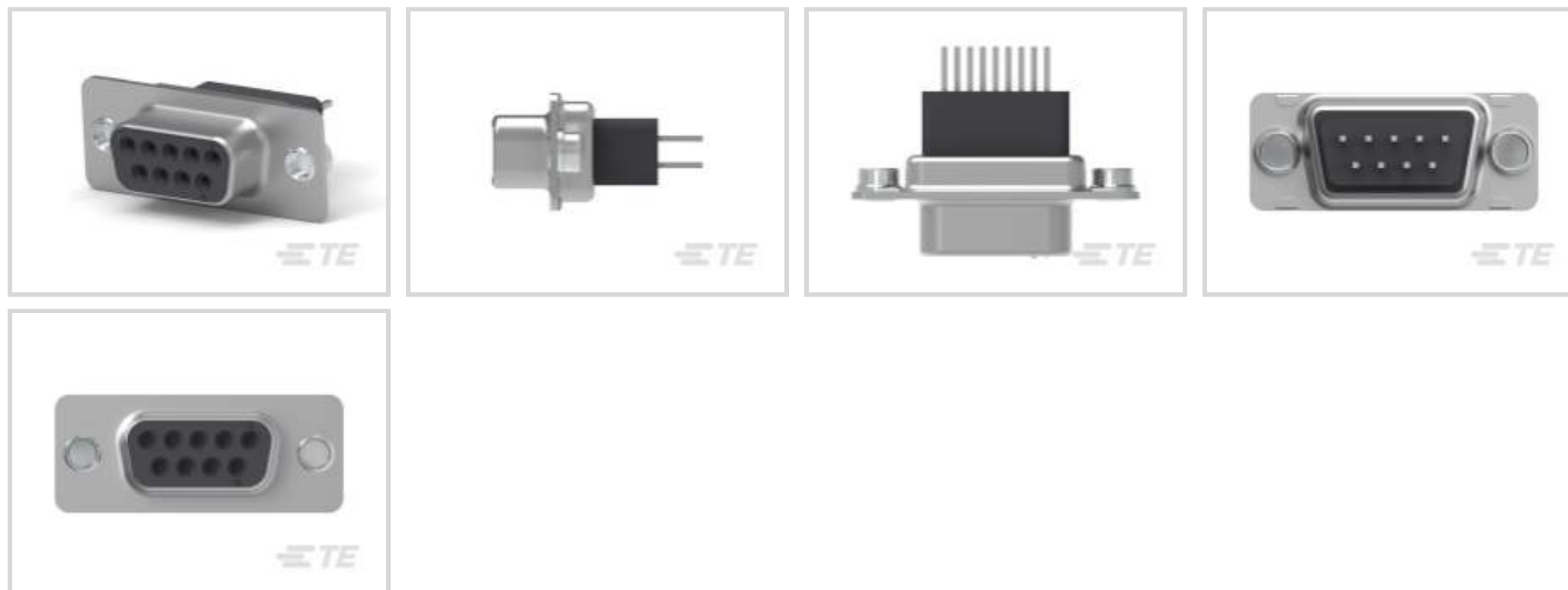
TE Internal #: 5747190-4

PCB D-Sub Connectors, Receptacle, Board-to-Board, 9 Position,  
2.74 mm [.108 in] Centerline, 2 Row, 1 Connector Shell Size, Square,  
AMPLIMITE HD-20

[View on TE.com >](#)



Connectors > D-Shaped Connectors > D-Sub Connectors > PCB D-Sub Connectors > D-Sub Receptacle Assembly: Vertical, Shell Size 1, 2.74mm



Connector & Housing Type: **Receptacle**

Connector System: **Board-to-Board**

Number of Positions: **9**

Centerline (Pitch): **2.74 mm [.108 in]**

Number of Rows: **2**

[All D-Sub Receptacle Assembly: Vertical, Shell Size 1, 2.74mm \(59\)](#)

## Features

### Product Type Features

|                                   |                       |
|-----------------------------------|-----------------------|
| Shell Material Configuration      | Full Metal Shell      |
| Connector & Housing Type          | Receptacle            |
| Connector System                  | Board-to-Board        |
| Connector Shell Size              | 1                     |
| Connector & Contact Terminates To | Printed Circuit Board |

### Configuration Features

|                       |          |
|-----------------------|----------|
| Number of Positions   | 9        |
| Number of Rows        | 2        |
| PCB Mount Orientation | Vertical |

### Body Features

|                        |               |
|------------------------|---------------|
| Insert Material        | Thermoplastic |
| Shell Plating Material | Tin           |



|                       |       |
|-----------------------|-------|
| Primary Product Color | Black |
|-----------------------|-------|

|                   |      |
|-------------------|------|
| Connector Profile | High |
|-------------------|------|

### Contact Features

|  |            |
|--|------------|
|  | 30 $\mu$ m |
|--|------------|

|                                      |  |
|--------------------------------------|--|
| Contact Mating Area Plating Material | Gold, Gold Flash over Palladium Nickel |
|--------------------------------------|--|

|                               |                          |
|-------------------------------|--------------------------|
| Contact Underplating Material | Nickel, Palladium Nickel |
|-------------------------------|--------------------------|

|   |     |
|---|-----|
| PCB Contact Termination Area Plating Material | Tin |
|---|-----|

|                       |                 |
|-----------------------|-----------------|
| Contact Base Material | Phosphor Bronze |
|-----------------------|-----------------|

|                      |        |
|----------------------|--------|
| Contact Shape & Form | Square |
|----------------------|--------|

|                              |     |
|------------------------------|-----|
| Contact Current Rating (Max) | 6 A |
|------------------------------|-----|

### Termination Features

|  |                 |
|--|-----------------|
| Square Termination Post & Tail Dimension | .63 mm[.025 in] |
|--|-----------------|

|                                |                  |
|--------------------------------|------------------|
| Termination Post & Tail Length | 4.78 mm[.188 in] |
|--------------------------------|------------------|

|   |                       |
|---|-----------------------|
| Termination Method to Printed Circuit Board | Through Hole - Solder |
|---|-----------------------|

### Mechanical Attachment

|                        |                 |
|------------------------|-----------------|
| Mounting Hole Diameter | 3.05 mm[.12 in] |
|------------------------|-----------------|

|                     |      |
|---------------------|------|
| PCB Mount Retention | With |
|---------------------|------|

|                          |               |
|--------------------------|---------------|
| PCB Mount Retention Type | Mounting Hole |
|--------------------------|---------------|

|                  |      |
|------------------|------|
| Mating Retention | With |
|------------------|------|

|                       |                      |
|-----------------------|----------------------|
| Mating Retention Type | Clinch Nut, 4-40 UNC |
|-----------------------|----------------------|

|                         |             |
|-------------------------|-------------|
| Connector Mounting Type | Board Mount |
|-------------------------|-------------|

### Housing Features

|                |              |
|----------------|--------------|
| Shell Material | Carbon Steel |
|----------------|--------------|

|                  |                  |
|------------------|------------------|
| Housing Material | Nylon GF, PBT GF |
|------------------|------------------|

|                    |                  |
|--------------------|------------------|
| Centerline (Pitch) | 2.74 mm[.108 in] |
|--------------------|------------------|

### Dimensions

|                             |                                |
|-----------------------------|--------------------------------|
| PCB Thickness (Recommended) | 2.36 – 3.18 mm[.093 – .125 in] |
|-----------------------------|--------------------------------|

|                    |                  |
|--------------------|------------------|
| Row-to-Row Spacing | 2.84 mm[.112 in] |
|--------------------|------------------|

### Usage Conditions

|                             |                            |
|-----------------------------|----------------------------|
| Operating Temperature Range | -55 – 105 °C[-67 – 221 °F] |
|-----------------------------|----------------------------|

### Operation/Application

|                     |        |
|---------------------|--------|
| Circuit Application | Signal |
|---------------------|--------|



### Industry Standards

|                        |          |
|------------------------|----------|
| UL Flammability Rating | UL 94V-0 |
|------------------------|----------|

### Packaging Features

|                    |      |
|--------------------|------|
| Packaging Quantity | 17   |
| Packaging Method   | Tube |

### Other

|                             |  |
|-----------------------------|--|
| D-Shaped Connectors Comment | All receptacles are preloaded with size 20 DF posted socket contacts |
|-----------------------------|--|

### Product Compliance

[For compliance documentation, visit the product page on TE.com>](#)

|   |   |
|---|---|
| EU RoHS Directive 2011/65/EU                  | Compliant   |
| EU ELV Directive 2000/53/EC                   | Compliant   |
| China RoHS 2 Directive MIIT Order No 32, 2016 | No Restricted Materials Above Threshold   |
| EU REACH Regulation (EC) No. 1907/2006        | Current ECHA Candidate List: JUNE 2023 (235)<br>Candidate List Declared Against: JUNE 2023 (235)<br>Does not contain REACH SVHC |
| Halogen Content                               | Not Low Halogen - contains Br or Cl > 900 ppm.  |
| Solder Process Capability                     | Wave solder capable to 265°C  |

#### Product Compliance Disclaimer

This information is provided based on reasonable inquiry of our suppliers and represents our current actual knowledge based on the information they provided. This information is subject to change. The part numbers that TE has identified as EU RoHS compliant have a maximum concentration of 0.1% by weight in homogenous materials for lead, hexavalent chromium, mercury, PBB, PBDE, DBP, BBP, DEHP, DIBP, and 0.01% for cadmium, or qualify for an exemption to these limits as defined in the Annexes of Directive 2011/65/EU (RoHS2). Finished electrical and electronic equipment products will be CE marked as required by Directive 2011/65/EU. Components may not be CE marked. Additionally, the part numbers that TE has identified as EU ELV compliant have a maximum concentration of 0.1% by weight in homogenous materials for lead, hexavalent chromium, and mercury, and 0.01% for cadmium, or qualify for an exemption to these limits as defined in the Annexes of Directive 2000/53/EC (ELV). Regarding the REACH Regulation, the information TE provides on SVHC in articles for this part number is based on the latest European Chemicals Agency (ECHA) 'Guidance on requirements for substances in articles' posted at this URL: <https://echa.europa.eu/guidance-documents/guidance-on-reach>

### Compatible Parts




TE Part # CAT-AM7-248H3  
IDC D-Sub: Plug Assembly, Wire to Wire, Signal, 2.77 mm



TE Part # CAT-AM7-H3  
IDC D-Sub: Plug Assembly, Low Profile, Signal, 2.77 mm



TE Part # CAT-AM7-248H4  
IDC D-Sub: Connector Kit, Plug, Wire to Wire, Signal, 2.77 mm



TE Part # 206509-1  
SIZE 20 KEYING PLUG

Also in the Series | **AMPLIMITE HD-20**



PCB D-Sub Connectors(353)

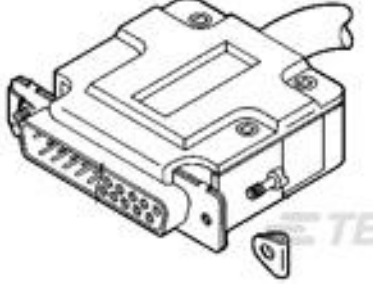
Customers Also Bought



TE Part #5748873-1  
AMP III PLUG 25P RA 590 THD IN



TE Part #5747190-2  
09 RCPT SP/MS CNUT



TE Part #5207908-1  
STRAIN RELIEF W/SCREW RET KIT



TE Part #2-1393219-2  
PE514024



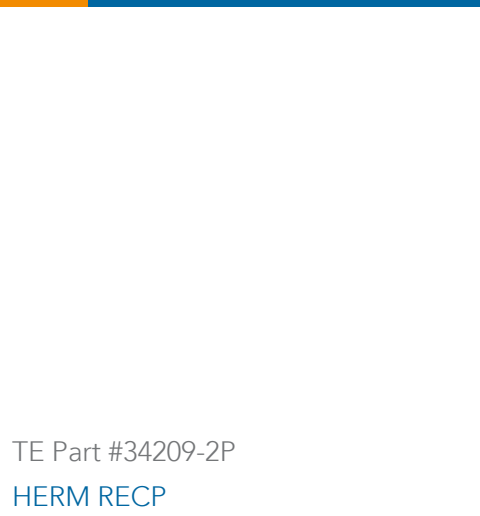
TE Part #535070-5  
048 EURO TYPE C RECEPT ST ASSY



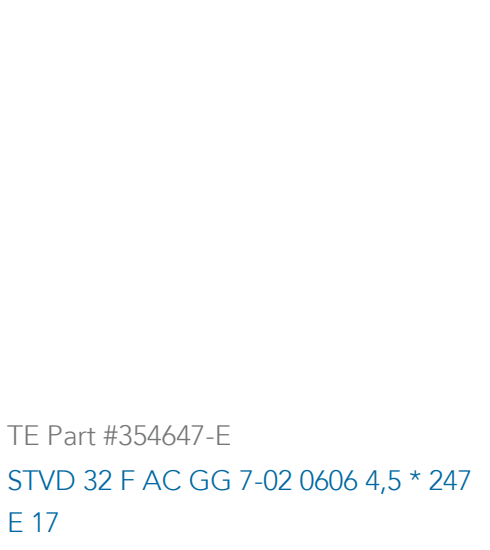
TE Part #535091-5  
048 EURO TYPE C RECEPT ST ASSY




TE Part #650466-5  
032 EURO TYPE C RECEPT ST ASSY



TE Part #34209-2P  
HERM RECP



TE Part #354647-E  
STVD 32 F AC GG 7-02 0606 4,5 \* 247 E 17



TE Part #374219-E  
ERMBGR FBUK GSE \* M4 9999 ERMET-BAUSATZ



## Documents

### Product Drawings

[09 RCPT SP/MS CNUT](#)

English

---

### CAD Files

[3D PDF](#)

3D

Customer View Model

[ENG\\_CVM\\_CVM\\_5747190-4\\_B.2d\\_dxf.zip](#)

English

Customer View Model

[ENG\\_CVM\\_CVM\\_5747190-4\\_B.3d\\_igs.zip](#)

English

Customer View Model

[ENG\\_CVM\\_CVM\\_5747190-4\\_B.3d\\_stp.zip](#)

English

By downloading the CAD file I accept and agree to the [Terms and Conditions](#) of use.

---

### Datasheets & Catalog Pages

[AMPLIMITE Subminiature D Connectors - Straight Posted Connectors](#)

English

---

### Product Specifications

[Application Specification](#)

English

---

### Product Environmental Compliance

[MD\\_5747190-4\\_07032014859\\_dmtec](#)

English

[MD\\_5747190-4\\_07032014859\\_dmtec](#)

English

---

### Agency Approvals

[UL Report](#)

English