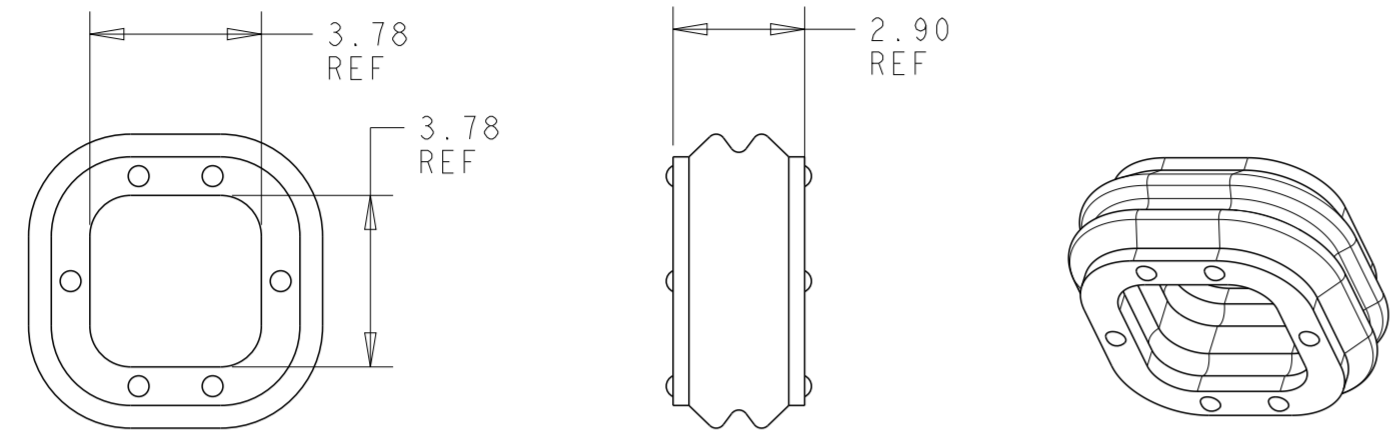
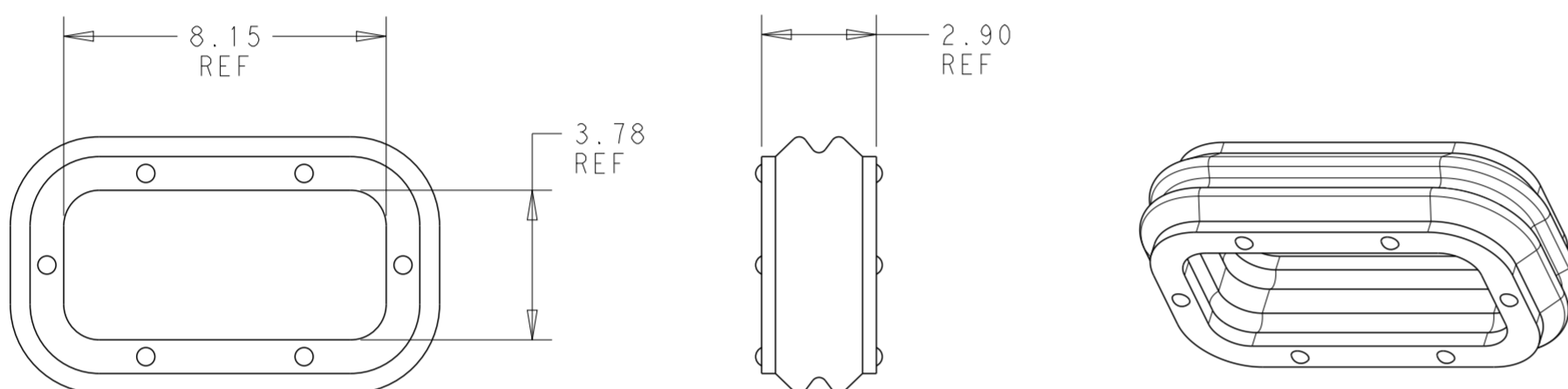


THIS DRAWING IS UNPUBLISHED. RELEASED FOR PUBLICATION 2018
 © COPYRIGHT 2018 BY - ALL RIGHTS RESERVED.

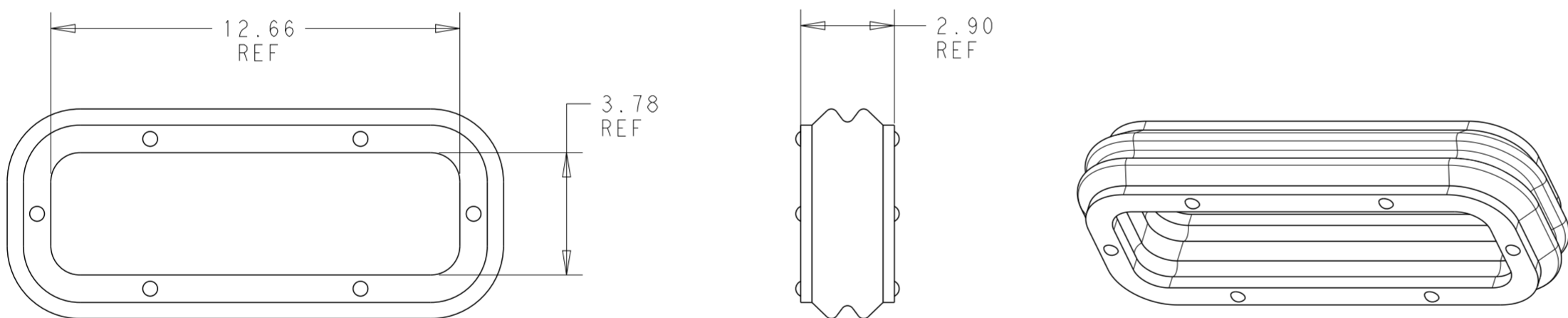
REVISIONS				
P	LTR	DESCRIPTION	DATE	APVD
A		RELEASED PER ECO-19-011398	23JUL2019	BKW CY
A1		REVISED PER ECR-20-100211	08AUG2020	JP VS
A2		REVISED PER ECR-22-146203	18JUL2022	AVN VS



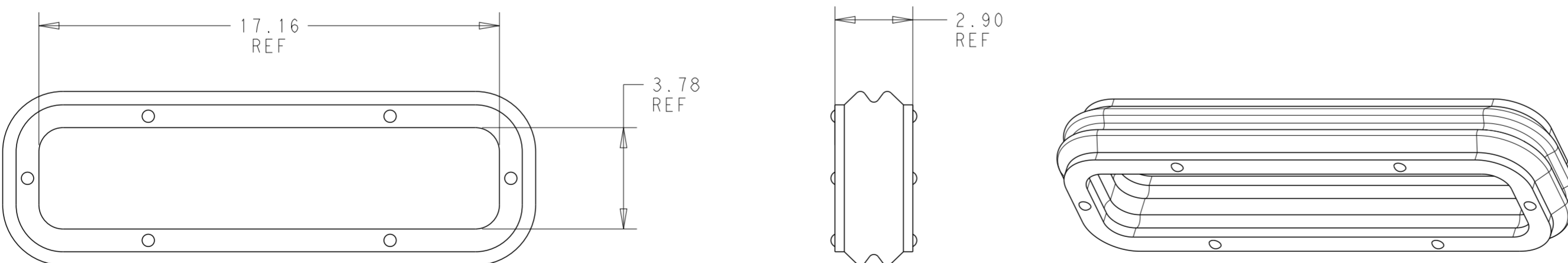
1*1 POSITION



1*2 POSITION



1*3 POSITION



1*4 POSITION

⚠ MATERIAL: SILICONE RUBBER, INHERENTLY LUBRICATED
 COLOR - BLUE

2. MATING PLUG HOUSING P/N'S:
 -2332040-/*-2336229-*/*-2345728-1

⚠ THIS PRODUCT HAS NOT COMPLETED QUALIFICATION TESTING

1*4	⚠ 2325347-4
1*3	2325347-3
1*2	2325347-2
1*1	2325347-1
POSITIONS	PART NUMBER

THIS DRAWING IS A CONTROLLED DOCUMENT.		DWN B. WEAVER 15JUN2018	STE TE Connectivity	
DIMENSIONS: mm		CHK S. FERNANDES 15JUN2018		
TOLERANCES UNLESS OTHERWISE SPECIFIED:		APVD C. YI 15JUN2018	NAME INTERFACE SEAL, POWER VERSA-LOCK	
0 PLC ±	1 PLC ±	PRODUCT SPEC 108-143081	SIZE A2	CAGE CODE 00779
2 PLC ±	3 PLC ±	APPLICATION SPEC 114-143082	DRAWING NO C-2325347	RESTRICTED TO -
4 PLC ±	ANGLES ±	WEIGHT -	SCALE 6:1	SHEET 1 OF 1
FINISH -	-	CUSTOMER DRAWING	REV A2	