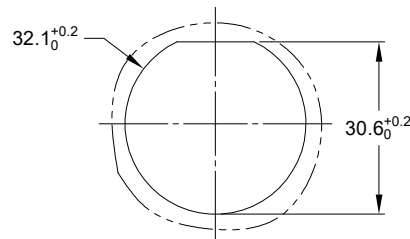
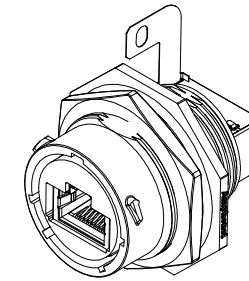
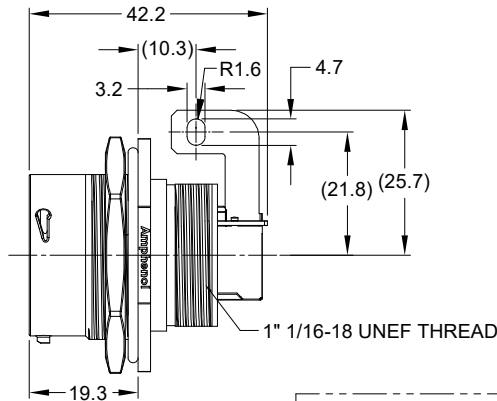
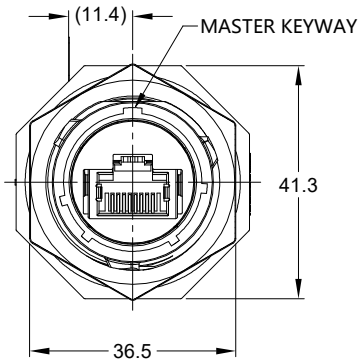
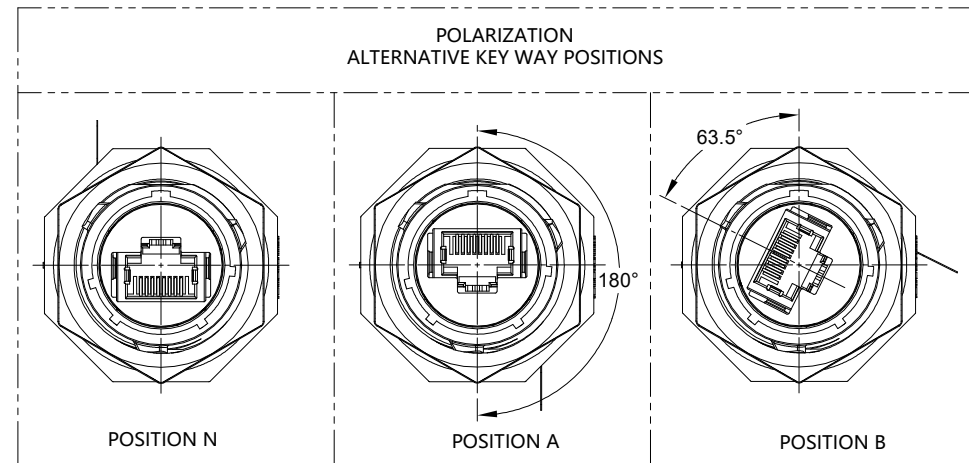


REVISIONS					
REV	ECO	DESCRIPTION	DATE	BY	APPR
A1	-	RELEASE DRAWING	FEB-04-2021	KEVIN	TOMMY
A2	-	UPDATED OPERATING TEMPERATURE	APR-28-2021	RONALD	TOMMY
A3	-	UPDATE THE DESCRIPTION	MAR-23-2022	JUN	TOMMY
A4	-	ADD NOTES 2.6	DEC-1-2022	JUN	TOMMY



PANEL CUT OUT REFERENCE



NOTES: (UNLESS OTHERWISE SPECIFIED)

- MATERIAL:
 - SHELL: THERMOPLASTIC, UL94 V-0.
 - INSERT: THERMOPLASTIC, UL94 V-0.
 - O-RING: NBR/SILICONE RUBBER.
 - SEAL GASKET: NBR/SILICONE RUBBER.
 - JAM NUT: ALUMINIUM ALLOY, BLACK ANODIZING.
- SPECIFICATIONS:
 - 2.1 RATED CURRENT: 1.5A (MAX).
 - 2.2 RATED VOLTAGE: 125V(AC/DC).
 - 2.3 OPERATING TEMPERATURE: -40°C ~ +105°C.
 - 2.4 INSULATION RESISTANCE: 1000 MEGOHMS MIN.
 - 2.5 IP--CLASS: IP67 AND IP69K IN THE MATED CONDITION.
 - (A4) 2.6 RJ45 COMPONENT: CAT5E.
 - 2.7 MATING CYCLES DURABILITY: 250 CYCLES MIN.
 - 2.8 RoHS COMPLIANT.
- MATING PART: RTS6BS18*RJ03-S3 PLUGS
RTS6BS18*RJ03-S3-TW PLUGS
(" * " = N,A,B KEYS;)
- ALL DIMENSIONS ARE FOR REFERENCE USE ONLY.

KEY	PART NUMBER
N	RTS718NRJ03-U1
A	RTS718ARJ03-U1
B	RTS718BRJ03-U1

SEE CHART		REF UTS718RJFN UTS718RJFA UTS718RJFB	
PART NUMBER		DESCRIPTION	
QUANTITY	MATERIALS LIST		
UNLESS OTHERWISE SPECIFIED		SIGNATURES DATE	
1) All dimensions are in metric(mm).		DRAWN: JUN DEC-1-2022	
2) Tolerances are as follows:		CHECKED:	
1 PL DEC ±0.30 Fractions ±1/64		ENGINEER:	
2 PL DEC ±0.15 Angles ±1°		APPROVAL:	
3) Note reference =		CUSTOMER:	
MATERIAL SPECIFICATIONS:		THIS DRAWING IS SUPPLIED FOR INFORMATION ONLY. DESIGN FEATURES, SPECIFICATIONS AND PERFORMANCE DATA SHOWN HEREON ARE THE PROPERTY OF THE AMPHENOL CORPORATION. NO RIGHTS OF REPRODUCTION ARE IMPLIED. ALL DIMENSIONS ARE SUBJECT TO NORMAL MANUFACTURING VARIATIONS.	
PROCESS SPECIFICATIONS:		SIZE TYPE DWG NO. REVISION	
NEXT ASSY:		B C- RTS718*RJ03-U1 A4	
		SCALE NONE SHEET 1 OF 1	

TITLE: EcoMate Aquarius, RECEPTACLE, JAM NUT SIZE 18 ,8POS,RJ45
 DWG NO.: RTS718R-J03-U1
 REV: A4
 SH: 1
 OF: 1