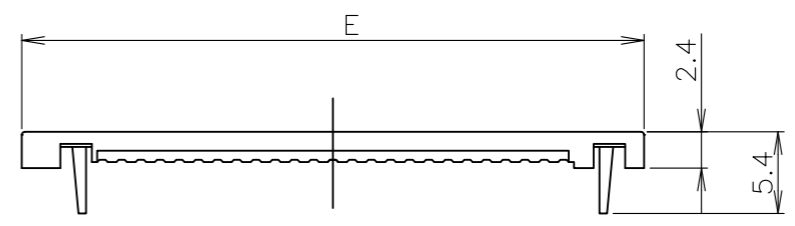
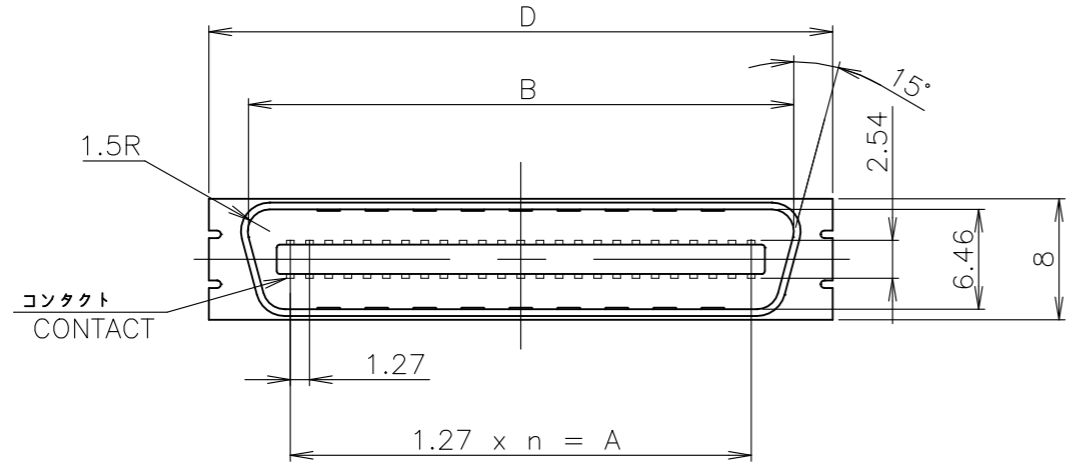
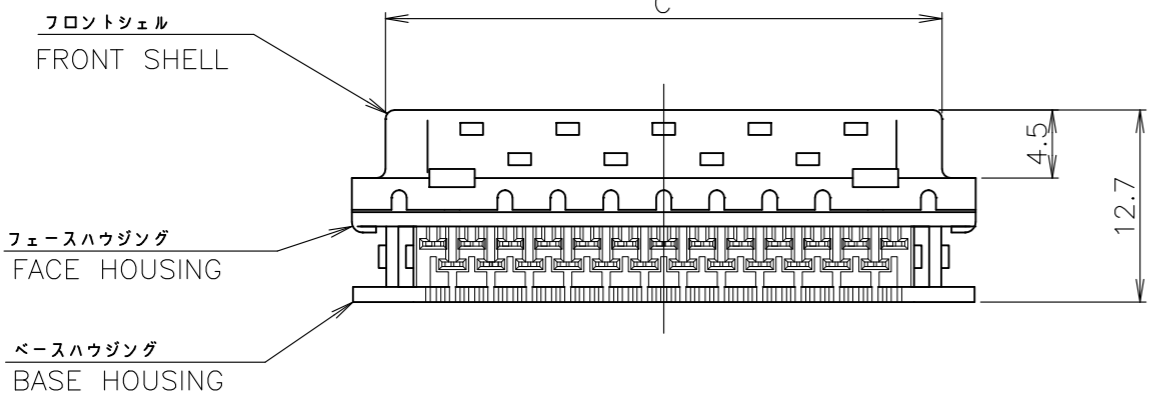
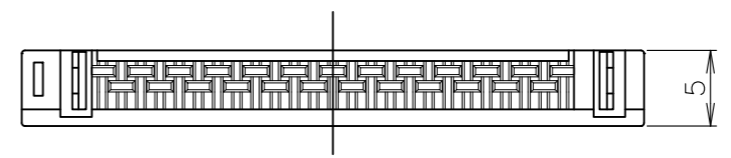


THIS DRAWING IS UNPUBLISHED. RELEASED FOR PUBLICATION
 © COPYRIGHT By - ALL RIGHTS RESERVED.

REVISIONS				
P	LTR	DESCRIPTION	DATE	APVD
	C1	REVISED PER ECN-22-179428	17OCT2022	AK SZ



COVER HOUSING
(2EA/KIT)



OBSOLETE	49.53	54.69	55.7	60.3	60.2	0.76u	39	80	3-5175677-0
	62.23	67.45	68.4	73.0	72.9	0.76u	49	100	2-5175677-9
	41.91	47.13	48.0	52.7	52.6	0.76u	33	68	2-5175677-8
	30.48	35.70	36.6	41.3	41.2	0.76u	24	50	2-5175677-7
	21.59	26.81	27.7	32.4	32.3	0.76u	17	36	2-5175677-5
OBSOLETE	15.24	20.46	21.4	26.0	25.9	0.76u	12	26	2-5175677-4
OBSOLETE	11.43	16.65	17.6	22.2	22.1	0.76u	9	20	2-5175677-2
OBSOLETE	7.62	12.84	13.7	18.4	18.3	0.76u	6	14	2-5175677-1
	49.53	54.69	55.7	60.3	60.2	0.3 u	39	80	1-5175677-0
	62.23	67.45	68.4	73.0	72.9	0.3 u	49	100	5175677-9
OBSOLETE	41.91	47.13	48.0	52.7	52.6	0.3 u	33	68	5175677-8
OBSOLETE	30.48	35.70	36.6	41.3	41.2	0.3 u	24	50	5175677-7
	21.59	26.81	27.7	32.4	32.3	0.3 u	17	36	5175677-5
OBSOLETE	15.24	20.46	21.4	26.0	25.9	0.3 u	12	26	5175677-4
OBSOLETE	11.43	16.65	17.6	22.2	22.1	0.3 u	9	20	5175677-2
OBSOLETE	7.62	12.84	13.7	18.4	18.3	0.3 u	6	14	5175677-1
	A	B	C	D	E	Au.PLATING	n	POS	PART No.

- NOTE
- MATERIAL & FINISH
 - *CONTACT; COPPER ALLOY Au PL.0.3 AND 0.76 MIN. AT CONTACT AREA AND TIN PL. AT I.D. AREA OVER Ni PL.
 - *FRONT SHELL; STEEL, Ni PL.
 - *HOUSING(BASE,FACE,COVER); THERMO-PLASTIC,GF,UL 94V-0. BLACK
 - APPLICABLE WIRE; PLEASE CONFIRM TO TE CONNECTIVITY ENGINEERING.

TOLERANCES UNLESS OTHERWISE SPECIFIED 一般公差	
10 ≧	±0.2
30 ≧	> 10 ±0.25
100 ≧	> 30 ±0.3
ANGLES ±3°	

THIS DRAWING IS A CONTROLLED DOCUMENT.

DWN COREL.WANG 19APR05	TE Connectivity Ltd. CHAMP .050 PLUG CONN. KIT			
CHK STEVEN YAO 19APR05				
APVD I.ENOMOTO 19APR05				
PRODUCT SPEC				
APPLICATION SPEC	NAME			
WEIGHT 0.000000	SIZE A3	CAGE CODE 00779	DRAWING NO C-5175677	RESTRICTED TO
MATERIAL SEE NOTES	FINISH SEE NOTES	SCALE 2:1		SHEET 1 OF 1
CUSTOMER DRAWING		REV C1		

WIRE RANGE 7/0.127mm(AWG#28)	INSULATION DIA 0.5~0.7 mmφ
---------------------------------	-------------------------------