

Contact assignment:

1	white	■
2	brown	■
3	green	■
4	yellow	■
5	grey	■
6	pink	■
7	blue	■
8	red	■
Shielding coupling nut/screw		■

Technical specification:

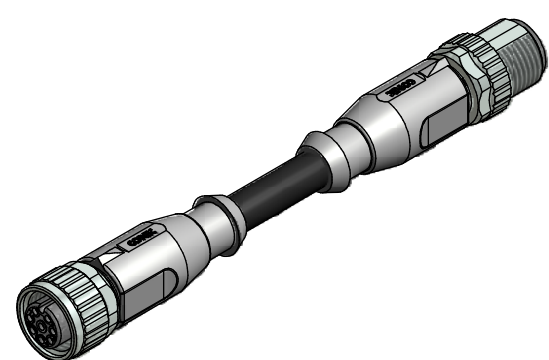
Rated voltage:	30 V
IEC 61076-2-101	
Current rating:	2 A at 40°C
IEC 61076-2-101	
Insulation resistance:	>=100 MΩ
IEC 60512	
Pollution degree:	3/2
IEC 60664-1	
Degree of protection:	IP 67, in mated condition
IEC 60529	
Temperature range:	-30°C ... +80°C
Mating cycles:	>=100
IEC 60512-9a	

Materials:

Contact:	CuZn
Contact plating:	Nickel, gold plated
Contact carrier:	TPU
Sealing:	FPM
Coupling nut/screw:	GD-Zn, nickel plated
Moulding body:	TPU, UL 94, grey

Installation specification:

Recommended torque:	0,6 Nm
Conec installation tool:	Torque wrench: 36-000200 Insert across flats 13: 36-000220



Part no:	Description:	Length L:	Cable:
43-10992	SAL - 12S - RK8 - RS8 - 0,3 / G2	0,3m	TPU, UL 20549, black, 8x0,25mm ² Cable: 781-G22800
43-10993	SAL - 12S - RK8 - RS8 - 0,6 / G2	0,6m	
43-10994	SAL - 12S - RK8 - RS8 - 1,5 / G2	1,5m	
43-10995	SAL - 12S - RK8 - RS8 - 3,0 / G2	3m	
43-xxxxx	SAL - 12S - RK8 - RS8 - ... / G2	x	

D see data sheet cable

DO NOT ALTER CAD DRAWING BY HAND Directive 2011/65/EU RoHS compliant	Index: b 12.08.14 MG Ä5280 material of contact carrier changed, data sheet revised	dim. in mm	title: Connecting cable M12x1, 360°-shielding, female connector axial - male connector axial	
	tolerance of cable: L ≤ 4m: L + 40mm L > 4m: L + 1%			date: 08.03.07 name: Fromm
	general tolerance: 0 ± 0,50mm 0,0 ± 0,25mm 0,00 ± 0,10mm	appd.: 08.03.07 name: Mankopf		dwg no: 43K1A418
	THIS DRAWING MAY NOT BE COPIED OR REPRODUCED IN ANY WAY, AND MAY NOT BE PASSED ON TO A THIRD PARTY WITHOUT WRITTEN PERMISSION. OWNERSHIP AND COPYRIGHT OF CONEC GmbH	part no: see table		