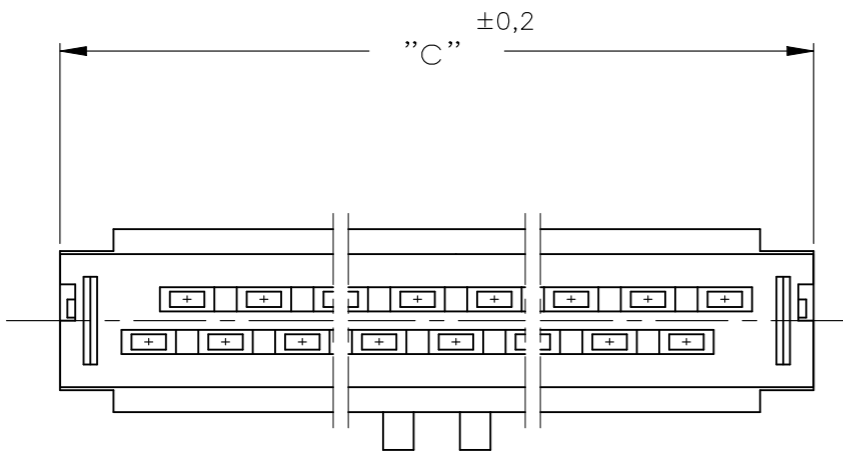
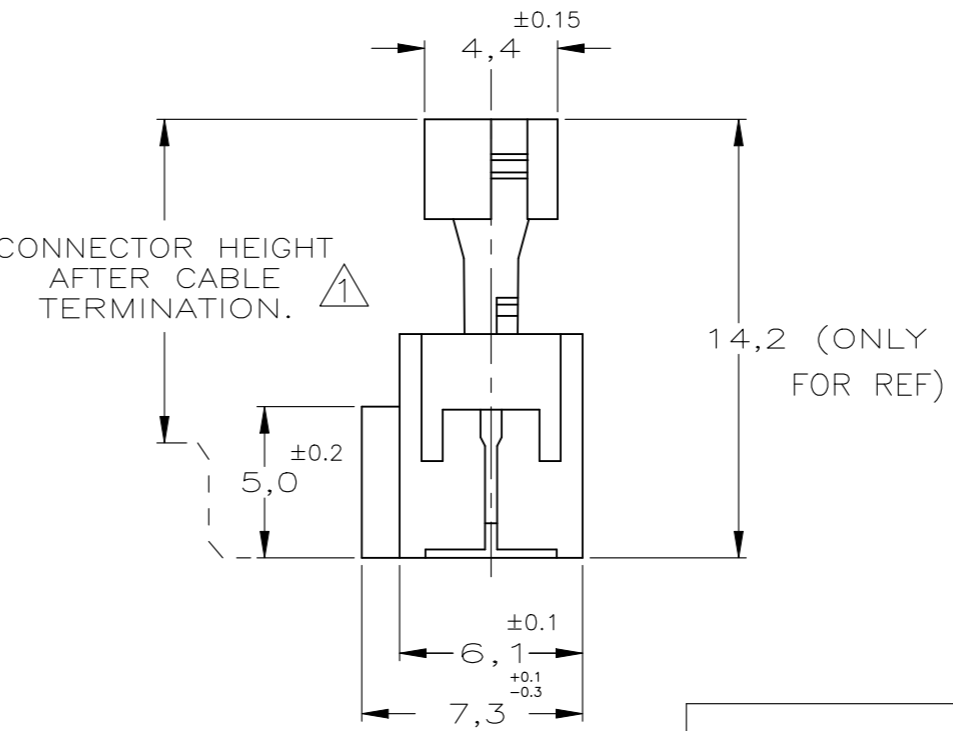
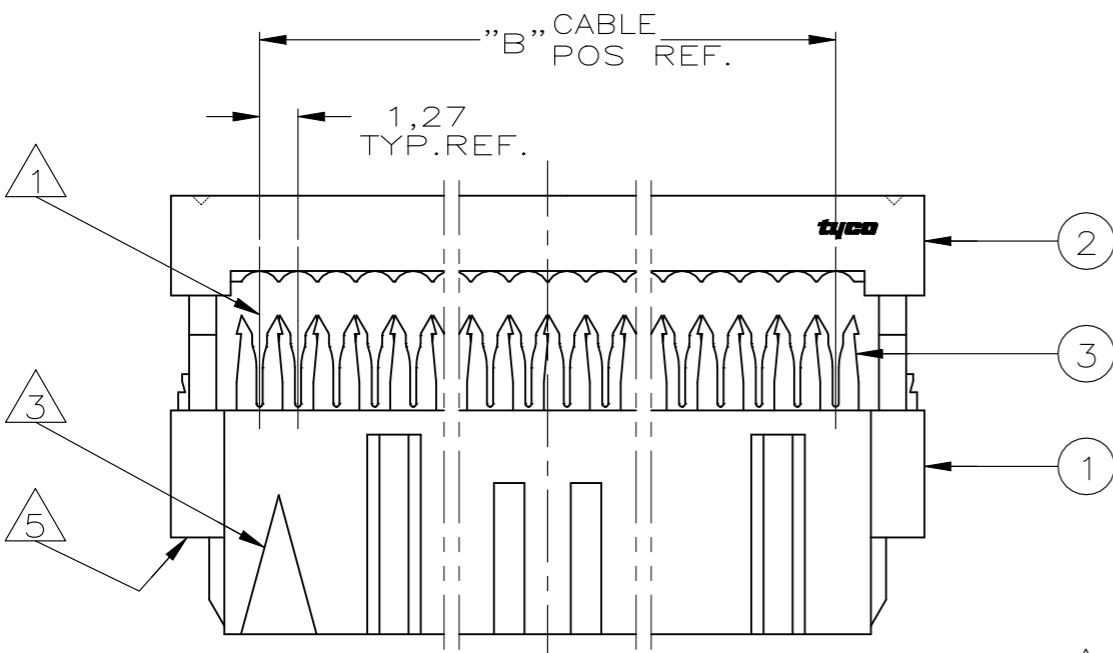


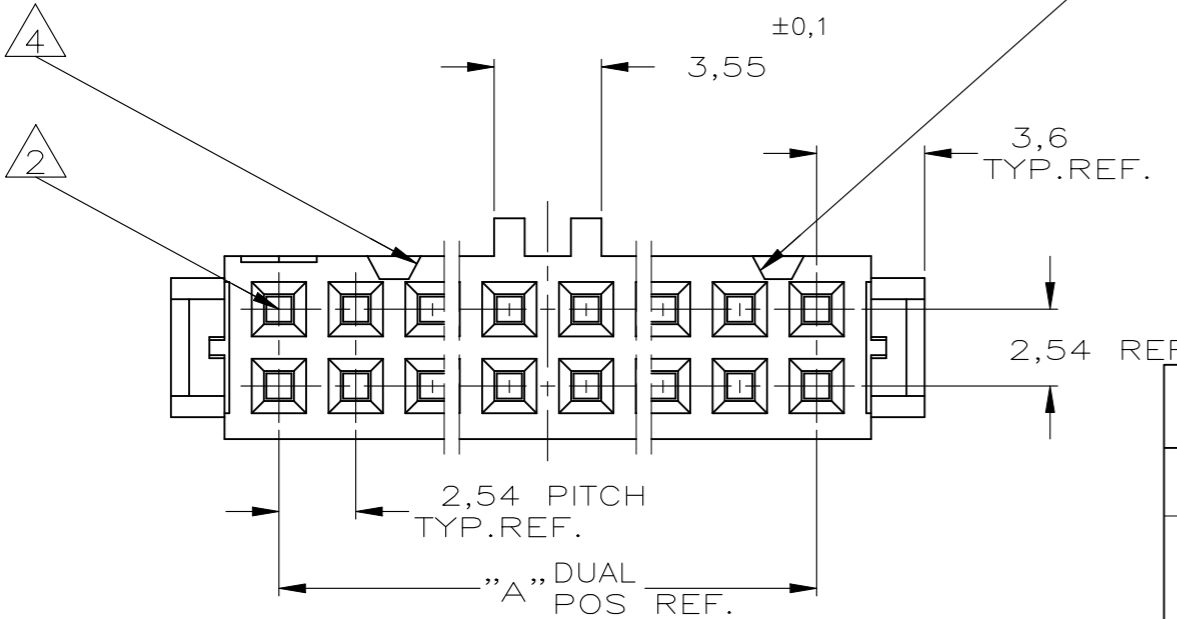
REVISIONS					
P	LTR	DESCRIPTION	DATE	DWN	APVD
	F1	REVISED PER ECR-21-115231	07JUN2023	GC	WH



- NOTES:**
- ① CONNECTOR IS DESIGNED FOR FLAT RIBBON CABLE ON 1,27 CENTERS . FOR CABLE REQUIREMENTS SEE AMP APPLICATION SPECIFICATION 114-19022.
 - ② THESE RECEPTACLE CONNECTORS MATE WITH 0,64^{±0,05} mm SQUARE OR ROUND POSTS ON 2,54mm GRID.
 - ③ MARK INDICATING FIRST CABLE POSITION REFERRING TO CONTACT POSITION.
 - ④ THERE IS NO POLARIZATION-SLOT AT THIS END IN 6, 10 AND 14 POS CONNECTORS.
 - ⑤ THESE CONNECTORS CAN BE USED IN CONJUNCTION WITH STRAIN-RELIEF COVERS OF PARTNR: 182762.
 - ⑥ THERE IS NO POLARIZATION-SLOT AT THIS END IN 6 POS CONNECTORS.
 - ⑦ PRODUCT SPECIFICATION 108-19033.
 - ⑧ OBSOLETE PARTS: OBSOLETE CIS STREAMLINING PER D.RENAUD/D.SINISI



DIM."C"	"B" CABLE POS.	"A" DUAL POS.	PARTNUMBER	PART REV.
85,9	64	32	6-215911-4	D
80,8	60	30	6-215911-0	D
68,1	50	25	5-215911-0	D
60,5	44	22	4-215911-4	D
55,4	40	20	4-215911-0	D
47,8	34	17	3-215911-4	D
42,7	30	15	3-215911-0	D
37,6	26	13	2-215911-6	D
30,0	20	10	2-215911-0	D
24,9	16	8	1-215911-6	D
22,4	14	7	1-215911-4	D
17,3	10	5	1-215911-0	D
OBSOLETE	14,8	8	0-215911-8	C
OBSOLETE	12,2	6	0-215911-6	D
OBSOLETE	9,7	4	0-215911-4	C



COMPONENT NAME	MATERIAL	PLATING / COLOUR
③ RECEPTACLE CONTACT	PHOSPHORBRONZE Cu Sn6	AT CONTACT-PLACE: 0,2µmGOLD AT WIRING END: 2,5µmTIN ENTIRE UNDERCOATING: 1,27µmNICKEL
② COVER	THERMOPLASTIC POLYESTER UL 94 -V0	BLACK BK015 (ONLY FOR REF.)
① HOUSING		

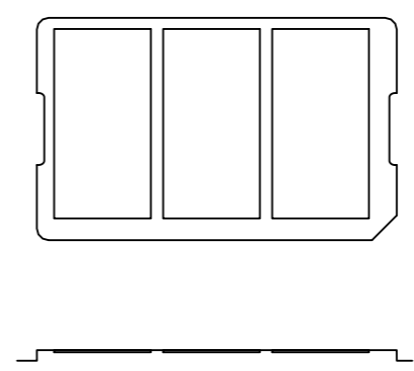
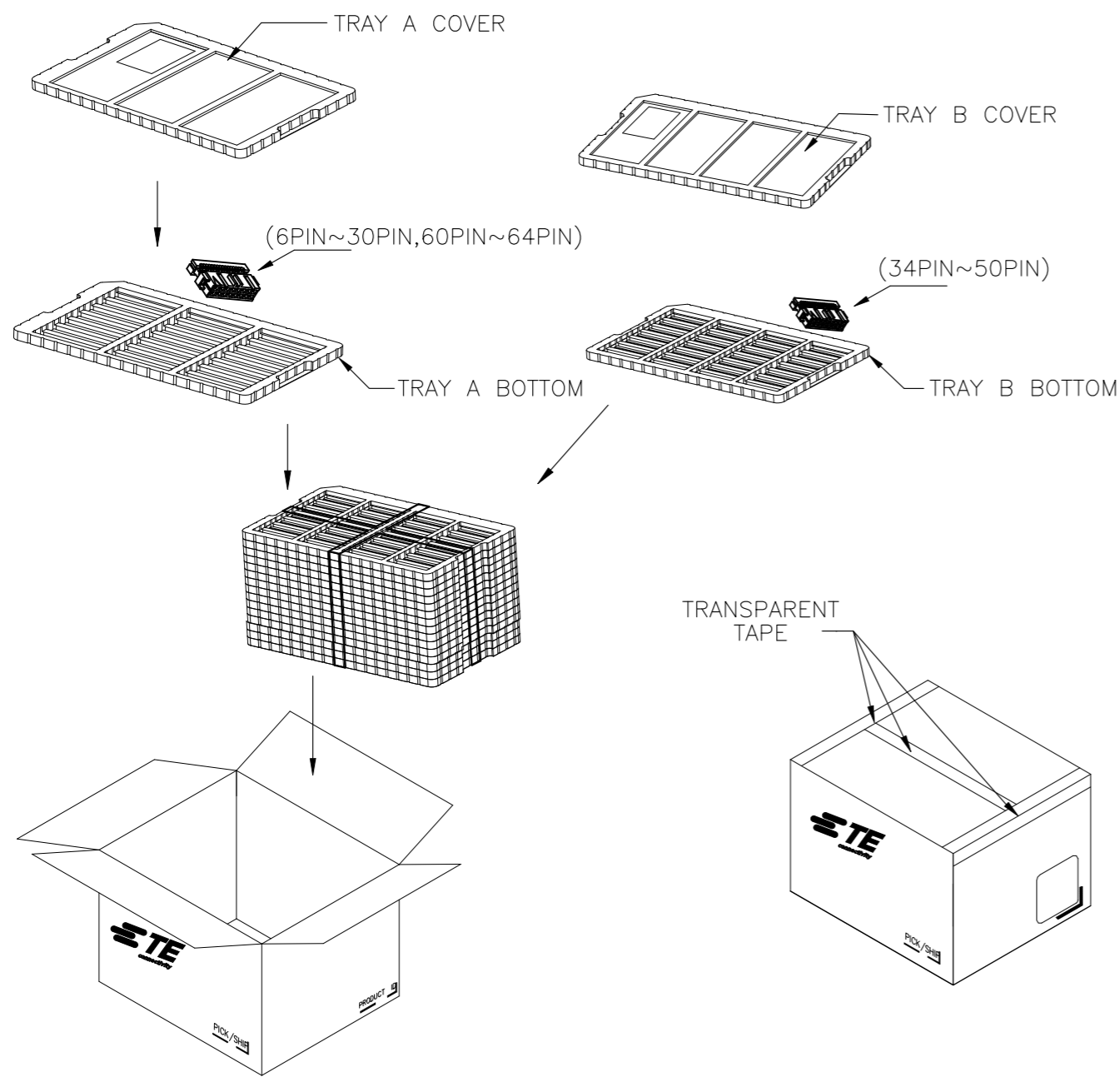
THIS DRAWING IS A CONTROLLED DOCUMENT.

DIMENSIONS: mm	TOLERANCES UNLESS OTHERWISE SPECIFIED:	DWN W.R.VERBEET 04FEB1988	TE Connectivity Ltd.
	0 PLC ± -	CHK R.VERSTIJNEN 05FEB1988	
	1 PLC ± -	APVD L.V.SOEST 05FEB1988	
	2 PLC ± -	NAME	
MATERIAL SEE TABLE	FINISH SEE TABLE	PRODUCT SPEC -	AMP-LATCH_MIL-TYPE RECEPTACLE_CONNECTOR ASSEMBLY_(SYMMETRIC_COVER)
		APPLICATION SPEC -	SIZE A3
		WEIGHT -	CAGE CODE 00779
			DRAWING NO C-215911
			RESTRICTED TO -

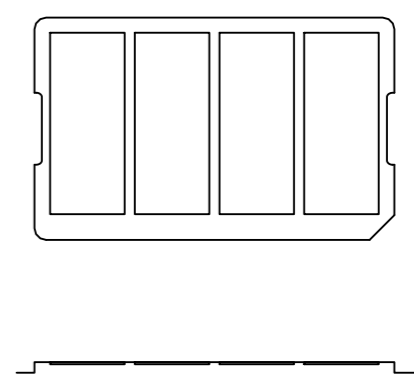
CUSTOMER DRAWING SCALE 4:1 SHEET 1 OF 2 REV F1

REVISIONS					
P	LTR	DESCRIPTION	DATE	DWN	APVD
-	-	SEE SHEET 1	-	-	-

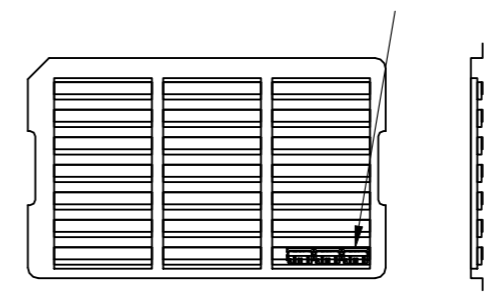
PACKAGING SPECIFICATION



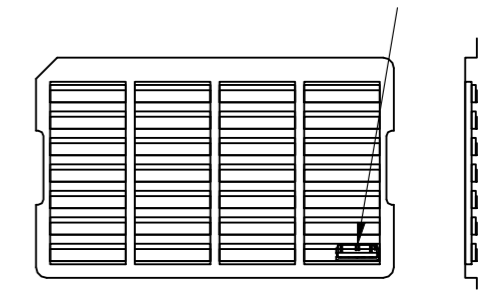
TRAY A COVER



TRAY B COVER



TRAY A BOTTOM



TRAY B BOTTOM

THIS DRAWING IS A CONTROLLED DOCUMENT.		DWN W.R.VERBEET.	04FEB1988	TE Connectivity Ltd.	
DIMENSIONS: mm		CHK R.VERSTIJNEN	05FEB1988		
		APVD L.V.SOEST	05FEB1988		
TOLERANCES UNLESS OTHERWISE SPECIFIED:		PRODUCT SPEC		NAME	
0 PLC	± -	APPLICATION SPEC		AMP-LATCH_MIL-TYPE	
1 PLC	± -	WEIGHT		RECEPTACLE_CONNECTOR	
2 PLC	± -	CUSTOMER DRAWING		ASSEMBLY_(SYMMETRIC_COVER)	
3 PLC	± -	SCALE		DRAWING NO	
4 PLC	± -	SHEET		RESTRICTED TO	
ANGLES	± -	2 OF 2		-	
FINISH	-	REV		F1	
MATERIAL	-	SCALE		-	
		SHEET		2 OF 2	
		REV		F1	
		SCALE		-	
		SHEET		2 OF 2	
		REV		F1	