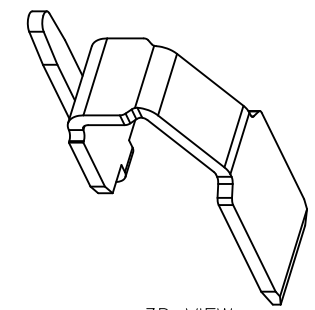
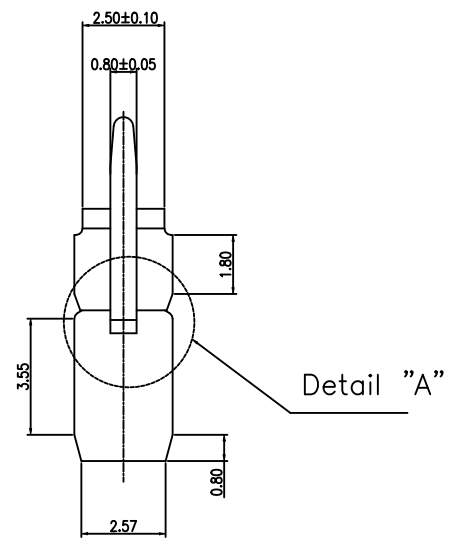
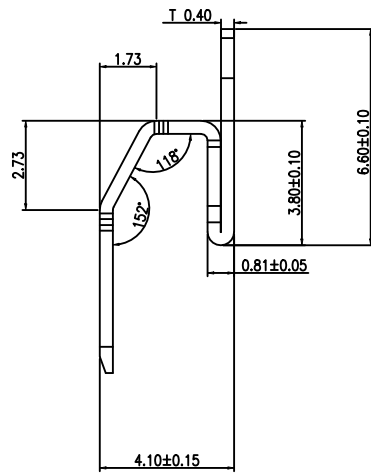
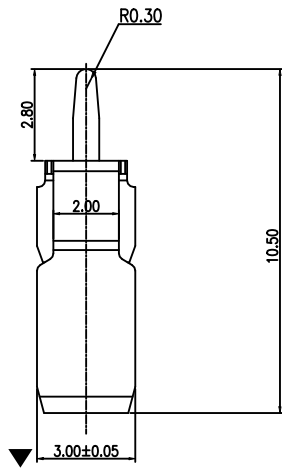
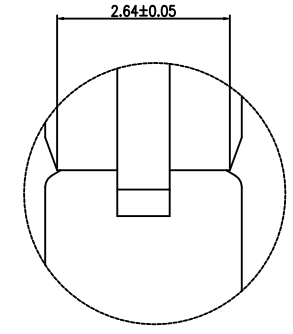


REV.	ECR/ECN No.	DESCRIPTION	DRAWN/DATE	CHECKED/DATE	APPROVED/DATE
C	ECN2022152	UPDATE FRAME	Abner 2022-09-28	Staven 2022-09-28	Sam 2022-09-28



3D VIEW

Detail "A"



Detail "A" SC: 2:1

NOTES:

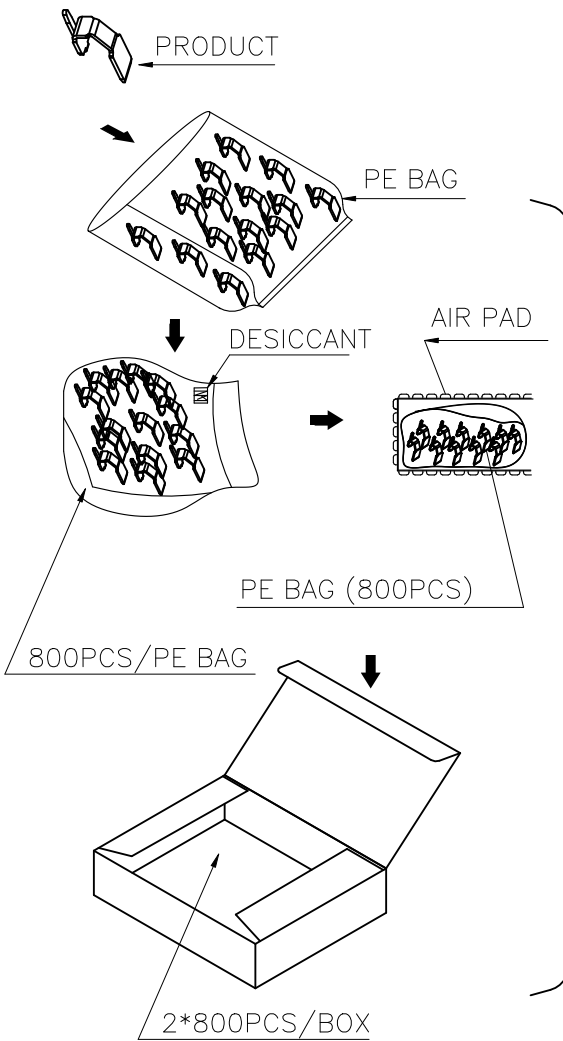
1. MATERIAL: COPPER ALLOY T=0.40mm;
2. FINISH: (SOLDERABLE BRIGHT) Ni 40-120u" UNDER PLATING OVER ALL.
3. ALL MATERIALS COMPLY WITH ROHS MANAGEMENT;
4. WITH "▼" MUST BE CPK CONTROL.

UNLESS OTHERWISE SPECIFIED TOLERANCES				ANGLE OF PROJECTION		Amphenol AORORA	
X.	±0.30	X. °	± 5'			Amphenol Aorora Technology (Huizhou) Co.,Ltd TITLE: H4.1 SPRING	
X.X	±0.25	X.X °	± 4'				
X.XX	±0.20	X.XX °	± 3'	DOC TYP Customer Drw		PART NUMBER: Z01G-4C7J2-11000-E000 REV. C	
X.XXX	±0.15	X.XXX °	± 2'	DRAWN DATE	Jessy 2016-09-07		
LINEAR DIMS		ANGLES DIMS		DESIGN DATE	Jessy 2016-09-07	SIZE	A4
DWG NO.: A-S0365				CHECKED DATE	Andy 2016-09-07	SCALE	1:1
MATERIAL SEE NOTES				APPROVED DATE	Judy 2016-09-07	UNIT : mm	SHEET 1 OF 1
FINISHED SEE NOTES							

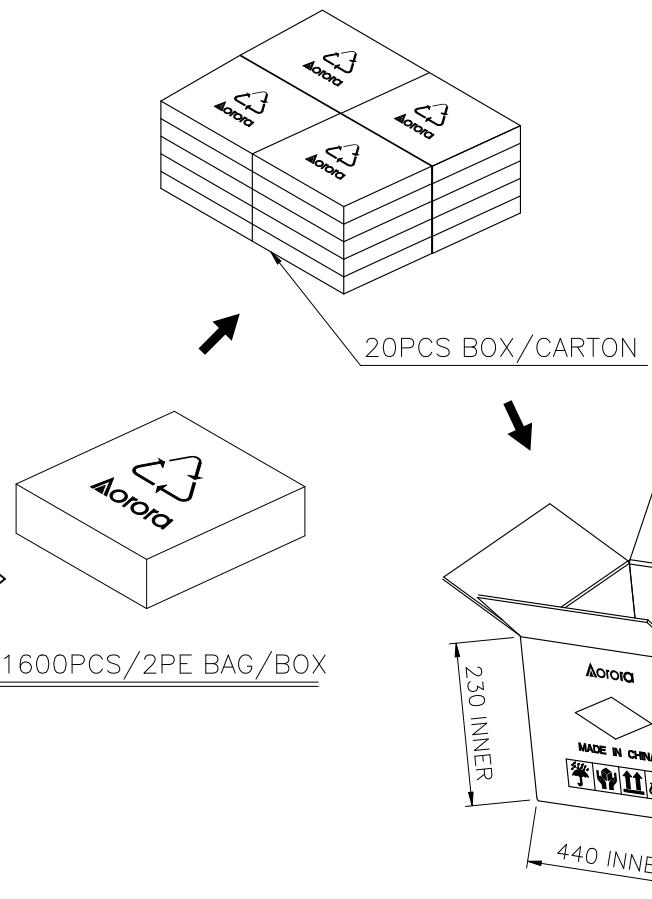


This document is the property of and embodies CONFIDENTIAL and PROPRIETARY information of AMOR. No part of the information shown on this document may be used in any way or disclosed to others without the written consent of AMOR. © 2019 AMOR

1:PACK IN TO BOX



2:PACK IN TO CARTON



REV.	ECR/ECN No.	DESCRIPTION	DRAWN/DATE	CHECKED/DATE	APPROVED/DATE
B	ECN2022152	UPDATE FRAME	Abner 2022-09-28	Staven 2022-09-28	Sam 2022-09-28

NOTES:

- 1. PRIMARY PACKING:1600PCS/INNER BOX, 32,000PCS/CARTON.
- 2. PACKING DIMENSIONS:
INNER BOX:210 mm *150 mm *40 mm
CARTON:440 mm *320 mm *230 mm.

This document is the property of and embodies CONFIDENTIAL and PROPRIETARY information of AORORA. No part of the information shown on this document may be used in any way or disclosed to others without the written consent of AORORA. © 2019 AORORA



UNLESS OTHERWISE SPECIFIED TOLERANCES				ANGLE OF PROJECTION		Amphenol AORORA	
X.	±0.25	X.	± 5'			Amphenol Aorora Technology (Huizhou) Co.,Ltd TITLE: H4.1 SPRING	
X.X	±0.20	X.X	± 3'				
X.XX	±0.10	X.XX	± 0.2'	DOC TYPE: Packing Drw		SIZE: A4	PART NUMBER: Z01G-4C7J2-11000-E000
X.XXX	±0.05	X.XXX	± 0.1'	DRAWN DATE: Jessy 2016-10-12	DESIGN DATE: Jessy 2016-10-12		
LINEAR DIMS		ANGLES DIMS		CHECKED DATE: Andy 2016-10-12	APPROVED DATE: Judy 2016-10-12	SCALE: 1:1	UNIT: mm
DWG NO.: A-H0193		MATERIAL: SEE NOTES		FINISHED: SEE NOTES		SHEET: 1 OF 1	