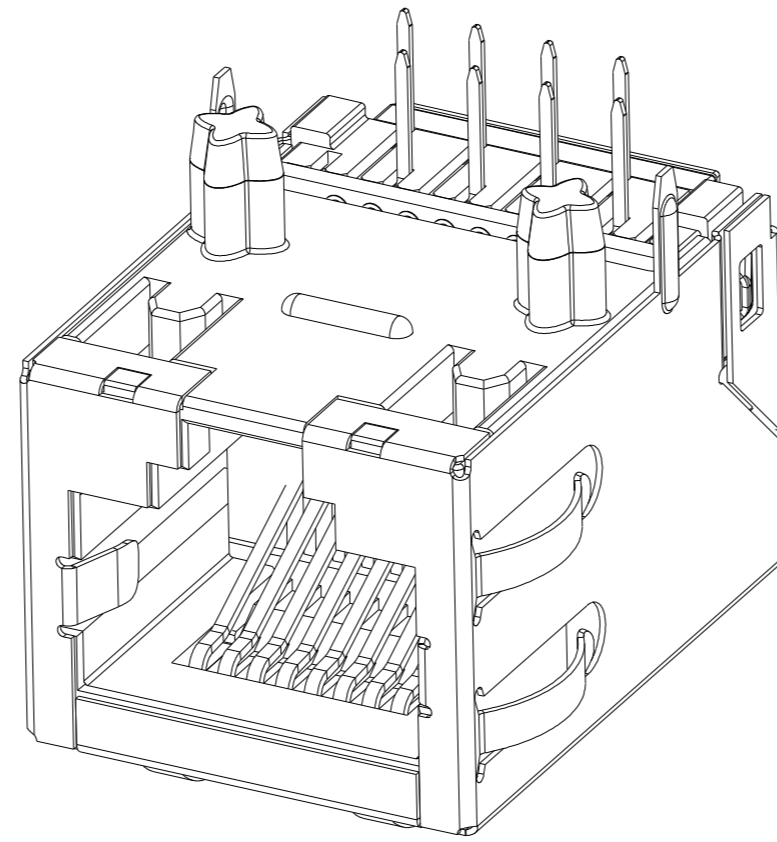
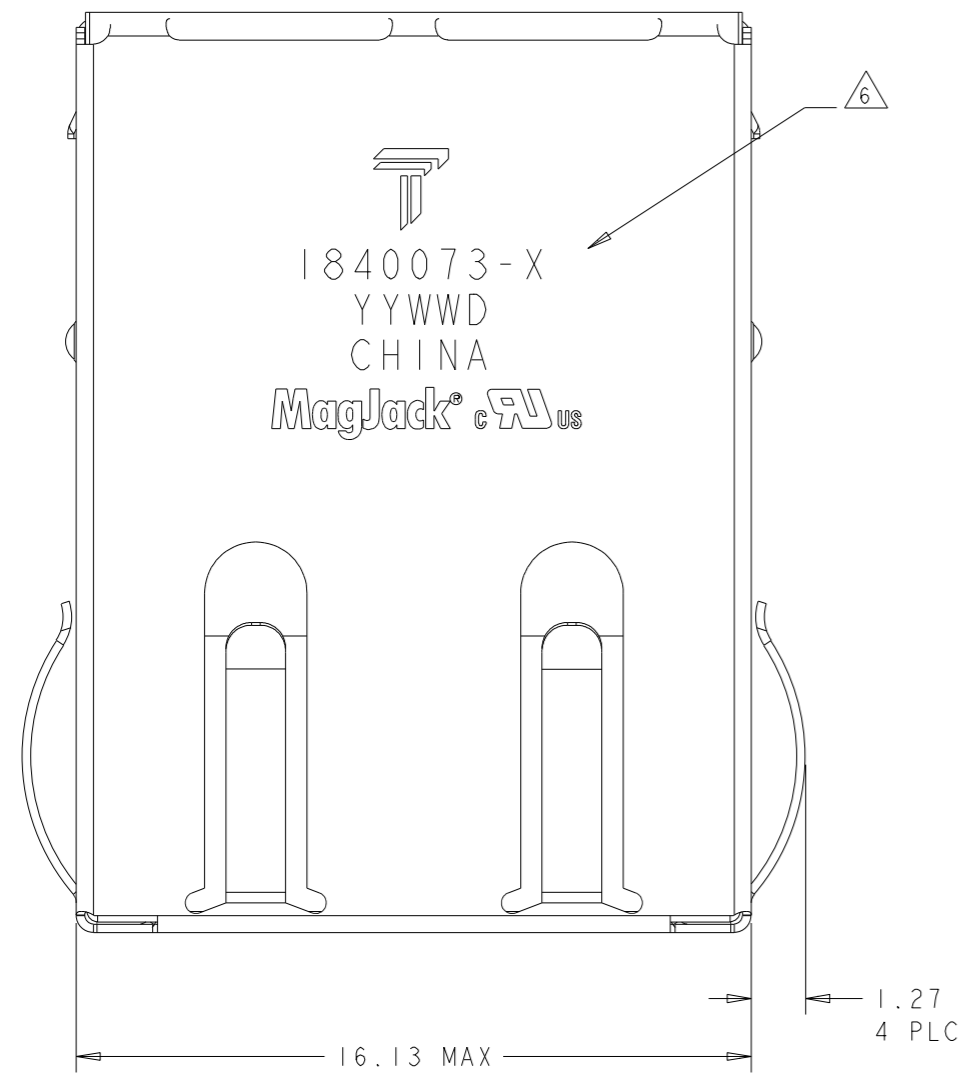


THIS DRAWING AND THE SUBJECT MATTER SHOWN THEREON ARE CONFIDENTIAL AND THE PROPERTY OF BEL/STEWART/TRP CONNECTOR AND SHALL NOT BE REPRODUCED, COPIED, OR USED IN ANY MANNER WITHOUT THE WRITTEN CONSENT OF TRP CONNECTOR.

PRODUCT MAY BE PROTECTED BY ONE OR MORE OF THE FOLLOWING US PATENTS:  
 5736910 5939955 6425781 6428361 6554638 6840817 7123117  
 7429195 7717749 7808751 6217391 6149050 7924130

REVISIONS				
#	LT#	DESCRIPTION	DATE	OWN APVD
3		EC-1411035 COMPANY LOGO CHANGE	22DEC2014	DP TY



1. MATERIALS

- HOUSING: THERMOPLASTIC, FLAMMABILITY RATING UL 94V-0.
- SHIELD: BRASS C26800 0.20mm THICK, PREPLATED WITH 0.76um MIN SEMI-BRIGHT NICKEL. SOLDER TABS POST DIPPED WITH 2.54um MIN SAC SOLDER.
- CONTACTS: PHOSPHOR BRONZE 0.46mm X 0.30mm, PHOSPHOR BRONZE, 1.27um MIN NICKEL UNDERPLATE, WITH 1.27um MIN GOLD PLATING AT MATING INTERFACE AND 2.54um MIN MATTE TIN ON SOLDER TAILS, OR 1.27um MIN NICKEL UNDERPLATE, WITH 0.05um GOLD PLATING OVER 0.76um MIN PALLADIUM NICKEL PLATING AT MATING INTERFACE AND 2.54um MIN MATTE TIN ON SOLDER TAILS.
- SOLDER TAILS: 0.25mm THICK, PHOSPHOR BRONZE, 1.27um MIN OVERALL NICKEL UNDERPLATE, 3um TIN PLATE

2. RJ45 JACK CAVITY CONFORMS TO FCC RULES AND REGULATIONS PART 68 SUB PART F.

3. MAGNETICS

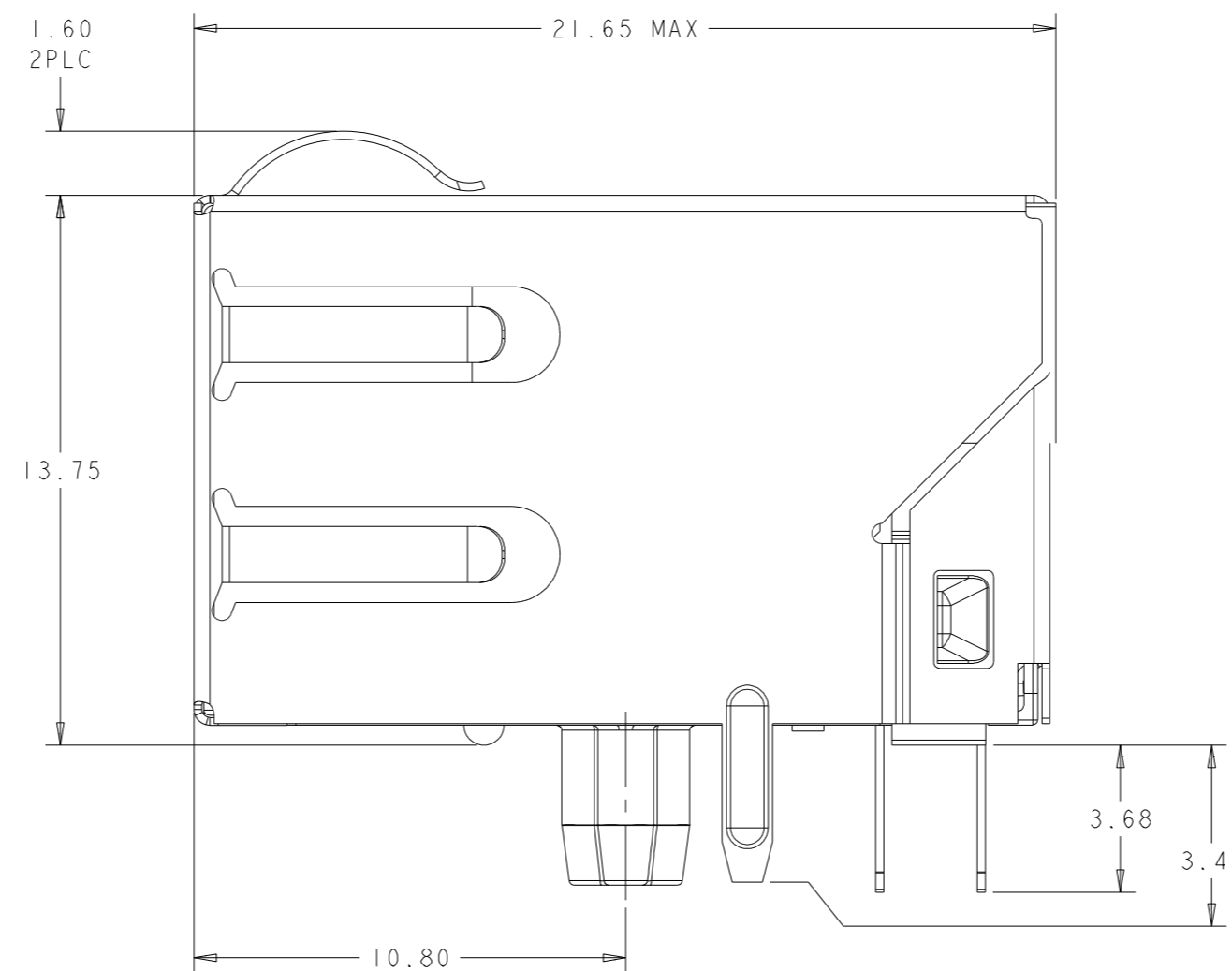
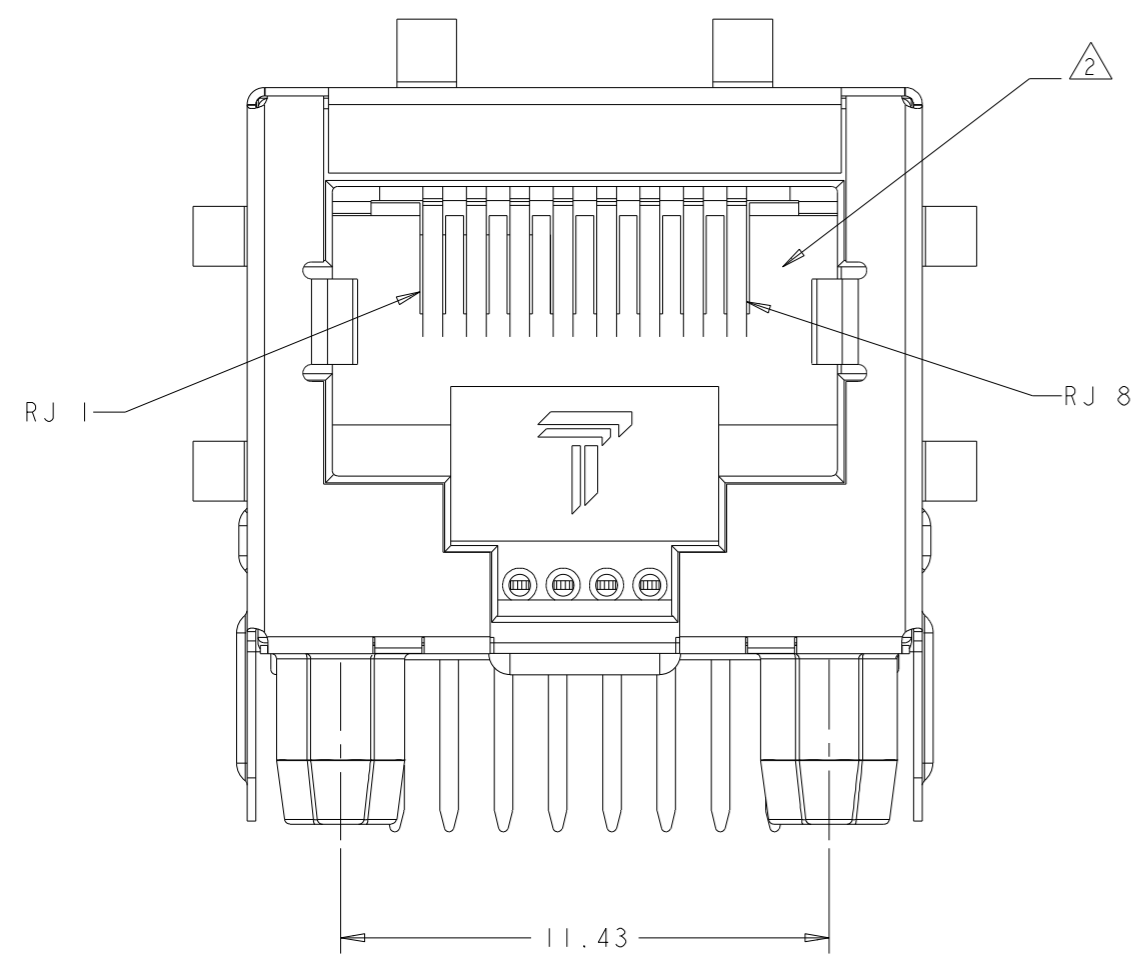
- APPLICATION: 10/100 BASE-T, EXTENDED TEMPERATURE
- IMPEDANCE: 100 OHMS
- TURNS RATIO (CHIP:CABLE): TX = 1:1, RX = 1:1
- OPEN CIRCUIT INDUCTANCE (OCL): 350uH MIN @100kHz, 0.1VRMS, 8mADC BIAS FROM -40°C TO +85°C, TX AND RX
- PERFORMANCE @ 25°C:
  - INSERTION LOSS (IL): 1.1dB MAX FROM 0.5MHz TO 100MHz
  - RETURN LOSS (RL): 18dB MIN FROM 0.5MHz TO 30MHz
  - 18-20LOG(f/30)dB MIN FROM 30.1MHz TO 60MHz
  - 12dB MIN FROM 60.1MHz TO 80MHz
- CROSSTALK ATTENUATION: 35dB MIN FROM 0.5MHz TO 40MHz
- 33-20LOG(f/50)dB MIN FROM 40.1MHz TO 100MHz
- COMMON MODE REJECTION RATIO (CMRR): 30dB MIN FROM 0.5MHz TO 100MHz
- ISOLATION VOLTAGE: 2250VDC FOR 60 SECONDS WITH A RISE TIME OF 500 V/SEC

4. OPERATING TEMPERATURE: FROM -40°C TO +85°C.


5. INDICATED MAGNETIC CONNECTIONS ARE SYMMETRICAL TO SUPPORT AUTO-MDI/MDIX.

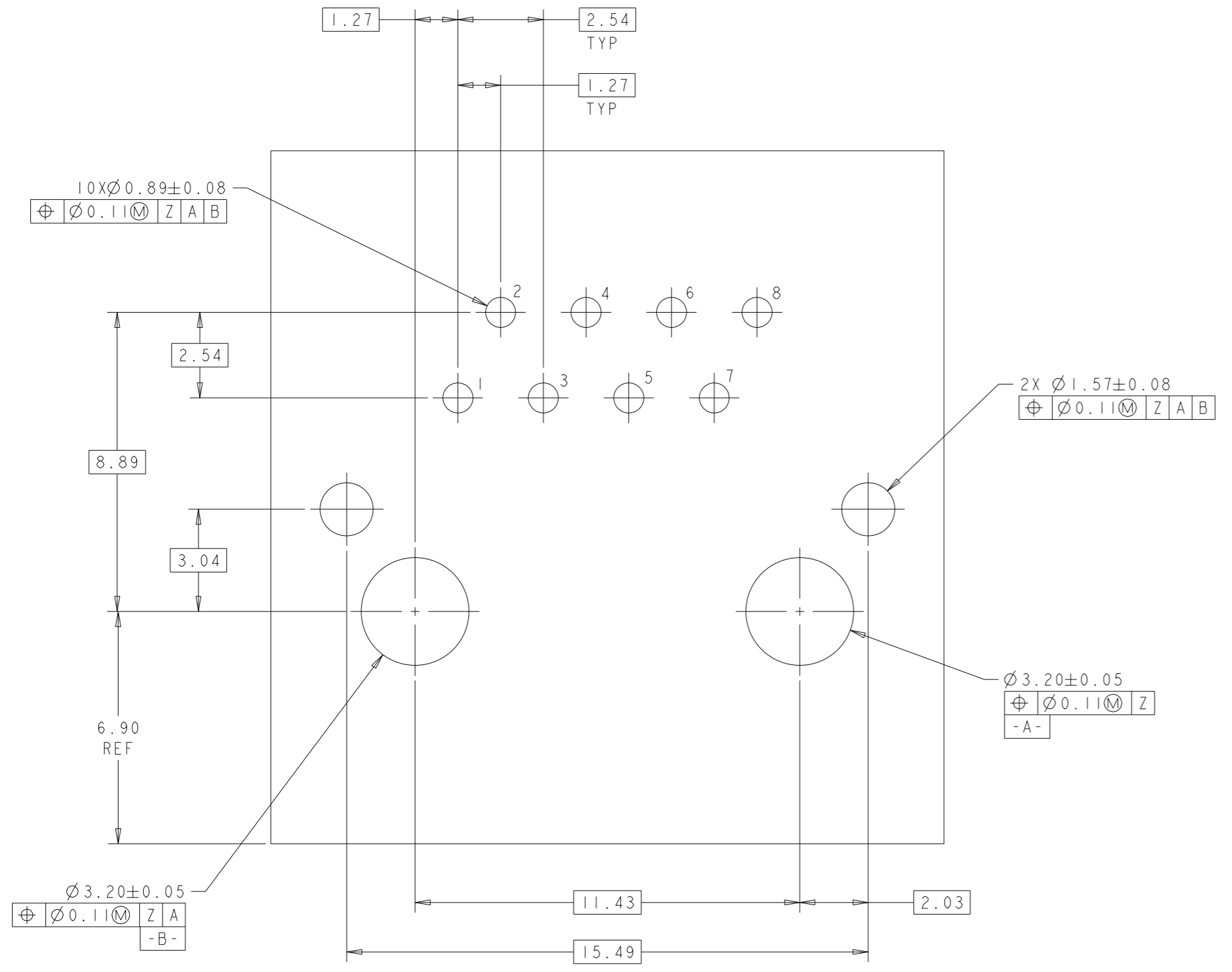
6. TRP CONNECTOR LOGO, PART NUMBER, DATE CODE, COUNTRY OF ORIGIN AND AGENCY APPROVAL MARKING IN APPROXIMATE LOCATION SHOWN.  
 DATE CODE: YYWD WHERE YY IS YEAR, WW IS WORK WEEK, D IS DAY OF WEEK, WITH SUNDAY=1.

7. PART SHOULD BE RECOMMENDED FOR WAVE SOLDERING PROCESS, PREHEAT TEMPERATURE IS 120°C TO 160°C, 120 SECONDS TO 180 SECONDS, PEAK WAVE SOLDERING TEMPERATURE IS 260°C MAX, 10 SECONDS MAX.

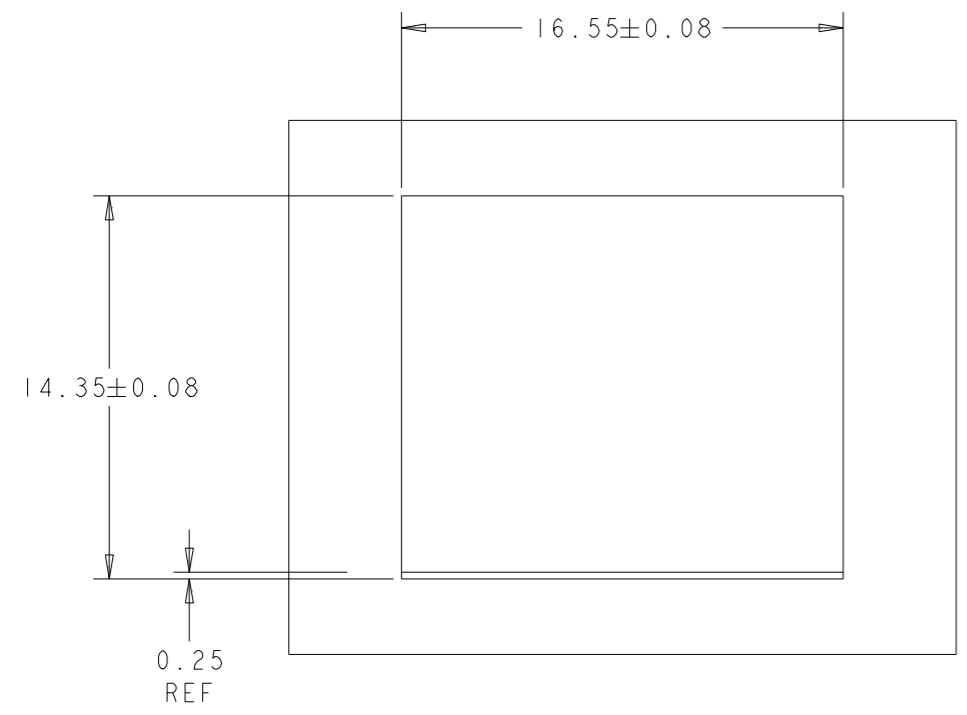


1840073-1  
PART NO.

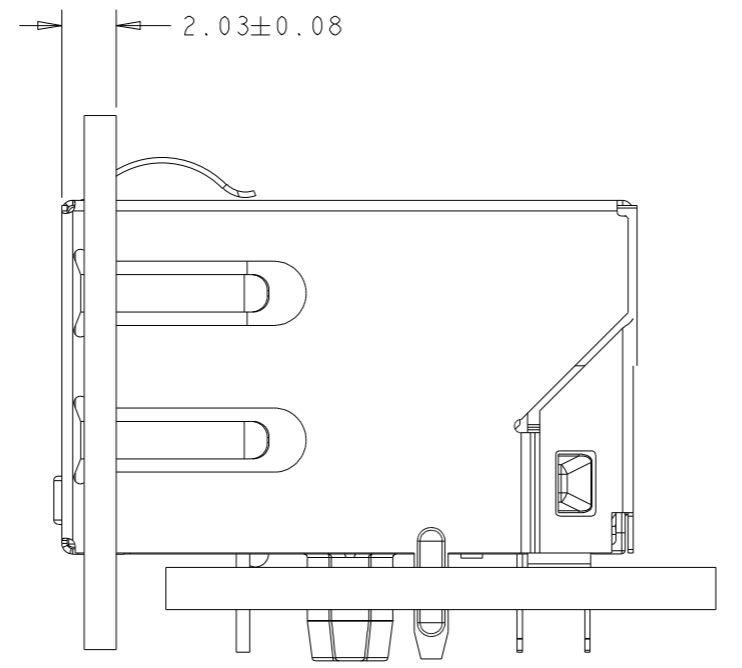
THIS DRAWING IS A CONTROLLED DOCUMENT.		OWN	ROY LIU	09APR2012	 <b>trp</b> CONNECTOR a bel group	DONGGUAN CHINA	
DIMENSIONS:		CHK	TOWER YU/ FRANK LIU	09APR2012		MODEL NAME MAGJACK	DESC 1X1 4261ET 10/100 TAB DOWN W/O LED
mm		APVD	KEITH ZHU	09APR2012			
TOLERANCES UNLESS OTHERWISE SPECIFIED: 0 PLC ±0.25 1 PLC ±0.25 2 PLC ±0.25 3 PLC ± 4 PLC ± ANGLES ± APPLICATION SPEC		PRODUCT SPEC	SINGLE NON-POE			SCALE	SHEET
		CUSTOMER DRAWING		1	4:1	1	3



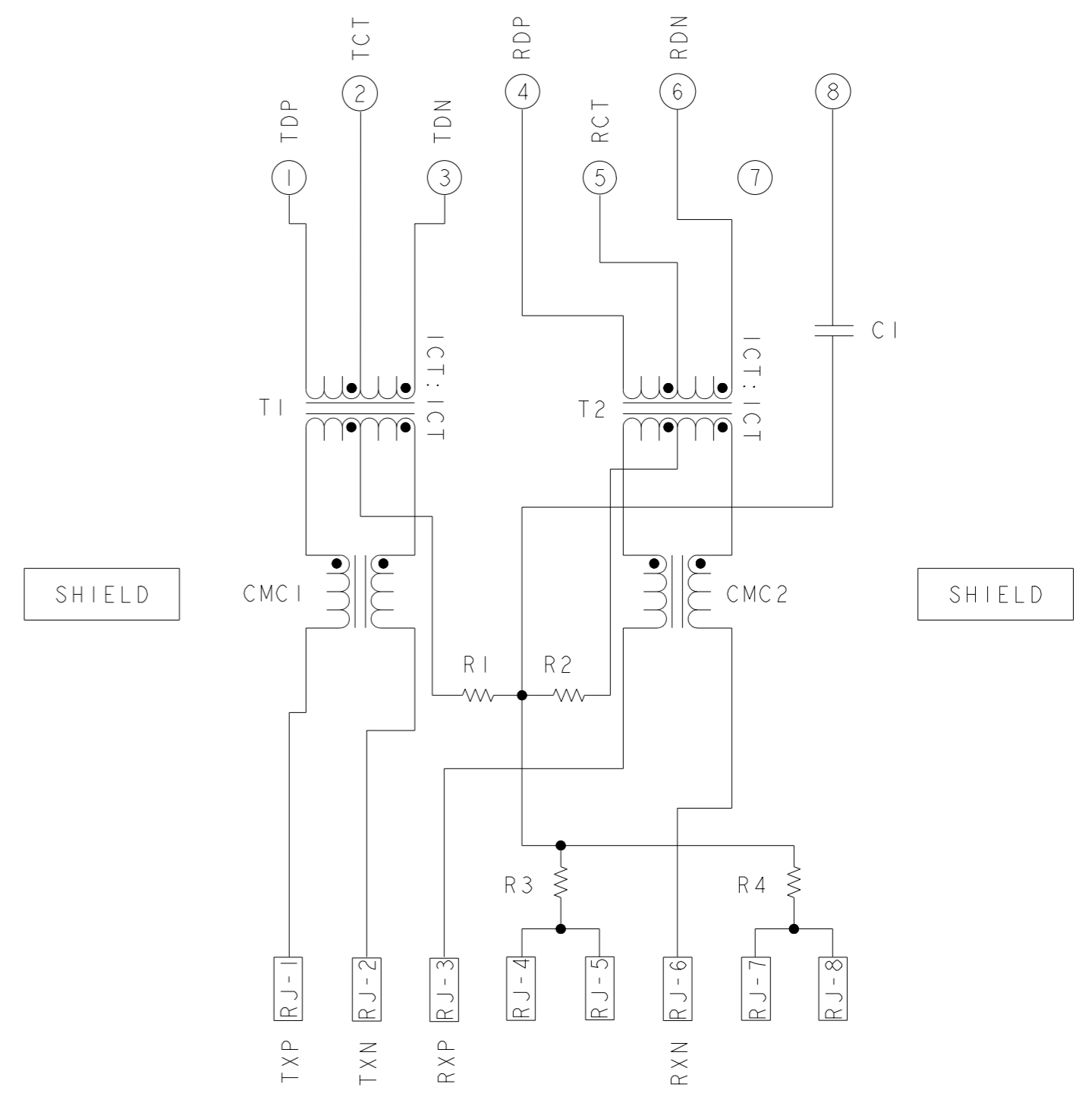
SUGGESTED PCB LAYOUT  
 COMPONENT SIDE



SUGGESTED PANEL CUTOUT  
 SCALE 5:1



426PIET 10/100 BASE-T CIRCUIT

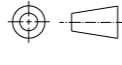



C1= 1000pF, 2kV CAPACITOR  
 R1-R4= 75 Ohms, RESISTORS

THIS DRAWING IS A CONTROLLED DOCUMENT.		OWN ROY LIU 09APR2012	 <b>trp</b> CONNECTOR a bel group DONGGUAN CHINA
DIMENSIONS: mm		CHK TOWER YU/ FRANK LIU 09APR2012	
		APPROV KEITH ZHU 09APR2012	
0 PLC ±0.25 1 PLC ±0.25 2 PLC ±0.25 3 PLC ±0.25 4 PLC ± ANGLES ± APPLICATION SPEC ±		MODEL NAME MAGJACK	
PRODUCT SPEC		DESC 1X1 426PIET 10/100 TAB DOWN W/O LED	RESTRICTED TO
		SIZE A1	CAGE CODE 1840073
		PRODUCT SPEC SINGLE NON-POE	SCALE 4:1
		CUSTOMER DRAWING	SHEET 2 OF 3
			REV 3

1840073						STOCK DISPOSITION			
IXI 426PIET 10/100 TAB DOWN W/O LED						A: CONTINUE AS IS		D: USE OLD FIRST	
REVISION HISTORY						B: REWORK		E: PARTS TO CONFORM	
						C: SCRAP		F: OTHER	
DATE	REV	CHANGES	REASON	APPROVAL	INVENTORY (A,B,C,D,E,F)	WORK IN PROCESS (A,B,C,F)	SUPPLIER ORDERS (A,E,F)	OPEN CUST ORDERS (A,E,F)	
09APR2012	1	INITIAL RELEASE	-	KEITH ZHU	-	-	-	-	
24MAY2013	2	LOGO CHANGE	MARKETING REQUEST	KEITH ZHU	-	-	-	-	
22DEC2014	3	EC-1411035 COMPANY LOGO CHANGE	MARKETING REQUEST	TONY YUAN	-	-	-	-	

THIS DRAWING IS A CONTROLLED DOCUMENT.

DIMENSIONS: mm 	TOLERANCES UNLESS OTHERWISE SPECIFIED: 0 PLC ±0.25 1 PLC ±0.25 2 PLC ±0.25 3 PLC ± 4 PLC ± ANGLES ± APPLICATION SPEC	DWN ROY LIU 09APR2012 CHK TOWER YU/ FRANK LIU 09APR2012 APVD KEITH ZHU 09APR2012 MODEL NAME MAGJACK SINGLE NON-POE CUSTOMER DRAWING	 <b>trp</b> CONNECTOR a bel group DONGGUAN CHINA	DESC IXI 426PIET 10/100 TAB DOWN W/O LED SIZE A1 CAGE CODE DRAWING NO 1840073 RESTRICTED TO SCALE 4:1 SHEET 3 OF 3 REV 3
--	---	--	---	---