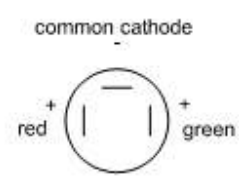
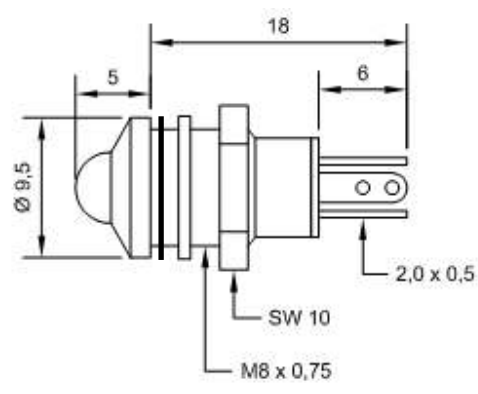


Part Number: 1912X054

Type	Size	Rating	Description
LED	M8	-	LED Prom. Red/Yellow/Green Panel Indicator

Dimensions (mm)



Colour	Voltage	Current (mA)	Intensity (mcd)
Red/Green/Yellow	2.1/2.2/2.2Vdc	30mA max.	10/20/30 @ 20mA

Bezel types - X=0 satin chrome / X=1 black chrome / X=2 matt chrome

Notes:

- 1 Electrical & optical data are measured at an ambient temperature of 25°C
- 2 Luminous intensity at DC
- 3 Storage temperature -25 °C to +80°C
- 4 Application temperature -20 °C to +60°C
- 5 Due to component tolerances, colour temperature variations may be observed
- 6 Sealed to IP67 above panel when supplied gasket used
- 7 The terminals are not qualified for soldering
- 8 The plastic(polycarbonate) has limited chemical resistance
- 9 RoHS & REACH SVHC compliant