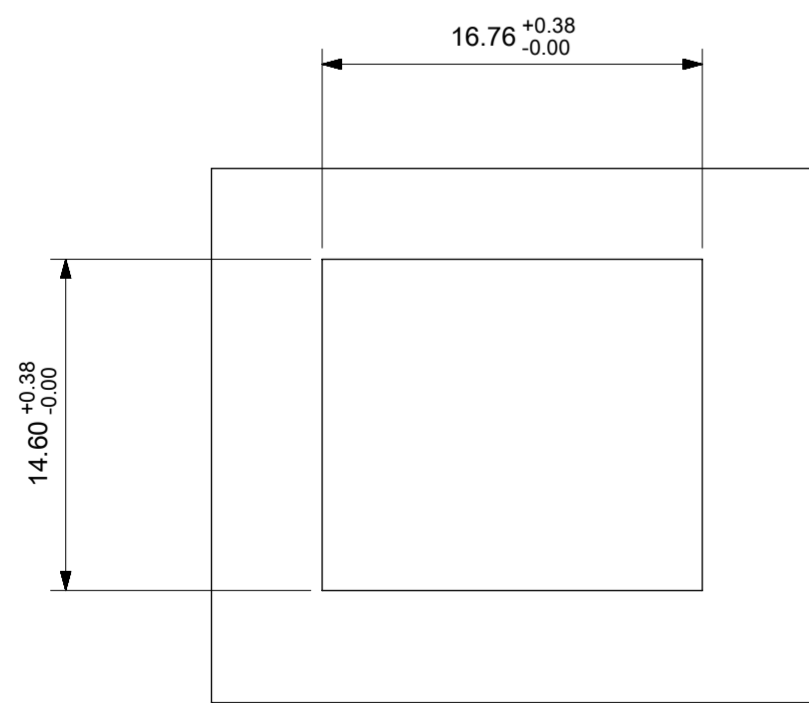
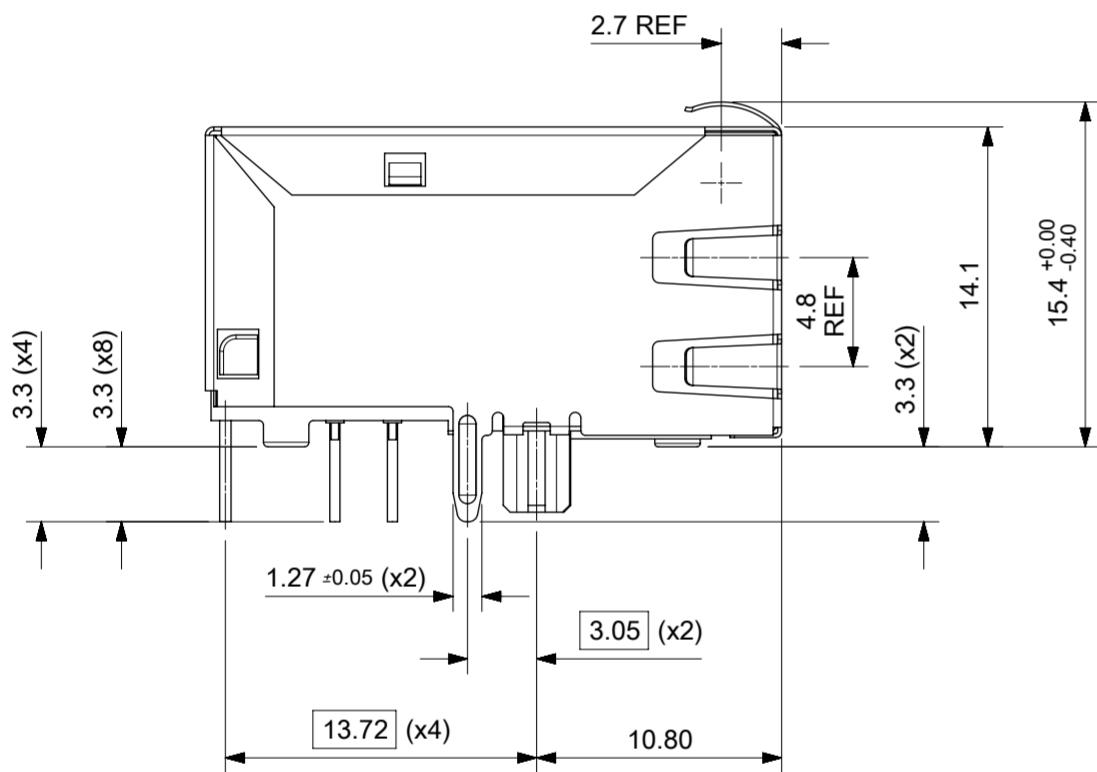
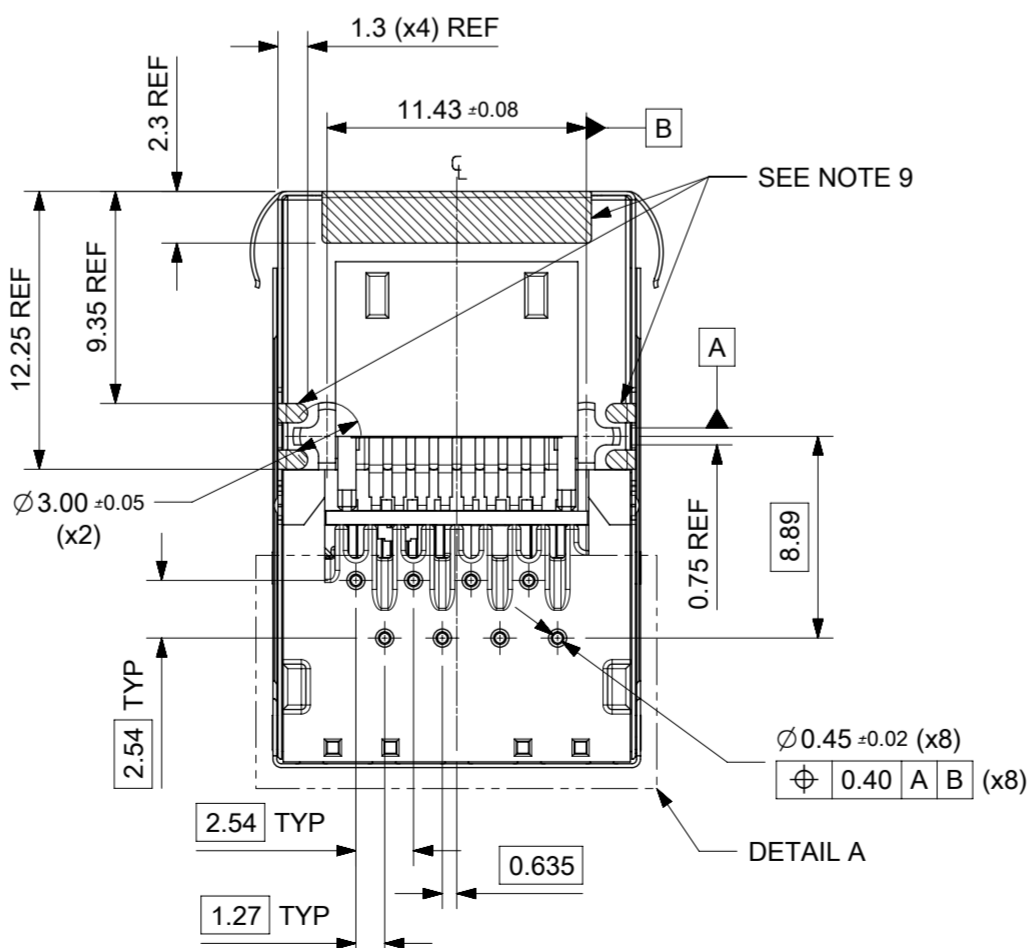
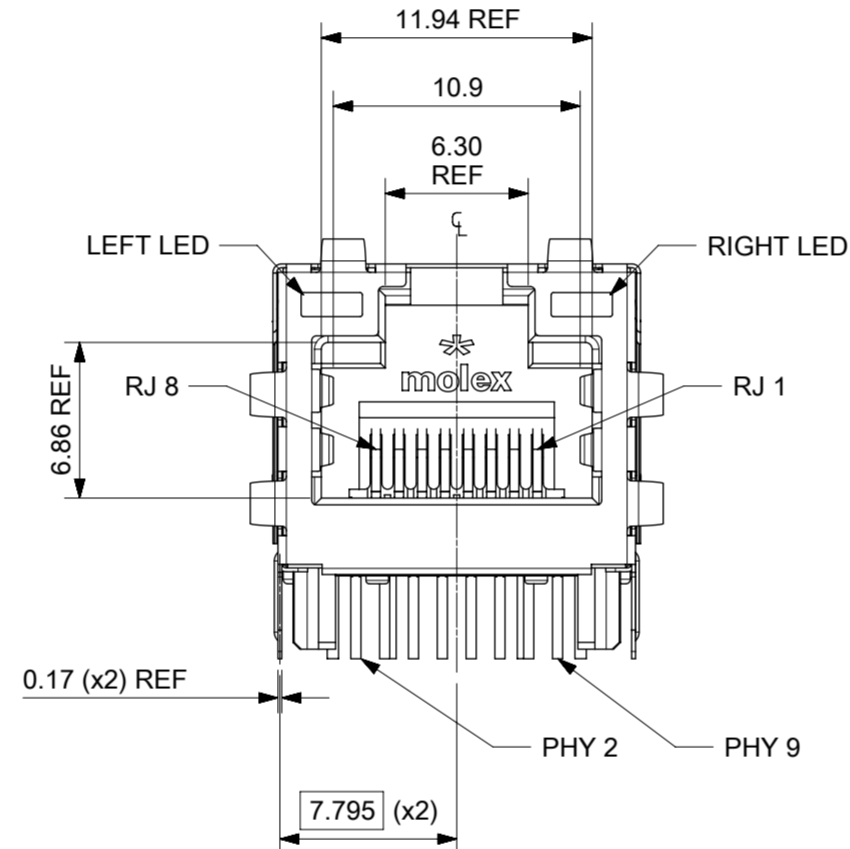
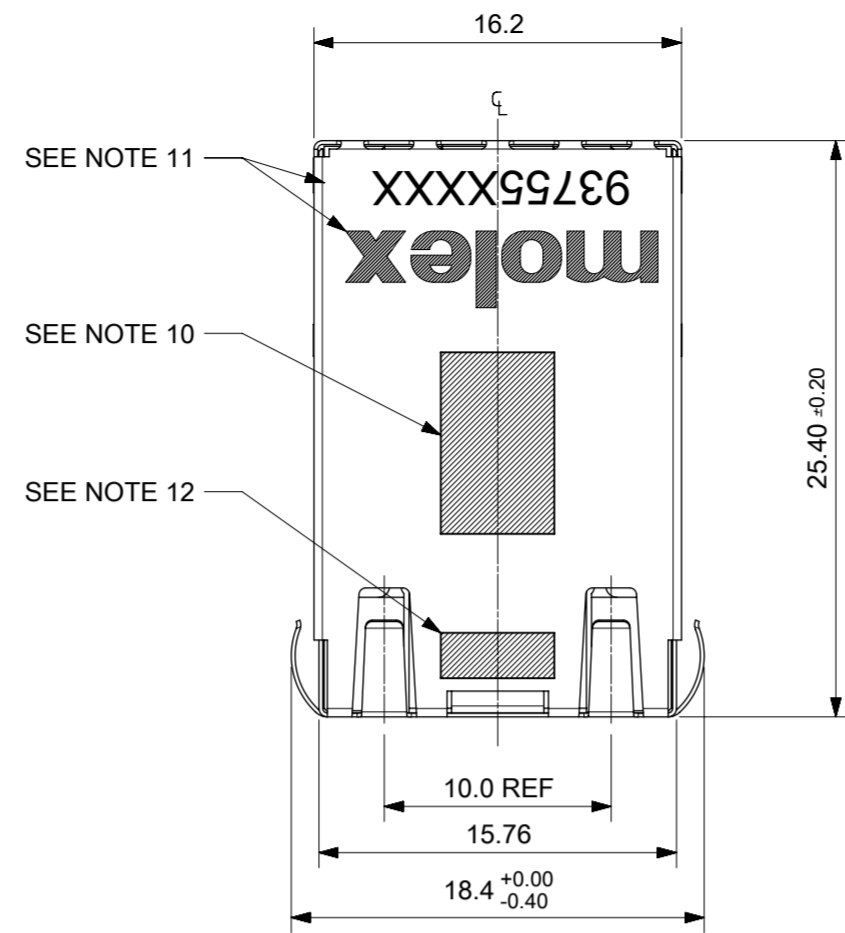


DETAIL A
SCALE 5:1

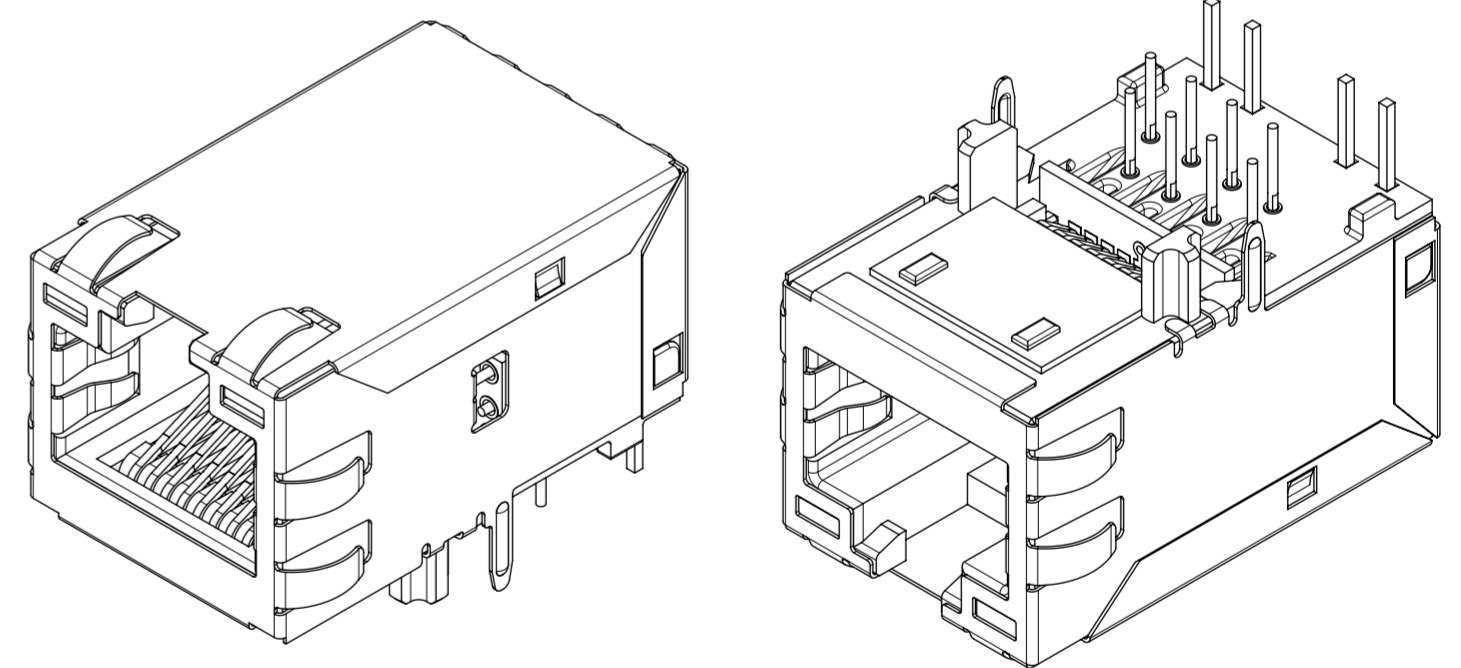


SUGGESTED PANEL CUT OUT



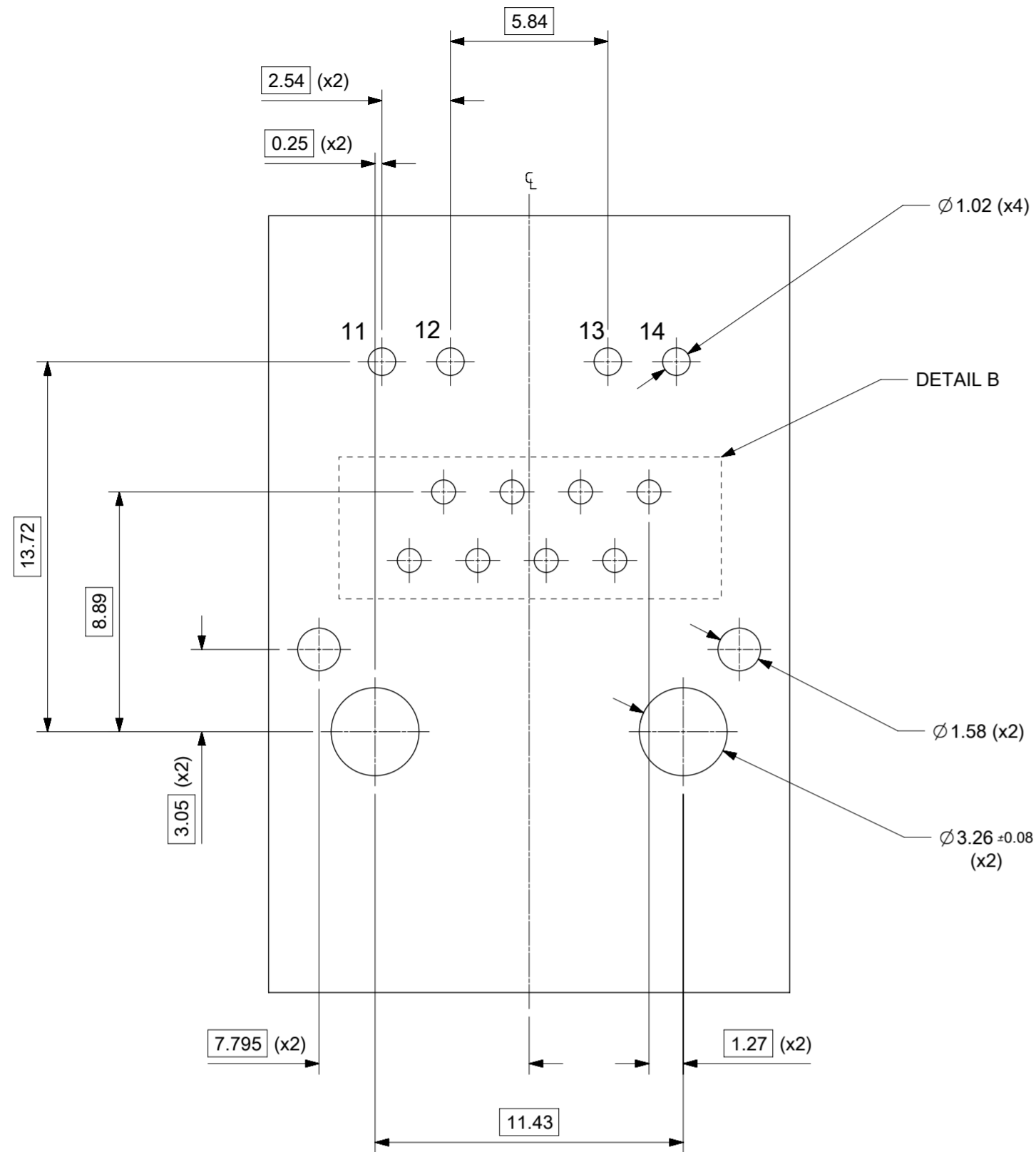
NOTES:

- SHIELD MATERIAL: 0.17 mm THICK BRASS PRE-PLATED WITH NICKEL.
SOLDER TABS POST DIPPED WITH MIN. 1.27 μm TIN
- HOUSING MATERIAL: LCP, BLACK, UL 94V-0.
- TERMINALS MATERIAL: PHOSPHOR BRONZE.
RJ45 CONTACT PLATING: BASE NICKEL, GOLD FLASH OVER PALLADIUM NICKEL.
PHY SOLDER TAILS: COPPER ALLOY.
- MATING INTERFACE ACCORDING TO IEC 60603-7 & TIA-1096-A.
- PRODUCT SPECIFICATION: 934620001 PSP.
- PACKAGING SPECIFICATION: 934620002 PSK TAPE AND REEL.
- STAND OFF TO SYSTEM BOARD 0.30 mm MIN.
- RECOMMENDED PCB THICKNESS: 1.57 mm REF.
- SHIELD: AVOID ROUTING TRACES
OR PLACING ANY VIAS BELOW THESE AREAS.
- AREA FOR PICK AND PLACE: 5.0 mm x 8.0 mm
- INSCRIPTION MARKED BY LASER:
1st : MOLEX
2nd : P/N (SEE BOM)
- INSCRIPTION MARKED BY LASER:
DATE CODE(DAY/WEEK/YEAR)
- MATERIAL COMPLIANT TO RoHS DIRECTIVE 2002/95/EC

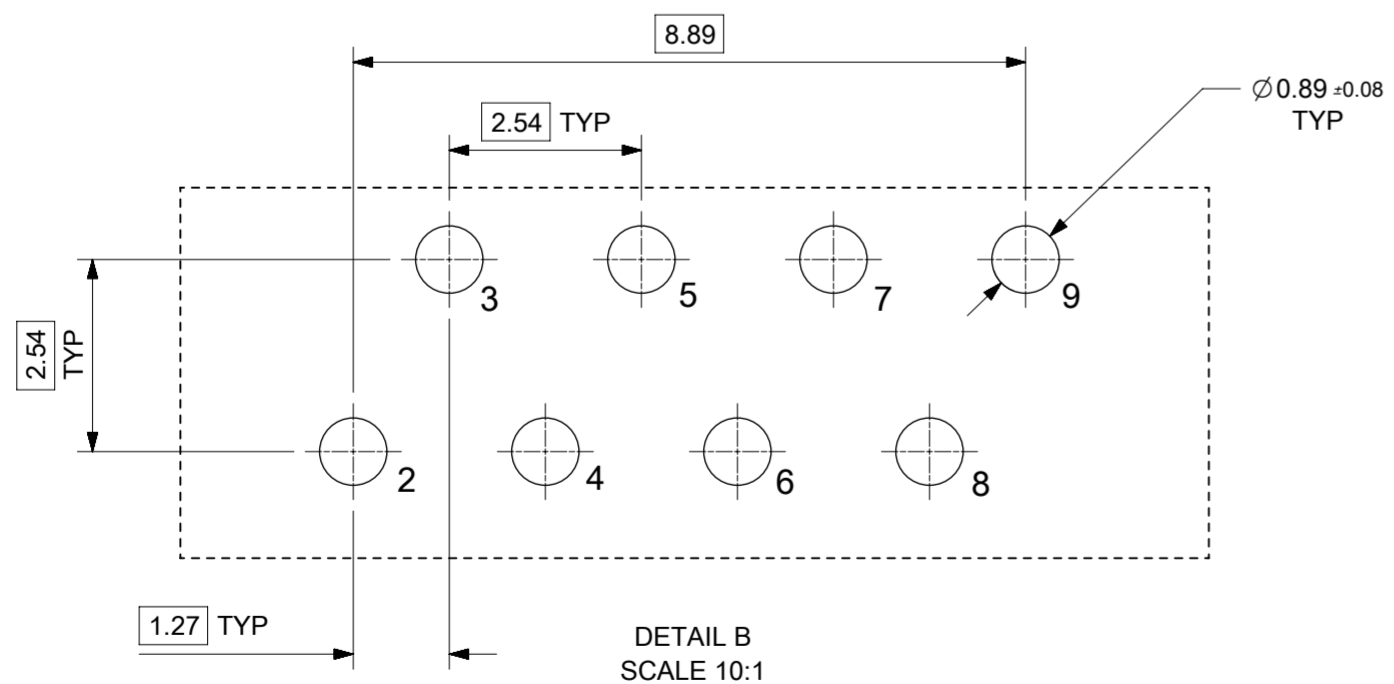


THIS DRAWING CONTAINS INFORMATION THAT IS PROPRIETARY TO MOLEX ELECTRONIC TECHNOLOGIES, LLC AND SHOULD NOT BE USED WITHOUT WRITTEN PERMISSION

EC NO: 117810 DRWN: SBRENNAN CHKD: DBYRNES APPR: STGRIFFIN	UPDATED MAGBOX + 2KV 2017/06/06 2017/06/12 2017/06/12	GENERAL TOLERANCES (UNLESS SPECIFIED) ANGULAR TOL ± 2.0 °	DIMENSION UNITS: MM SCALE: 3:1		
	4 PLACES ± 3 PLACES ± 2 PLACES ± 0.1 1 PLACE ± 0.2 0 PLACES ±	DRWN BY: DBYRNES DATE: 2015/11/20	CHK'D BY: DBYRNES DATE: 2016/09/19		PRODUCT CUSTOMER DRAWING
	DRAFT WHERE APPLICABLE MUST REMAIN WITHIN DIMENSIONS	APPR BY: STGRIFFIN DATE: 2016/09/23	DRAWING SIZE: A2 THIRD ANGLE PROJECTION		SERIES: 93755 MATERIAL NUMBER: SEE TABLE ON SHEET 2 CUSTOMER: GENERAL MARKET
	B1	DOCUMENT NUMBER: 937550002 DOC TYPE: PSD DOC PART: 000 SHEET NUMBER: 1 OF 3			



SUGGESTED BOARD LAYOUT
FAST ETHERNET
VIEW FROM COMPONENT SIDE
ALL DIMS ARE REFERENCE



DETAIL B
SCALE 10:1

PIN CONFIGURATION
FOR FAST ETHERNET

PART NUMBER	LEFT LED	RIGHT LED
937555226	GREEN	YELLOW
937555225	GREEN	GREEN/YELLOW

THIS DRAWING CONTAINS INFORMATION THAT IS PROPRIETARY TO MOLEX ELECTRONIC TECHNOLOGIES, LLC AND SHOULD NOT BE USED WITHOUT WRITTEN PERMISSION																									
UPDATED MAGBOX + 2KV EC NO: 117810 DRWN: SBRENNAN CHKD: DBYRNES APPR: STGRIFFIN	2017/06/06		2017/06/12		2017/06/12		GENERAL TOLERANCES (UNLESS SPECIFIED)		DIMENSION UNITS		SCALE														
	4 PLACES		±		3 PLACES		±		MM		5:1														
	3 PLACES		±		2 PLACES		± 0.1		DRWN BY		DATE														
	2 PLACES		±		1 PLACE		± 0.2		DBYRNES		2015/11/20														
	1 PLACE		±		0 PLACES		±		CHK'D BY		DATE														
	0 PLACES		±		DRAFT WHERE APPLICABLE MUST REMAIN WITHIN DIMENSIONS		A2		STGRIFFIN		2016/09/23														
B1		REV		APPR: STGRIFFIN		DRAWING SIZE		THIRD ANGLE PROJECTION		SERIES		MATERIAL NUMBER		CUSTOMER											
A2		A2		A2		A2		A2		93755		SEE TABLE ON SHEET 2		GENERAL MARKET											
RELEASE STATUS		P1		RELEASE DATE		12.06.2017		14:58:05		DOCUMENT NUMBER		937550002		DOC TYPE		PSD		DOC PART		SHEET NUMBER					
13		12		11		10		9		8		7		6		5		4		3		2		1	

molex

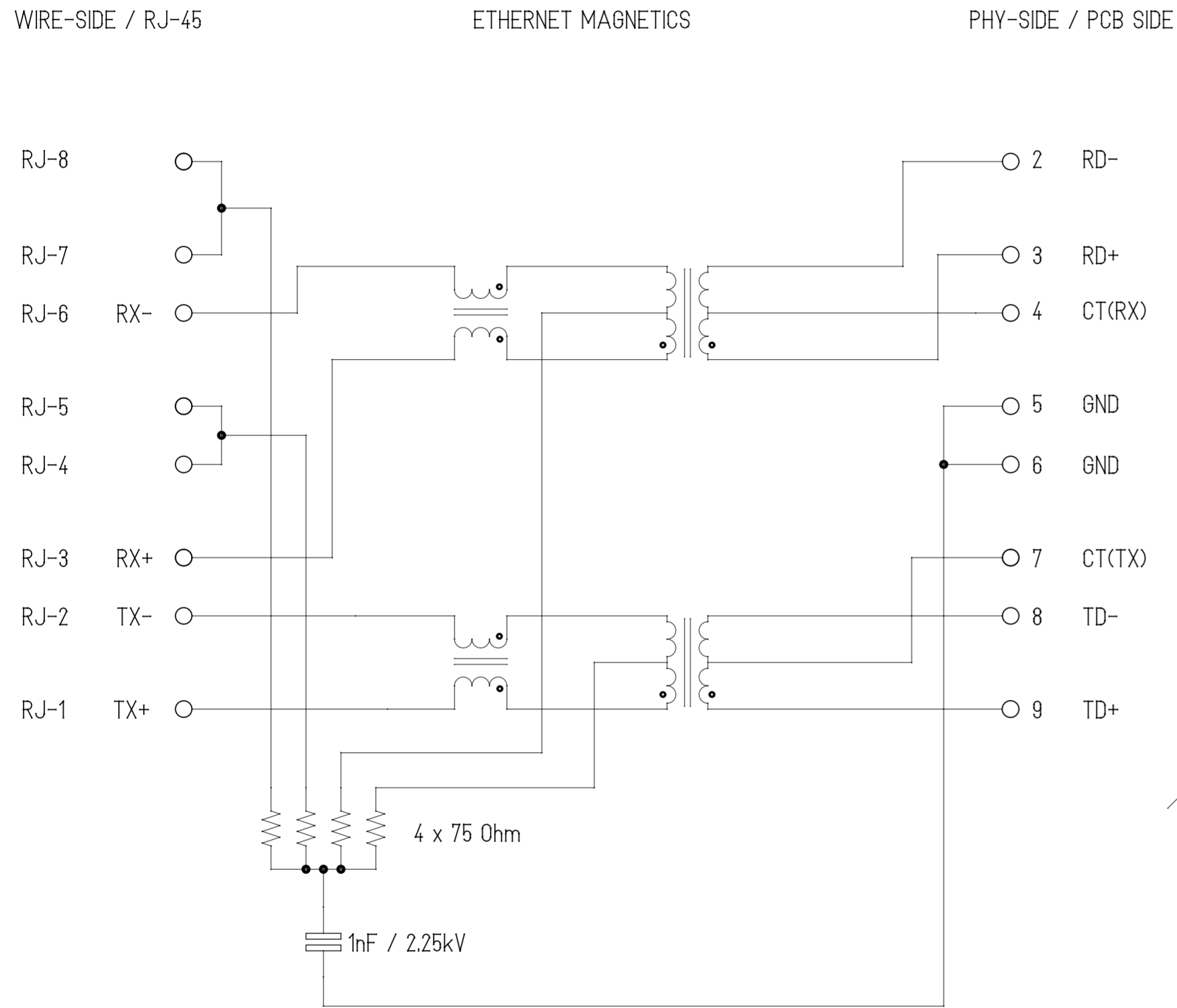
1" MXMAG 4 CORE FE IND

PRODUCT CUSTOMER DRAWING

SERIES 93755 MATERIAL NUMBER SEE TABLE ON SHEET 2 CUSTOMER GENERAL MARKET

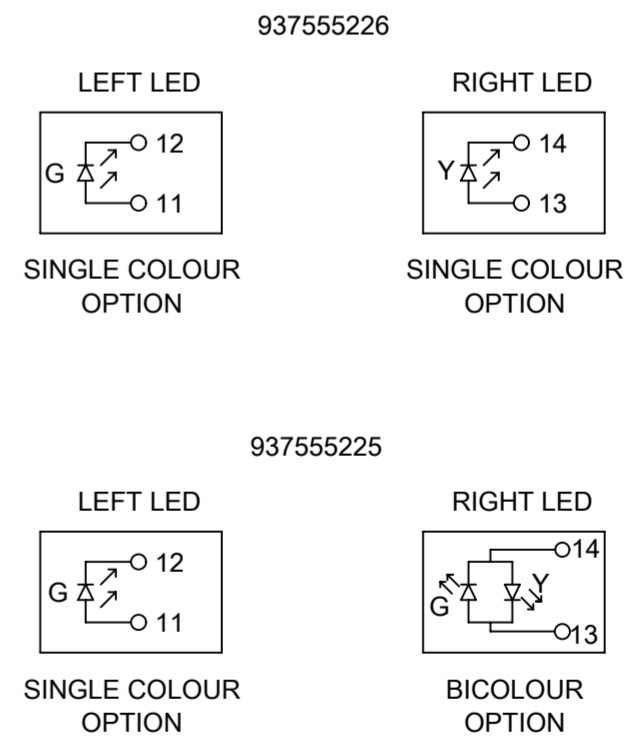
DOCUMENT NUMBER 937550002 DOC TYPE PSD DOC PART 000 SHEET NUMBER 2 OF 3

RJ-45 CONTACTS



Description	Value	
OCL @100 kHz, 0.1 V, 8 mA DC bias (-40°C to +85°C)	350 μH min.	
OCL @100 kHz, 0.1 V, 8 mA DC bias (25°C)		
Turns ratio	1CT:1CT	
Transmission characteristics @ 25°C, all four pairs		
Insertion Loss		
Frequency (MHz)	Limits (dB max.)	Typical Values (dB max.)
1.0-9.9 MHz	0.4+0.1*log(F)	0.5 @ 10 MHz
10-49.9 MHz	0.5+0.3*log(F/10)	0.7 @ 50 MHz
50-79.9 MHz	1+1.4*log(F/80)	1.0 @ 80 MHz
80-100 MHz	1.3+3*log(F/100)	1.3 @ 100 MHz
Return Loss		
Frequency (MHz)	Limits (dB min.)	Typical Values (dB min.)
1.0-39.9 MHz	18	18 @ 40 MHz
40-100 MHz	12-20*log(F/80)	10 @ 100 MHz
CMR		
Frequency (MHz)	Limits (dB min.)	Typical Values (dB min.)
1.0-100 MHz	30	30 @ 100 MHz
Next		
Frequency (MHz)	Limits (dB min.)	Typical Values (dB min.)
1.0-39.9 MHz	35	35 @ 40 MHz
40-100 MHz	33-20*log(F/50)	27 @ 100 MHz
Isolation PHY to wire side	2.25 kVDC / 60 s	

ETHERNET TERMINALS

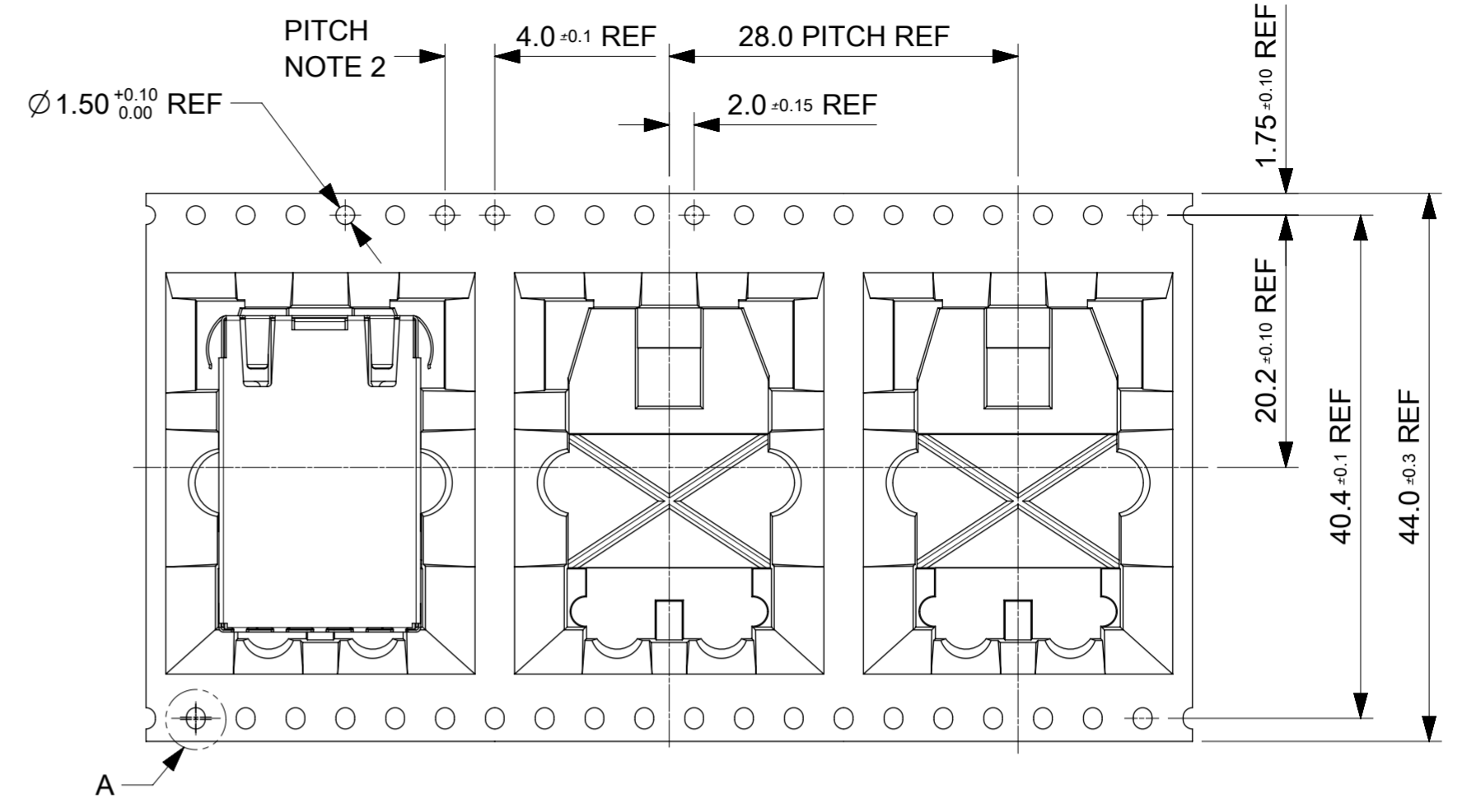
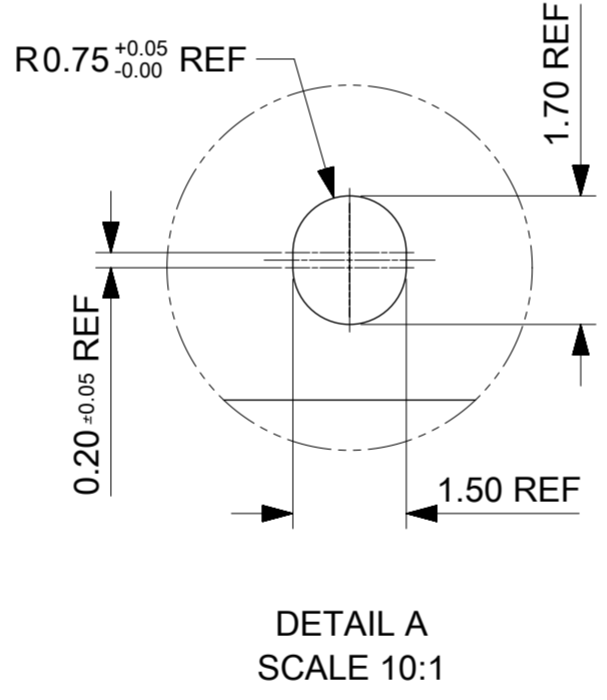
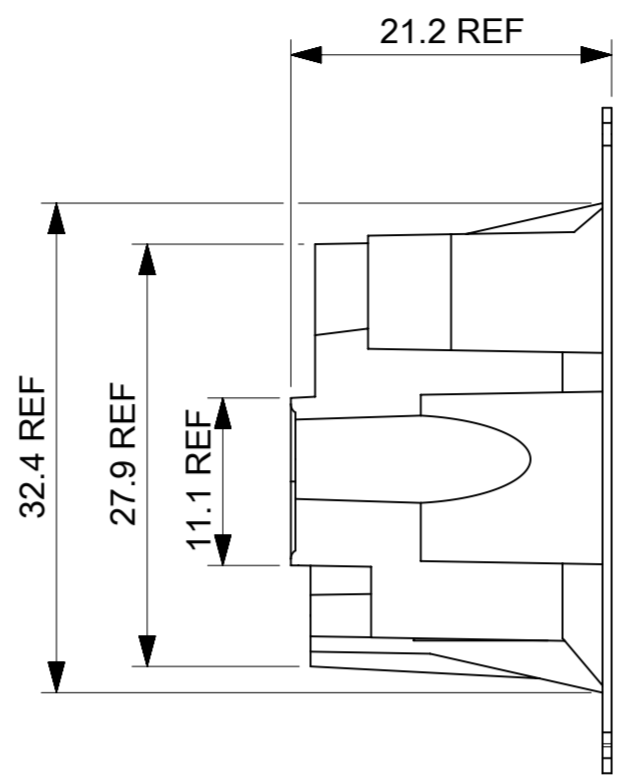
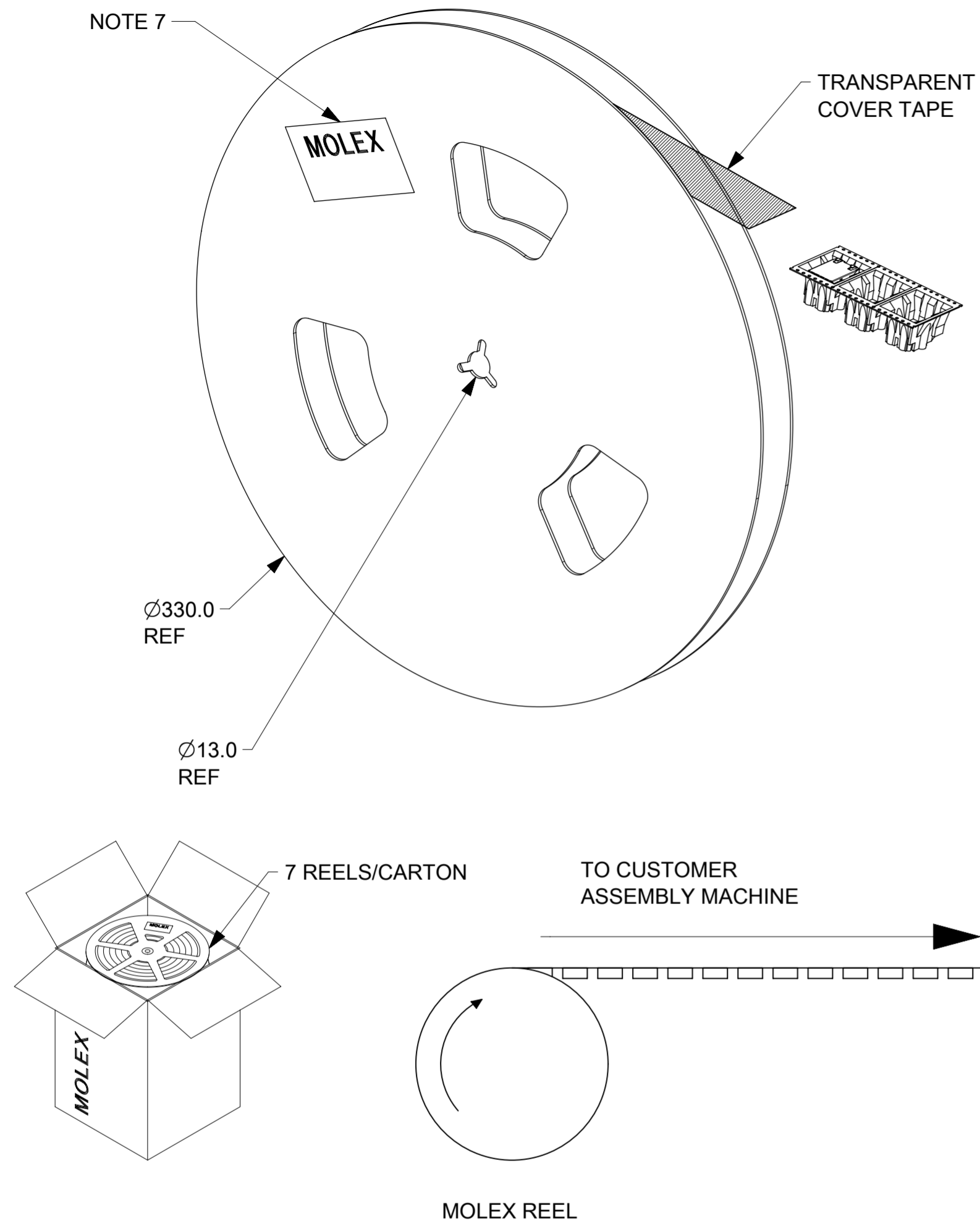


Shield

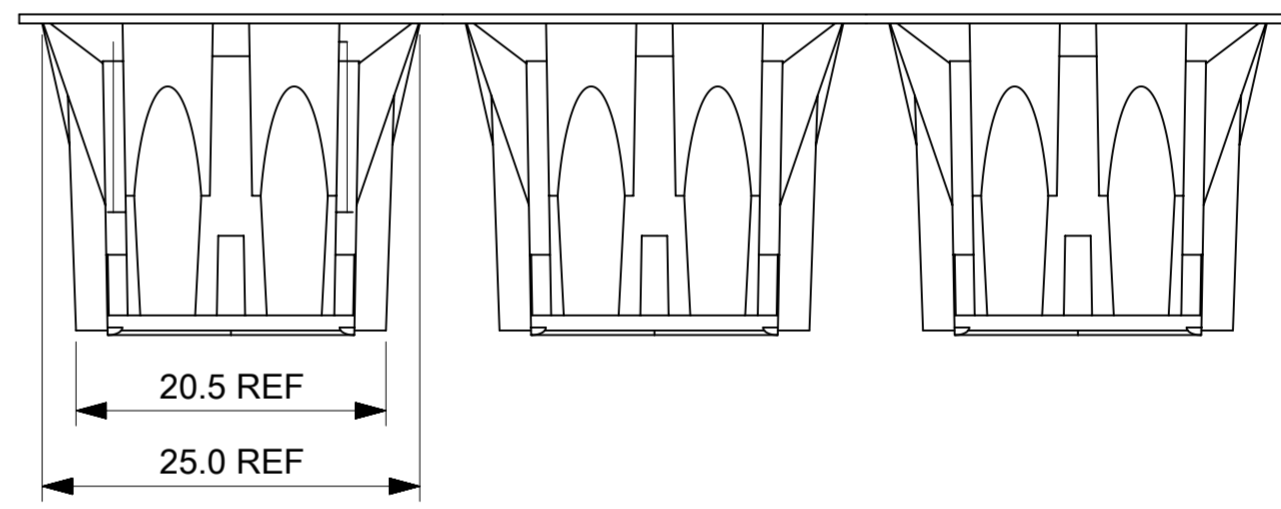
THIS DRAWING CONTAINS INFORMATION THAT IS PROPRIETARY TO MOLEX ELECTRONIC TECHNOLOGIES, LLC AND SHOULD NOT BE USED WITHOUT WRITTEN PERMISSION

EC NO: 117810 DRWN: SBRENNAN CHKD: DBYRNES REV: APPR: STGRIFFIN	2017/06/06	2017/06/12	2017/06/12	GENERAL TOLERANCES (UNLESS SPECIFIED)	DIMENSION UNITS	SCALE	
	4 PLACES ±			ANGULAR TOL ± 2.0 °	MM	1:1	
	3 PLACES ±				DRWN BY	DATE	
	2 PLACES ± 0.1				DBYRNES	2015/11/20	
1 PLACE ± 0.2				CHK'D BY	DATE	1" MXMAG 4 CORE FE IND	
0 PLACES ±				DBYRNES	2016/09/19		
DRAFT WHERE APPLICABLE MUST REMAIN WITHIN DIMENSIONS				APPR BY	DATE		
B1		A2		STGRIFFIN		2016/09/23	PRODUCT CUSTOMER DRAWING
DRAWING SIZE		THIRD ANGLE PROJECTION		SERIES	MATERIAL NUMBER	CUSTOMER	
A2				93755	SEE TABLE ON SHEET 2	GENERAL MARKET	
				DOCUMENT NUMBER	DOC TYPE	DOC PART	SHEET NUMBER
				937550002	PSD	000	3 OF 3

NOTE 7



DIRECTION OF UNREELING



BLISTER TAPE PART NO	PIECES/REEL	PIECES/CARTON	REELS/CARTON
990449058	107	749	7

- NOTES:
- MATERIAL:
CARRIER TAPE: VOLUME CONDUCTIVE POLYSTYRENE, 0.60 mm REF THICK, BLACK.
COVER TAPE: COLD SEAL POLYESTER, 0.06 mm REF THICK TRANSPARENT.
 - PITCH TOLERANCE OVER ANY 10 PITCHES ± 0.2 mm
 - PEEL FORCE OF COVER TAPE IS 0.1 N TO 1.3 N
AT A MAXIMUM SPEED OF 300 mm/min ± 10 mm/min
 - PACKAGING SPECIFICATION: 934620002 PSK.
 - REFERENCE TO IEC 60286-3 EXCEPT WHERE NOTED
 - LABELS SHALL BE PLACED ON THE EACH REEL AND ON THE CARTON
 - THE LABEL ON THE REEL SHALL BE PLACED ON THE OUTSIDE OF THE FLANGE
OPPOSITE THE ROUND SPROCKET HOLES
 - ALL DIMENSIONS ARE REFERENCE ONLY

THIS DRAWING CONTAINS INFORMATION THAT IS PROPRIETARY TO MOLEX ELECTRONIC TECHNOLOGIES, LLC AND SHOULD NOT BE USED WITHOUT WRITTEN PERMISSION

DIMENSION UNITS mm	SCALE 1:2	CURRENT REV DESC: ORIGINAL RELEASE		molex		
GENERAL TOLERANCES (UNLESS SPECIFIED)		EC NO: 624501				
ANGULAR TOL $\pm 2.0^\circ$	4 PLACES \pm	DRWN: DSHEA	2019/09/19	PRODUCT CUSTOMER DRAWING		
3 PLACES \pm	2 PLACES ± 0.1	CHK'D: DBYRNES	2019/09/26	DOCUMENT NUMBER		
1 PLACE ± 0.2	0 PLACES \pm	APPR: DBYRNES	2019/09/26	990449058		
DRAFT WHERE APPLICABLE MUST REMAIN WITHIN DIMENSIONS	THIRD ANGLE PROJECTION	INITIAL REVISION: DRWN: DSHEA APPR: DBYRNES	2019/09/19 2019/09/26	MATERIAL NUMBER 990449058	CUSTOMER GENERAL MARKET	DOC TYPE PSD
		DRAWING A2-SIZE	SERIES 99044	DOC PART K	REVISION A	SHEET NUMBER 1 OF 1

DOCUMENT STATUS	P1	RELEASE DATE	2019/09/26	09:14:35
-----------------	----	--------------	------------	----------