

PART NAME: KNOB SCALE: 1:1 DATE: 10/18/96 DR. BY HD

THIS DRAWING IS THE PROPERTY OF DAVIES MOLDING COMPANY, IS SUBMITTED SOLELY AS A DESIGN OR ENGINEERING PROJECT. WE ACCEPT NO RESPONSIBILITY WHATSOEVER FOR THE PRACTICAL APPLICATION OF THE PIECES MADE TO THIS DESIGN.

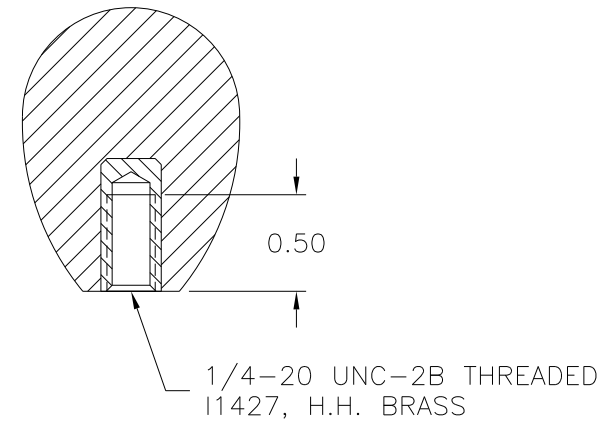
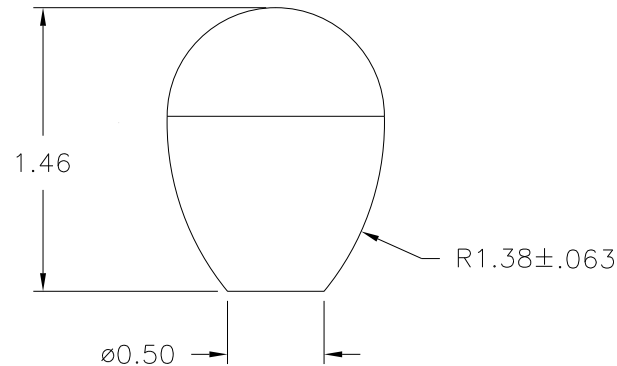
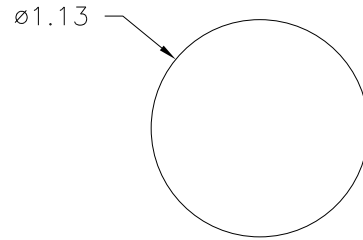


DESIGNERS & MANUFACTURERS OF KNOBS, HANDLES, CASES & CUSTOM PLASTIC COMPONENTS

P/N 0073-B

M^{NO.} 3220

CAVITY	0073
PLUNGER	0073
LEG SHIM	0073
PIN SHIM	0073
PIN	0073-B
INSERT	I1427



NOTE: FRAME #1 REQUIRES A 1/8 TOP LANDING BAR

Ⓐ
MATERIAL: 04311 PHENOLIC (B41)
COLOR: BLACK

TOLERANCES: UNLESS OTHERWISE SPECIFIED	DO NOT SCALE DRAWING			
DECIMALS: X.XXX ± .005 X.XX ± .015	MM: X.XX ± 0.15MM X.X ± 0.4MM	A	WAS #2511 PHENOLIC (B11)	JAM 9/23/08
FRACTIONS ± 1/64	ANG. ± 1°	-	REDRAWN	TL 10/29/99
CHANGES				