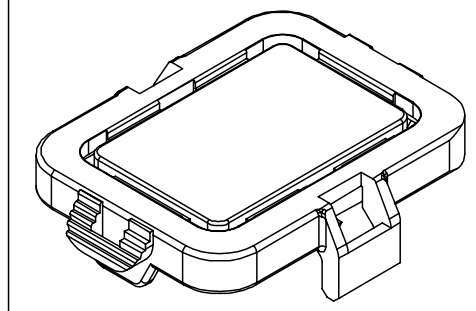
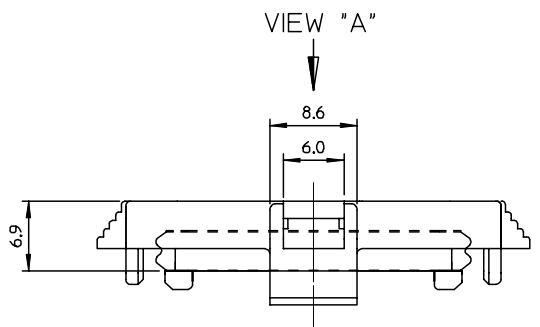
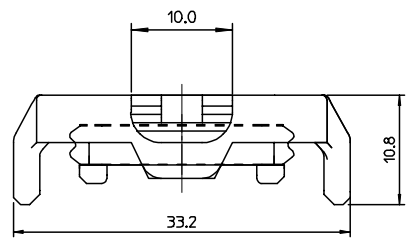
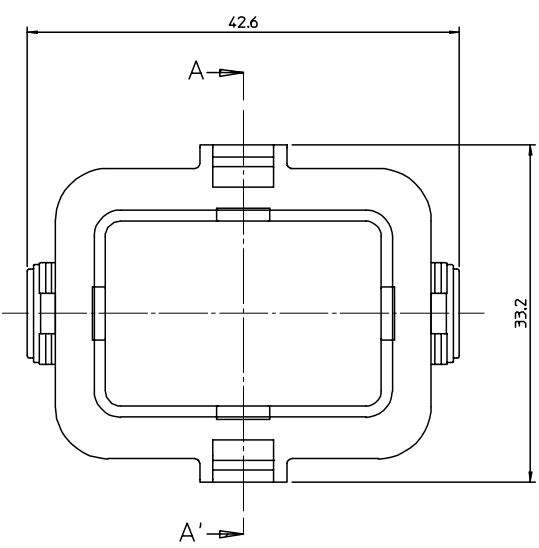


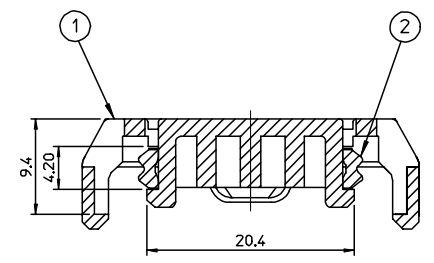
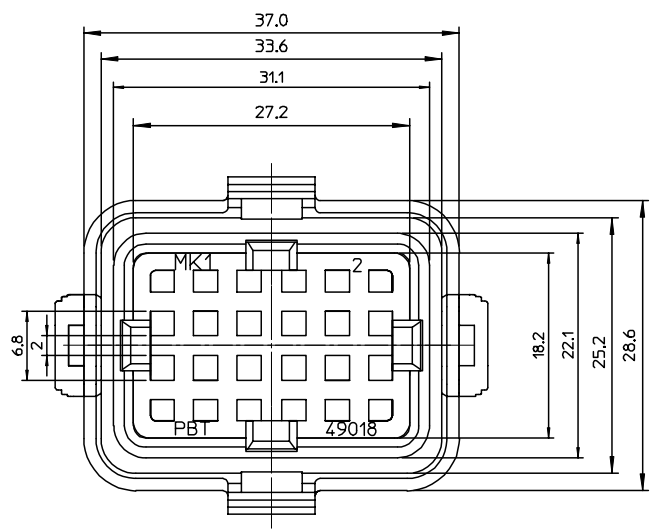
DWG. NO. SD-49018-002
 SIMILAR ITEM
 PROJECT NO.
 DO NOT SCALE DRAWING
 DIMENSION IN METRIC



ISO VIEW



VIEW "A"



Section A-A'

<NOTE>
 1.MATERIAL : POLYESTER(PBT), UL94HB
 COLOR : BLACK
 2. ASS'Y PART NO.(WITH SEAL) : 49018-0121

2	SEAL	35903-0117	SILICONE, BLUE
1	CMC CAP	49018-0191	POLYESTER, BLACK
NO.	DESCRIPTION	ENG. NO.	MATERIAL

490180121	49018-0121			GENERAL TOLERANCES: (UNLESS SPECIFIED)		SCALE 2:1	DESIGN UNITS <input checked="" type="checkbox"/> mm <input type="checkbox"/> INCH	<input checked="" type="checkbox"/> THIRD ANGLE <input type="checkbox"/> FIRST ANGLE PROJECTION	DIMENSIONS: <input type="checkbox"/> mm <input type="checkbox"/> INCH <input checked="" type="checkbox"/> mm ONLY		SHT	REV	
MATERIAL NO.	ENG. NO.	SYMBOLS		4 PLACES ±0.1		DRAWN BY & DATE S.MKIM 03/04/16		TITLE: CMC 112P HEADER 32P CAP ASS'Y(W/P)					
RELEASE	DESCRIPTION	MAJOR		3 PLACES ±0.2		CHECKED BY & DATE H.C.RHO 03/04/16		MOLEX INCORPORATED					
ECN NO. KOR2004-0038	DRWNS.MKIM 03/08/30	CRITICAL		2 PLACES ±0.3		APPROVED BY & DATE C.W.LEE 03/04/16		CAD FILENAME SD49018A.MI		MATERIAL NO. SEE TABLE	DRAWING NO. SD-49018-002	SHEET NO. 10F1	
A	REV			1 PLACE ±0.3		ANGULAR: ± 1 °		THIS DRAWING CONTAINS INFORMATION THAT IS PROPRIETARY TO MOLEX INCORPORATED AND SHOULD NOT BE USED WITHOUT WRITTEN PERMISSION.				SIZE B	