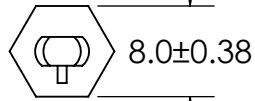
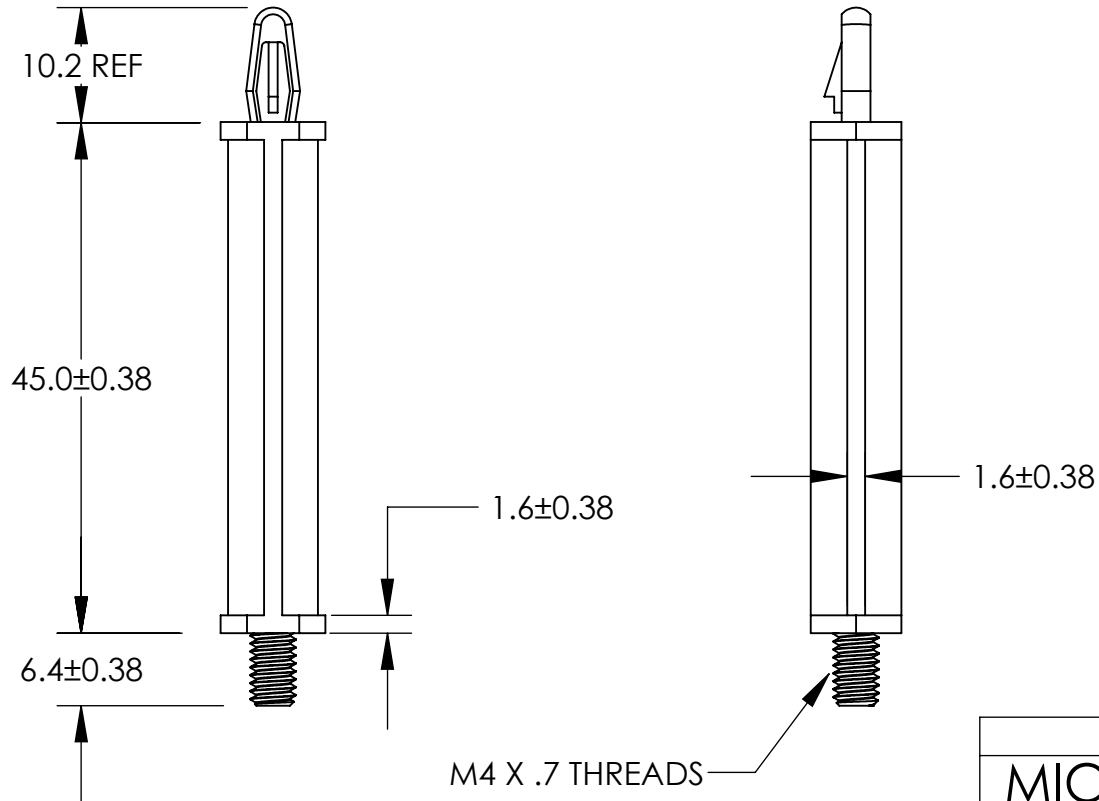


**UNCONTROLLED DOCUMENT**



NOTES:  
HOLE SIZE 4MM  
PANEL THICKNESS 1.8MM



**TOLERANCES UNLESS NOTED**

- ±.005 ON DIMENSIONS THRU .625
- ±.008 ON DIMENSIONS .626 THRU 1.000
- ±.010 ON DIMENSIONS 1.001 THRU 1.500
- ±.015 ON DIMENSIONS LARGER THAN 1.500
- ±.015 ON FRACTIONAL DIMENSIONS

WE RESERVE THE RIGHT  
TO DISCONTINUE ITEMS,  
CHANGE SPECIFICATIONS  
OR DESIGN AT ANY TIME  
WITHOUT NOTICE AND  
WITHOUT INCURRING  
ANY OBLIGATIONS

PROPERTY OF  
**MICRO PLASTICS INC.**

CATALOG DRAWING  
METRIC MALE PCB SUPPORT POST  
MICRO P/N 27MLMTP45  
DWG. # 27MLMTP45  
FILE SERVER\ENG\WEB

MATERIAL: NYLON 6/6

DATE	SCALE 1.5:1	<b>TA</b>
------	----------------	-----------