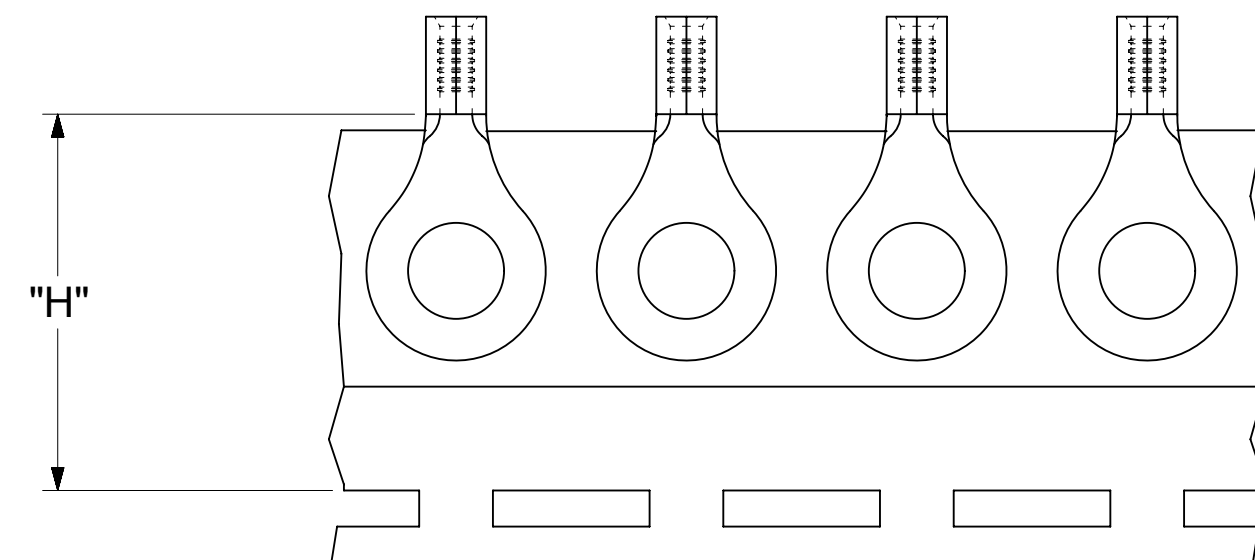
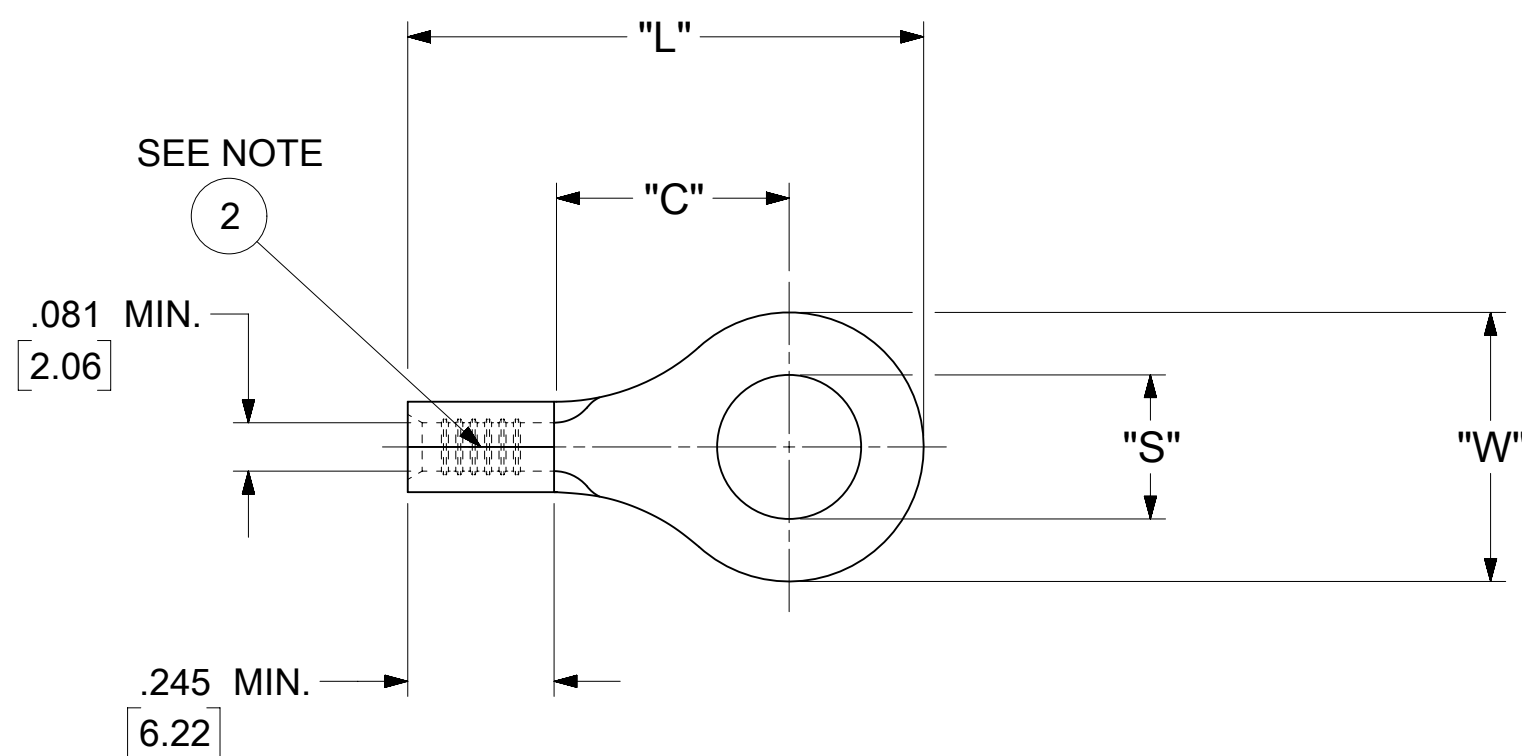


LOOSE PIECE		TAPE MOUNTED		SPECIFICATIONS						
MATERIAL NUMBER	ENGINEERING NUMBER	MATERIAL NUMBER	ENGINEERING NUMBER	STUD SIZE	"S" ±.005 [0.13]	"W" ±.010 [0.25]	"C" MIN.	"L" MAX.	"H"	STOCK ±.001 [0.025] THICKNESS
190560055	B-318-14	---	---	14	.265 [6.73]	.534 [13.56]	.554 [14.07]	1.115 [28.32]	---	.031 [0.79]
190560057	B-318-38	---	---	38	.390 [9.91]					
190560059	B-318-56	---	---	56	.328 [8.33]					
190560063	B-323-04	---	---	4	.119 [3.02]	.250 [6.35]	.209 [5.31]	.639 [16.23]	.980 [24.89]	.031 [0.79]
190560065	B-323-06	190560067	B-323-06T	6	.146 [3.71]					
190560068	B-323-08	---	---	8	.173 [4.39]					
190560070	B-325-10	---	---	10	.198 [5.03]	.467 [11.86]	.388 [9.86]	.916 [23.27]	.980 [24.89]	.031 [0.79]
190560072	B-325-14	190560074	B-325-14T	14	.265 [6.73]					
190560075	B-325-56	---	---	56	.328 [8.33]					
190560102	B-337-04	---	---	4	.119 [3.02]	.312 [7.92]	.285 [7.24]	.730 [18.54]	.980 [24.89]	.031 [0.79]
190560104	B-337-06	---	---	6	.146 [3.71]					
190560106	B-337-08	190560108	B-337-08T	8	.173 [4.39]					
190560109	B-337-10	190560111	B-337-10T	10	.198 [5.03]					
190560114	B-339-06	---	---	6	.146 [3.71]	.342 [8.69]	.310 [7.87]	.775 [19.69]	---	.031 [0.79]
190560116	B-339-08	---	---	8	.173 [4.39]					
190560118	B-339-10	---	---	10	.198 [5.03]					



PARTS ON TAPE

NOTES:

- MATERIAL: COPPER
PLATING: ELECTRO-TIN (.0003 MIN).
- BRAZED SEAM
- WIRE SIZE: 16-14 AWG
1.0-2.5 MM²
- ALL DIMENSIONS IN INCHES/[MM].
- PARTS ARE ROHS COMPLIANT.
- DIMS. SHOWN ARE FOR REFERENCE ONLY.

SYMBOLS	THIS DRAWING CONTAINS INFORMATION THAT IS PROPRIETARY TO MOLEX ELECTRONIC TECHNOLOGIES, LLC AND SHOULD NOT BE USED WITHOUT WRITTEN PERMISSION									
	DIMENSION UNITS		SCALE		CURRENT REV DESC: MIGRATION TO ECTR/NX					
	INCH/MM		NTS		EC NO: 620952 DRWN: ABENJAMINLW 2019/06/13 CHK'D: GROJAS01 2019/07/19 APPR: JMACNEIL 2019/08/05 INITIAL REVISION: DRWN: JJ 1984/11/28 APPR: JMACNEIL 2019/08/05					
	GENERAL TOLERANCES (UNLESS SPECIFIED)									
▽ = 0	4 PLACES	±	---	±	---	PRODUCT CUSTOMER DRAWING DOCUMENT NUMBER: 190560053 DOC TYPE: PSD DOC PART: 000 REVISION: A MATERIAL NUMBER: SEE TABLE CUSTOMER: GENERAL MARKET SHEET NUMBER: 1 OF 1				
▽ = 0	3 PLACES	±	---	±	.005					
▽ = 0	2 PLACES	±	0.13	±	.01					
▽ = 0	1 PLACE	±	0.25	±	---					
▽ = 0	0 PLACES	±	---	±	---					
▽ = 0	ANGULAR TOL	±	0.5 °							
▽ = 0	DRAFT WHERE APPLICABLE MUST REMAIN WITHIN DIMENSIONS		THIRD ANGLE PROJECTION		DRAWING		SERIES			
▽ = 0			C-SIZE		19056					

NOTES:

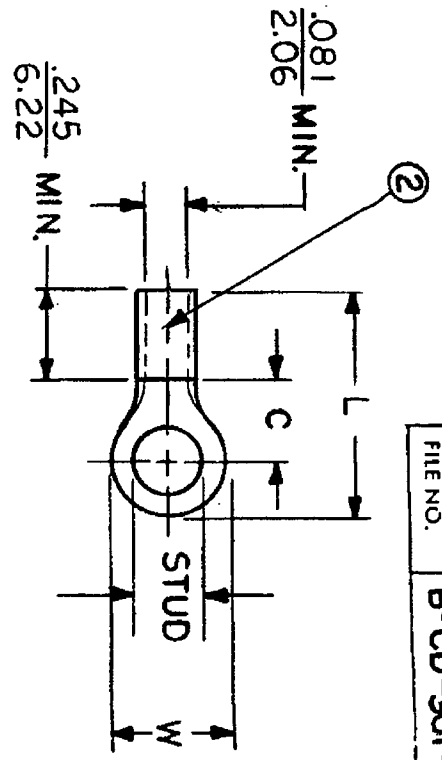
- ① MAT'L: COPPER (STOCK TKN. $\frac{.031}{.79}$)
PLATING: ELECTRO-TIN (.0003 MIN.)
- ② BRAZED SEAM

STUD SIZES: ($\pm .005$)

- 02 = .094
- 04 = .119
- 06 = .146
- 08 = .173
- 10 = .198
- 14 = .265
- 56 = .328
- 38 = .390

"UL" LISTING # E32244
"CSA" LISTING # 18689

ALL DIMENSIONS = INCHES
M



FILE NO. B-CD-301-01

WIRE SIZE: 16-14 AWG
1.0-2.5 MM²

PART NUMBER	"W" ±.010	"C" MIN.	"L" MAX.	AVAILABLE STUD SIZES
B-318-	$\frac{.534}{13.56}$	$\frac{.554}{14.07}$	$\frac{1.115}{28.32}$	10, 14, 56, 38
B-323-	$\frac{.250}{6.35}$	$\frac{.209}{5.31}$	$\frac{.639}{16.23}$	02, 04, 06, 08
B-325-	$\frac{.467}{11.86}$	$\frac{.388}{9.86}$	$\frac{.916}{23.27}$	10, 14, 56
B-337-	$\frac{.312}{7.92}$	$\frac{.285}{7.24}$	$\frac{.730}{18.54}$	04, 06, 08, 10
B-339-	$\frac{.342}{8.69}$	$\frac{.310}{7.87}$	$\frac{.775}{19.69}$	04, 06, 08, 10

DIMENSIONAL TOLERANCES UNLESS OTHERWISE SPECIFIED		REFERENCE	SCALE: NTS	DATE	TITLE:
FRAC.	DEC.	ANG.	DRWN. BY: JJ	11/28/84	RING TONGUE TERMINAL
±	±	±	CHKD. BY: GZ	11/30/84	VERSAKRIMP 300-SERIES
			APPRD. BY:		



DWG. NO. A CUSTOMER DWG.