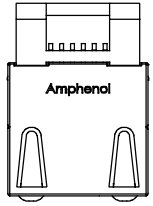
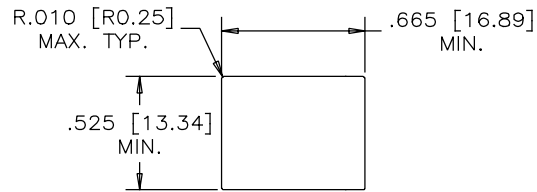


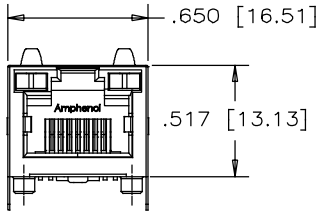
REVISIONS			
REV	DESCRIPTION, ECN, EAR NO.	DATE	APP'D
A	PROPOSAL DRAWING PER EAR# RJ18221	DEC28/18	L.CHAN



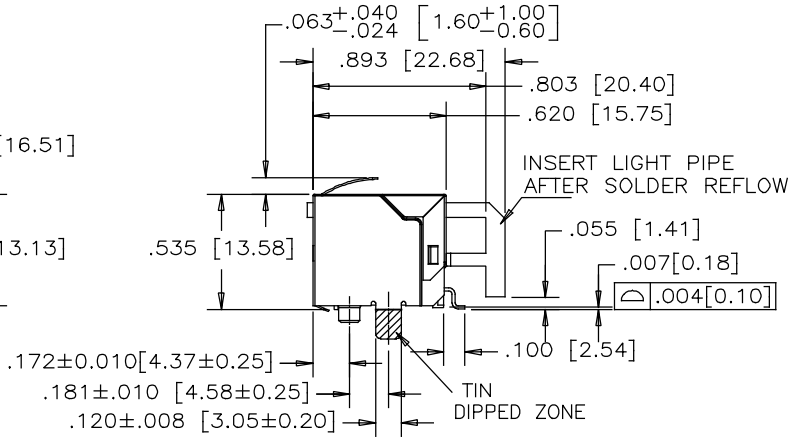
TOP VIEW



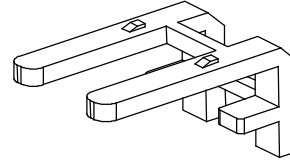
RECOMMENDED PANEL CUTOUT



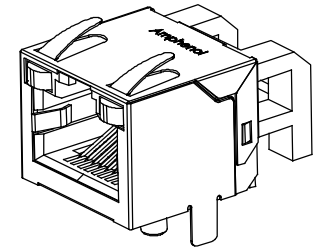
FRONT VIEW



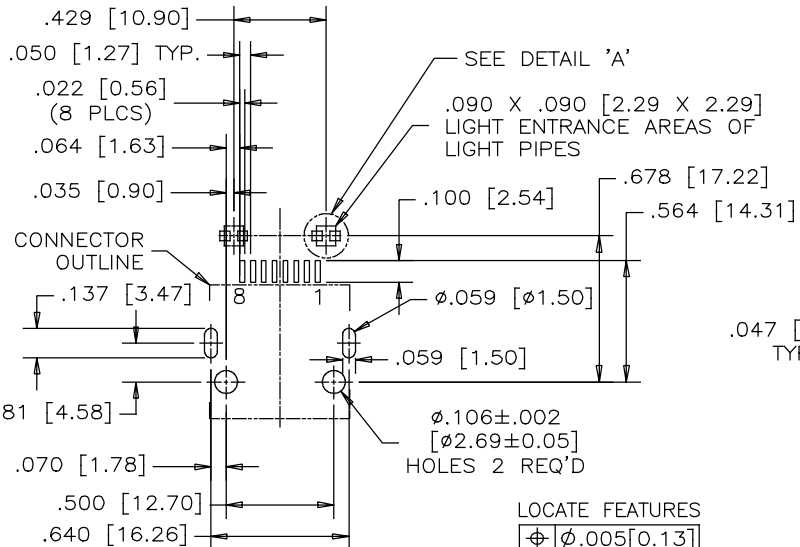
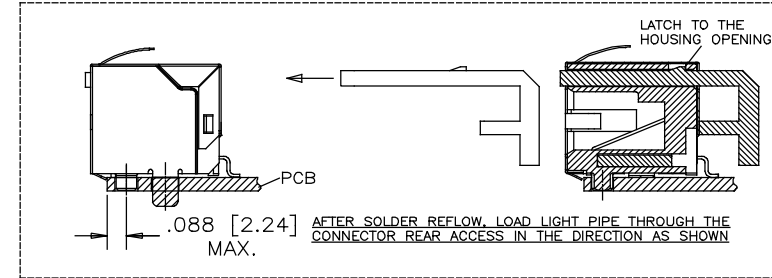
SIDE VIEW



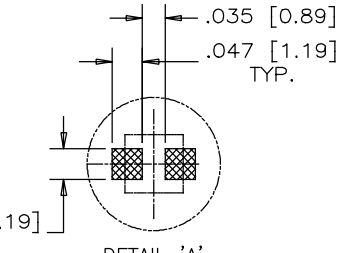
LIGHT PIPE



FINISH CONNECTOR



RECOMMENDED P.C.B. LAYOUT (COMPONENT SIDE OF BOARD)



DETAIL 'A' (ENLARGED)  
SMT LED SOLDER PAD (SMT LED TO BE PROVIDED BY THE CUSTOMER)

MATERIALS:  
PLASTIC HOUSING: HIGH TEMPERATURE ENGINEERING THERMOPLASTIC  
FLAMMABILITY RATING UL 94V-0

CONTACTS: PHOSPHOR BRONZE  
PLATING: 20 μ" [0.51 MICRONS]  
MIN. GOLD ON MATING SURFACES.  
50 μ" [1.27 MICRONS]  
MIN. NICKEL UNDERPLATE.  
100 μ" [2.54 MICRONS]  
MIN. MATTE TIN ON CONTACT TAILS.

SHIELD: COPPER ALLOY  
PLATING: NICKEL

LIGHT PIPE: CLEAR POLYCARBONATE  
FLAMMABILITY RATING UL 94V-0

AMPHENOL PART NUMBER: RJSSE-5S81-01T



UNLESS SPECIFIED OTHERWISE	DRAWN	RONNIE.C	DEC28/18
PRIMARY UNITS INCHES	CHECKED	L.CHAN	DEC28/18
SECONDARY MILLIMETERS	M.E. APP'D		
REFERENCE IN PARENTHESES	Q.A. APP'D		
GENERAL TOLERANCES	DWG APP'D		
1 DECIMAL PLACE	ENG. REL. NO.		
2 DECIMAL PLACES	REF. EAR# RJ18221		
3 DECIMAL PLACES ±.015	THIRD ANGLE PROJECTION		
ANGULAR DEGREES ±1°	DO NOT SCALE DRAWING		

Amphenol Canada Corp. Commercial Products	
SURFACE MOUNT, RJ45, SINGLE PORT, 8 POSITION, 8 CONTACTS, SHIELD WITH TOP TAB, WITH LIGHT PIPES, T&R PACKAGING - RoHS COMPLIANT	
DWG NO. P-RJSSE-5S81-01T	REV A
CODE ID NO. 03554	DWG SIZE X SCALE N/A SHEET 1 OF 2

REVISIONS			
REV	DESCRIPTION, ECN, EAR NO.	DATE	APP'D
A	PROPOSAL DRAWING PER EAR# RJ18221	DEC28/18	L.CHAN

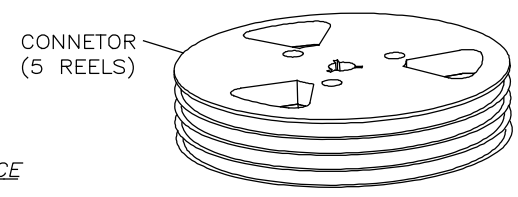
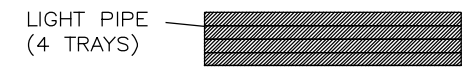
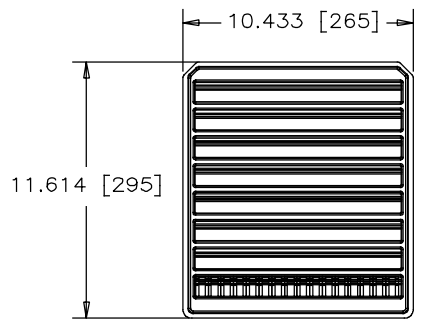
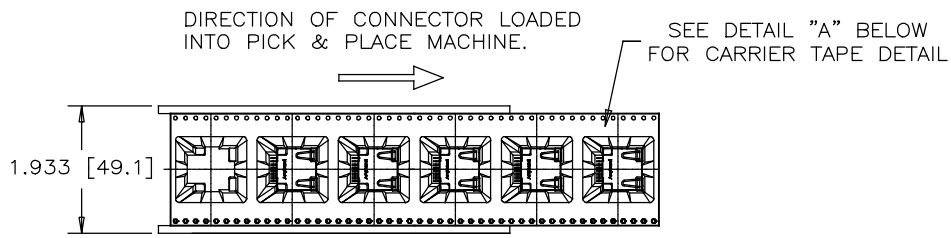


FIGURE 2  
LIGHT PIPE TRAY PACKAGING REFERENCE

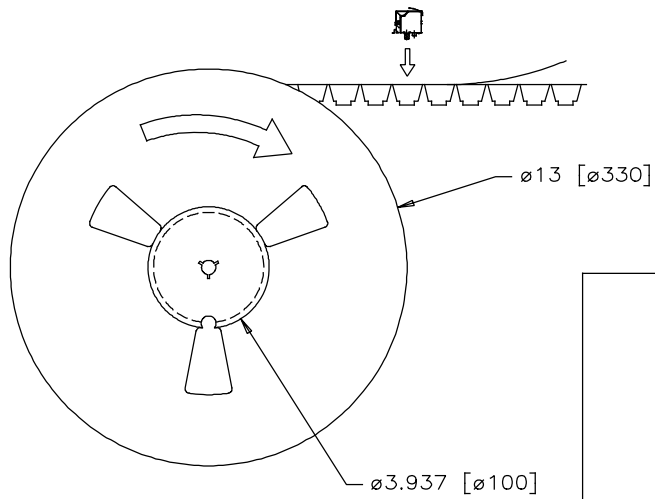
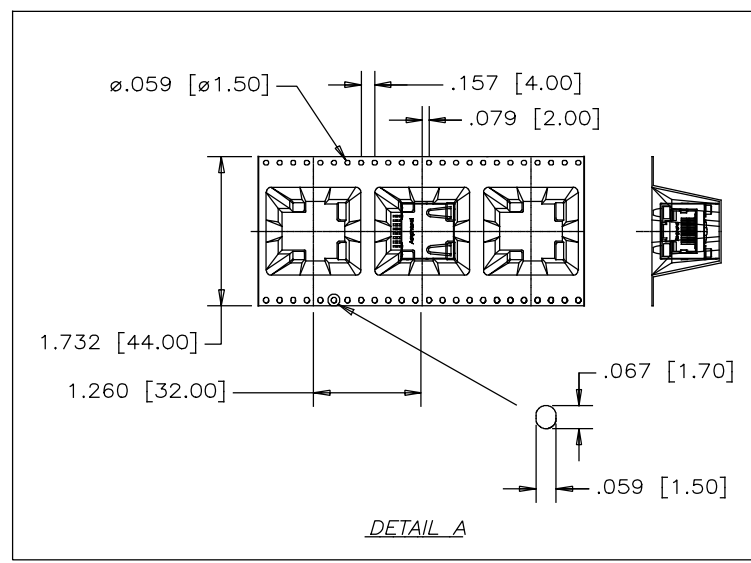


FIGURE 1  
CONNECTOR CARRIER TAPE & COVER REEL PACKAGING REFERENCE



DETAIL A

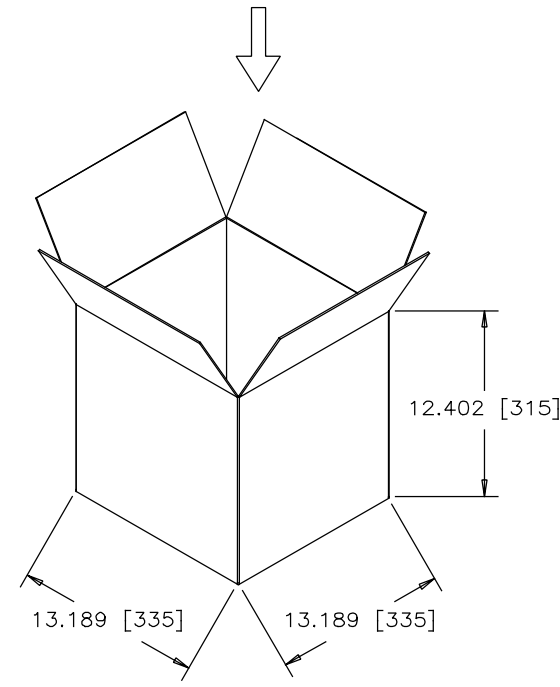


FIGURE 3  
CARTON PACKAGING REFERENCE

PACKAGING NOTES:

- ONE REEL SHOULD HOLD 90 CONNECTORS,
- THE FULLY TRAY SHOULD HOLD 128 LIGHT PIPES,
- A FULLY LOADED CARTON SHOULD CONTAIN 5 REELS(450 PCS) OF CONNECTOR AND 4 TRAYS(450 PCS) OF LIGHT PIPE.



UNLESS SPECIFIED OTHERWISE	DRAWN	RONNIE.C	DEC28/18
PRIMARY UNITS INCHES	CHECKED	L.CHAN	DEC28/18
SECONDARY MILLIMETERS	M.E. APP'D		
REFERENCE IN PARENTHESES	Q.A. APP'D		
GENERAL TOLERANCES	DWG APP'D		
1 DECIMAL PLACE	ENG. REL. NO.		
2 DECIMAL PLACES	REF.	EAR# RJ18221	
3 DECIMAL PLACES ±.015	THIRD ANGLE PROJECTION		
ANGULAR DEGREES ±1°	DO NOT SCALE DRAWING		

Amphenol Canada Corp. Commercial Products	
SURFACE MOUNT, RJ45, SINGLE PORT, 8 POSITION, 8 CONTACTS, SHIELD WITH TOP TAB, WITH LIGHT PIPES, T&R PACKAGING - RoHS COMPLIANT	
DWG NO.	P-RJSSE-5S81-01T
REV	A
CODE ID NO. 03554	DWG SIZE X SCALE N/A SHEET 2 OF 2