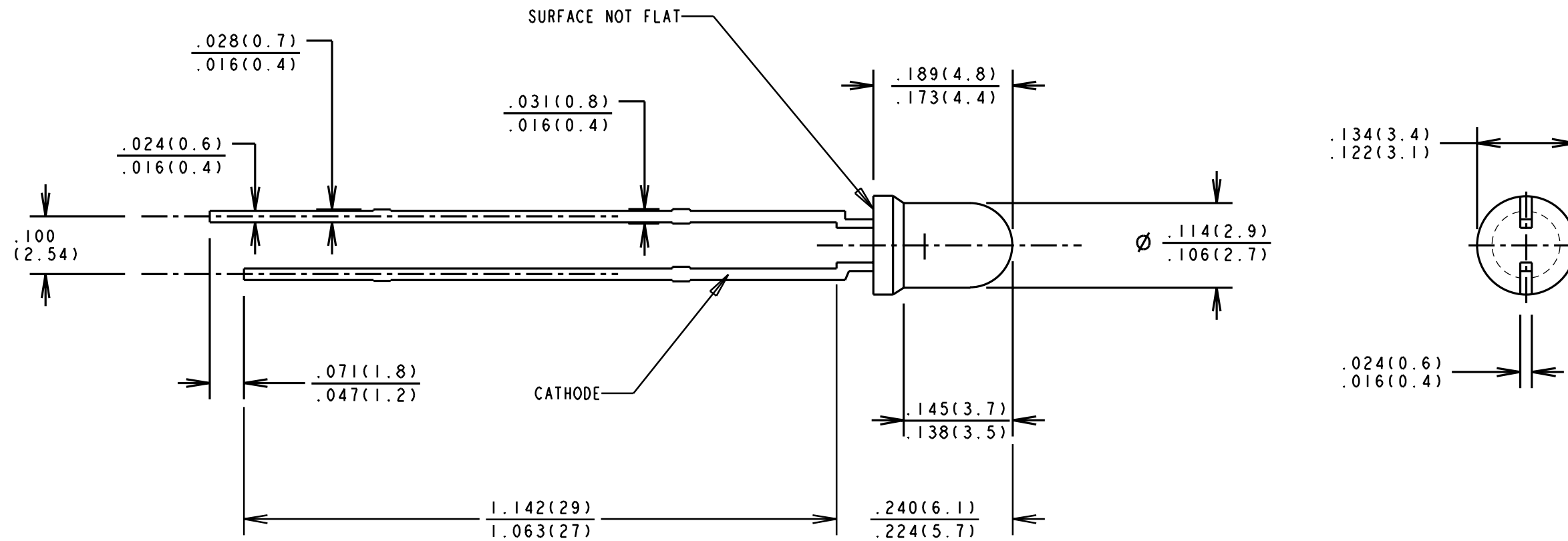


ABSOLUTE MAXIMUM RATING AT 25°C AMBIENT	UNITS	
POWER DISSIPATION	mW	100
DERATE LINEARLY FROM 55°C	mA/°C	0.44
CONTINUOUS FORWARD CURRENT	mA	20
REVERSE VOLTAGE	V	5
LEAD SOLDERING TEMPERATURE, 5 SEC., 1/16" FROM BODY	°C	260
OPERATING TEMPERATURE	°C	-40 TP 100
STORAGE TEMPERATURE	°C	-40 TO 100

REV.	ECN NO.	REVISIONS	DRN.	CKD.	APP.	DATE
A	—	NEW RELEASE	TC	DC	N.O.	8-19-99
B	—	ADDED "BLUE" ON NOTE 2 AND ON TITLE.	TC			



DIMENSIONS IN INCHES(mm)

OPERATING CHARACTERISTICS AT 25°C AMBIENT					
CHARACTERISTICS	MIN	TYP	MAX	UNITS	TEST CONDITIONS
LUMINOUS INTENSITY	6.3		20	mcd	$I_f = 10$ mA
FORWARD VOLTAGE		3.5	4.2	V	$I_f = 10$ mA
PEAK WAVELENGTH		428		nm	
VIEWING ANGLE		70		Degree	

NOTES:

- EPOXY COLOR: WHITE DIFFUSED
- DIE: GaN (BLUE)
- SOLDER ADHERENCE: BOTH LEADS PER MIL. STD. 202E, METHOD 208C.
- ATTENTION: OBSERVE PRECAUTIONS FOR HANDLING ELECTROSTATIC SENSITIVE DEVICES.
- DIALIGHT PART NUMBER: 521-9831

THIS DRAWING AND THE CONTENTS HEREIN ARE CONFIDENTIAL AND THE SOLE PROPERTY OF DIALIGHT. REPRODUCTION OF THIS DRAWING OR CONSTRUCTION OF ANY PARTS WITHIN THIS DRAWING ARE FORBIDDEN WITHOUT THE WRITTEN CONSENT OF DIALIGHT.		
SCALE 6:1	DRAWING NUMBER	REV
ALL DIM'S IN: INCHES	C-16579	B
TOLERANCES: UNLESS OTHERWISE SPECIFIED	TITLE	
FRACTIONS: ±1/64	3 mm BLUE LED	
DECIMALS (.XX): ±.01	MATERIAL	
DECIMALS (.XXX): ±.003	Dialight	
ANGLES: ±1°	1913 ATLANTIC AVE.	
FINISH:	MANASQUAN, N.J. 08736	
FSCM 83330	SHEET OF	FAMILY TABLE: