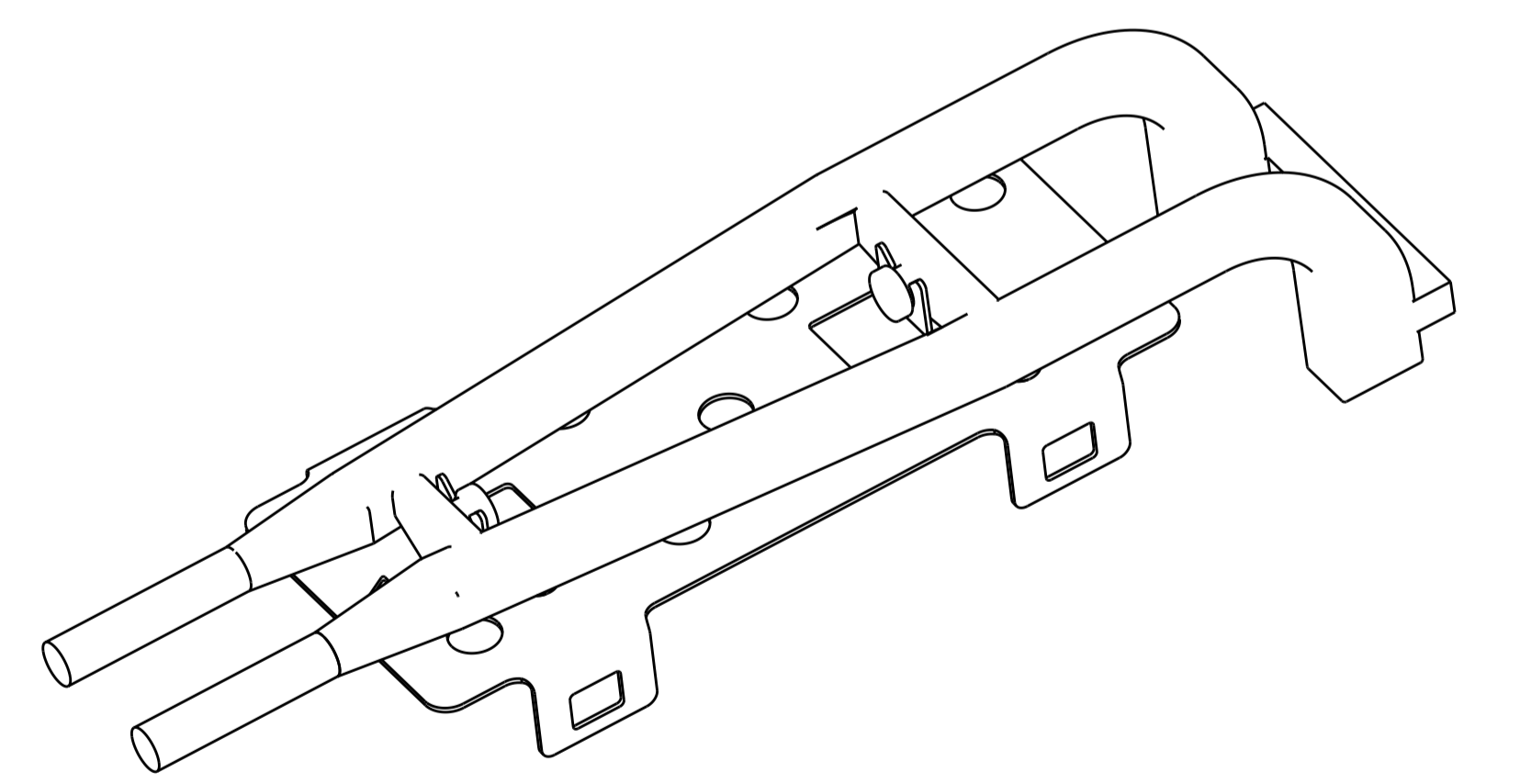
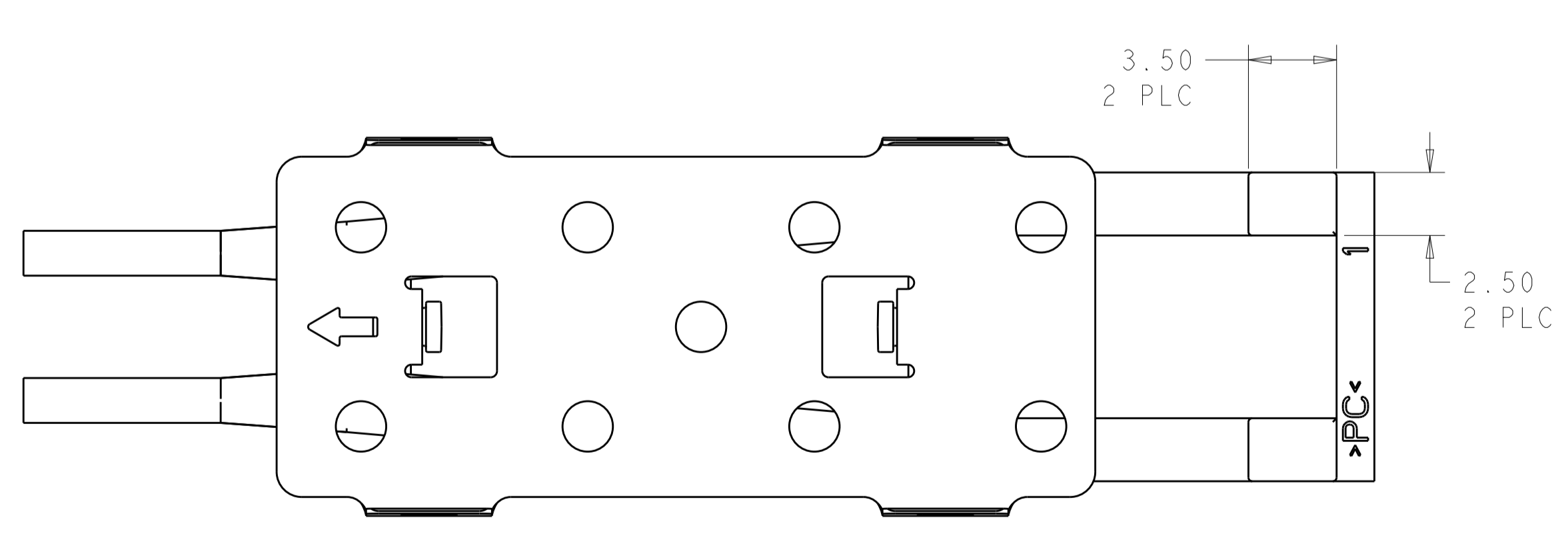
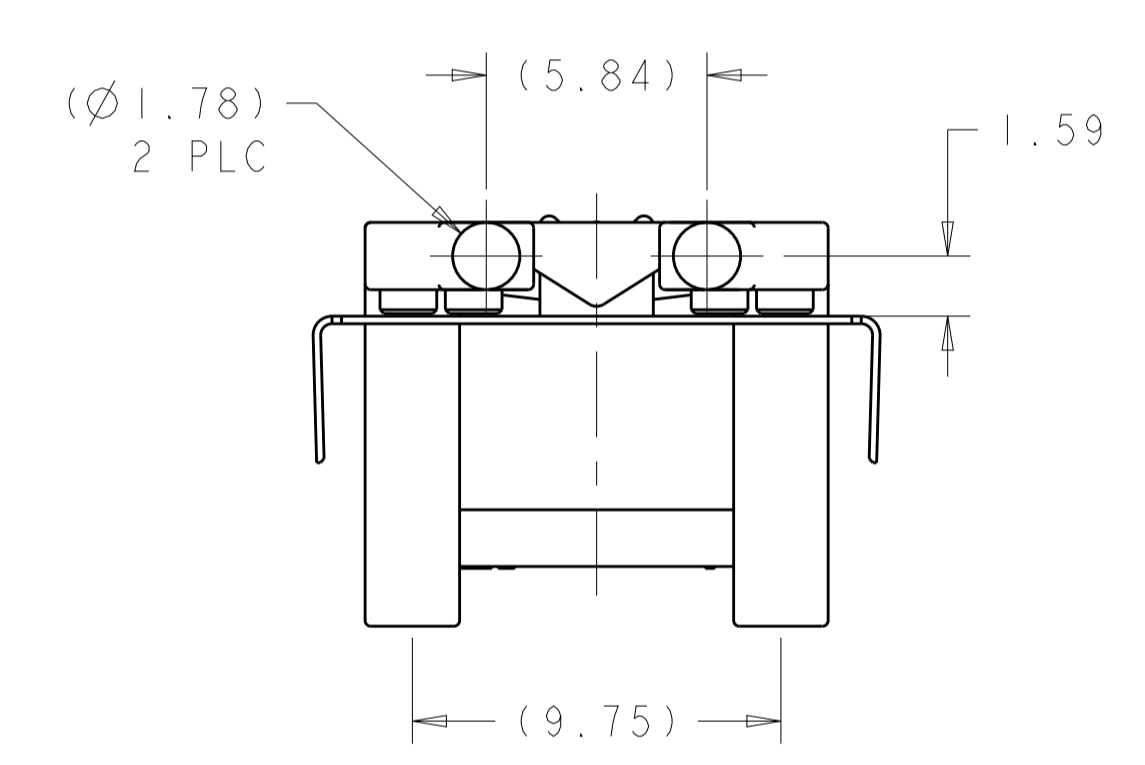
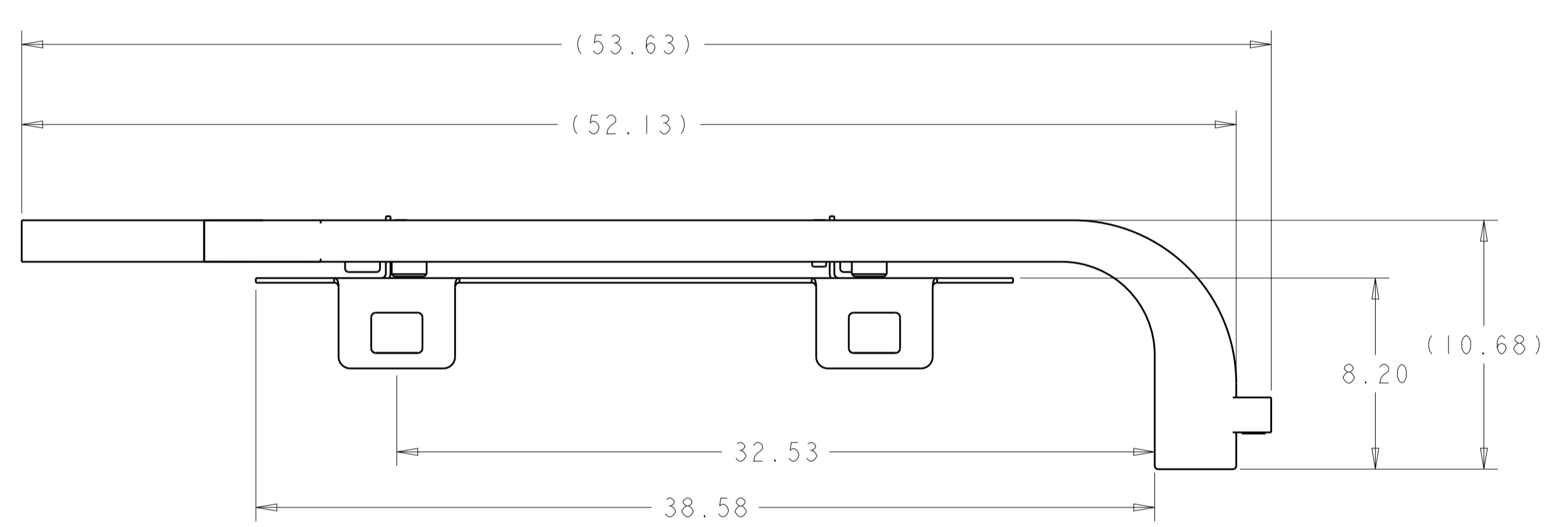
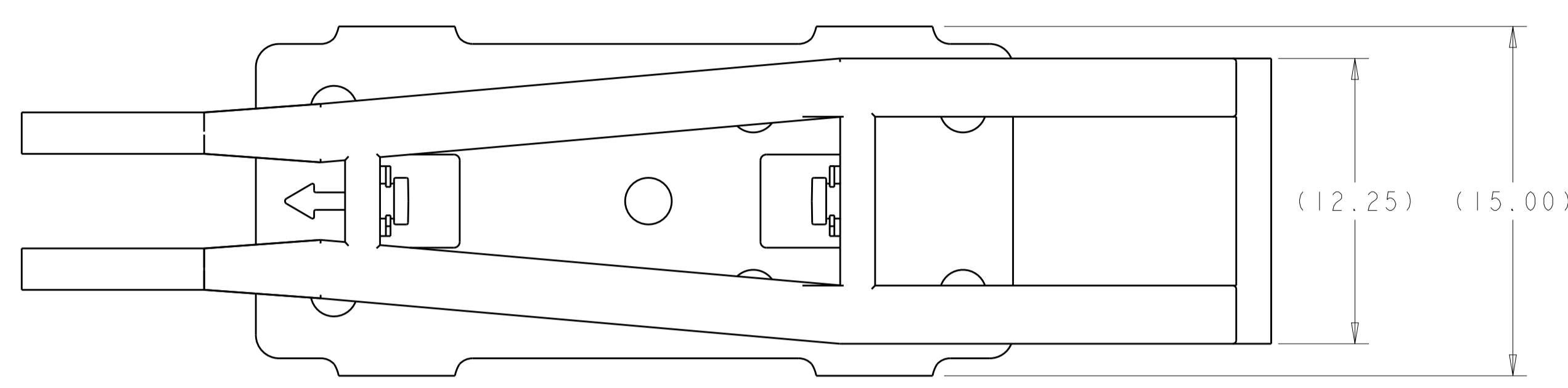


LOC	DIST	REVISIONS					
		P.	LTN	DESCRIPTION	DATE	DWN	APVD
ES	00	A		RELEASED	26FEB2016	JW	SH



1. MATERIAL:  
 LIGHTPIPE: POLYCARBONATE, CLEAR  
 LIGHTPIPE BRACKET: STAINLESS STEEL.

2170194-1  
 PART NUMBER

THIS DRAWING IS A CONTROLLED DOCUMENT.		DWN: JASON YANG 18NOV2011	TE Connectivity	
DIMENSIONS:		CHK: ALEX CAI 18NOV2011	NAME: HEATSINK SFP DWDM LIGHT PIPE ASSEMBLY FOR IXI SFP	
TOLERANCES UNLESS OTHERWISE SPECIFIED:		APVD: ALEX CAI 18NOV2011	PRODUCT SPEC	
mm		PRODUCT SPEC	APPLICATION SPEC	
Ø		SIZE: A100779	CAGE CODE: C=2170194	
HOLE		WEIGHT: -	RESTRICTED TO: -	
FINISH: -		CUSTOMER DRAWING	SCALE: 2:1 SHEET 1 OF 1 REV A	