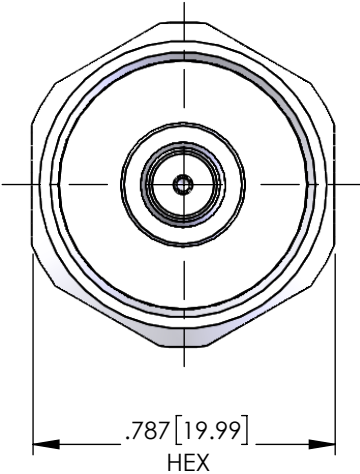
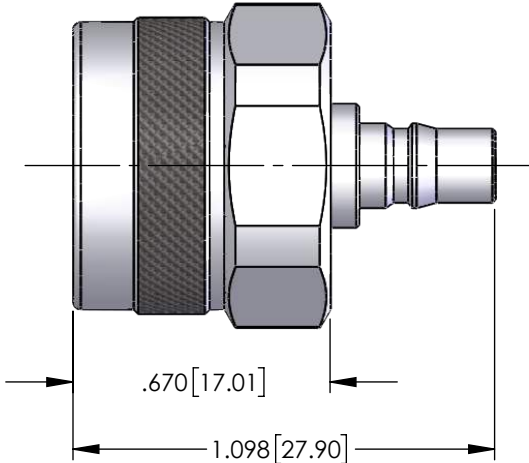
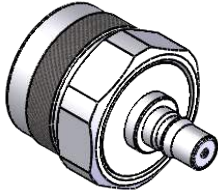


# RQA-5478

REV	DESCRIPTION	DATE	APPR
A	CHANGED CONTACT PIN - ECO/ECN# 1002	12/04/17	JDM



**SPECIFICATIONS:**

IMPEDANCE: 50 Ohms  
 FREQUENCY RANGE: 0-6 GHz  
 3RD ORDER IM: ≤155dBc @ 1900 MHz  
 VSWR: 1.25 MAX.  
 INSULATION RESISTANCE: 5k M Ohms min.  
 TEMPERATURE RANGE: -65°C TO 165°C  
 MATING CYCLES: > 100

6	N SHELL	1	012-10M-006-BT	Brass	WHITE BRONZE
5	N GASKET	1	028-10M-004-LR	Rubber	N/A
4	N RETAINING RING	1	027-10M-005-PT	PHOS. BRONZE	WHITE BRONZE
3	INSULATOR	1	010-54X-001-TX	PTFE	NONE
2	QMA-SMA PIN	1	009-50X-001-CS	BeCu	SILVER
1	QMA-SMA BODY	1	001-50X-001-BW	Brass	WHITE BRONZE
#	DESCRIPTION	QTY	PART NUMBER	MATERIAL	FINISH

<b>ROHS</b> COMPLIANT	NAME	DATE	<b>RF INDUSTRIES</b> 7610 MIRAMAR RD. SAN DIEGO, CA. 92126 858-549-6340 FAX 858-549-6345	
	DRAWN	C. ZUNIGA		12/04/17
	CHECKED			
UNLESS OTHERWISE SPECIFIED:	ENG APPR.		<b>PROPRIETARY AND CONFIDENTIAL</b>  THE INFORMATION CONTAINED IN THIS DRAWING IS THE SOLE PROPERTY OF RF INDUSTRIES. ANY REPRODUCTION IN PART OR AS A WHOLE WITHOUT THE WRITTEN PERMISSION OF RF INDUSTRIES IS STRICTLY PROHIBITED.	
DIMENSIONS ARE IN INCHES		TITLE: QMA JACK TO N PLUG ADAPTER		
ALL DIMENSIOS ARE FOR REFERENCE ONLY		SIZE DWG. NO. REV		
CABLE GROUP N/A		A RQA-5478 A		
CODE		SCALE: NTS NOTES: SHEET 1 OF 1		