

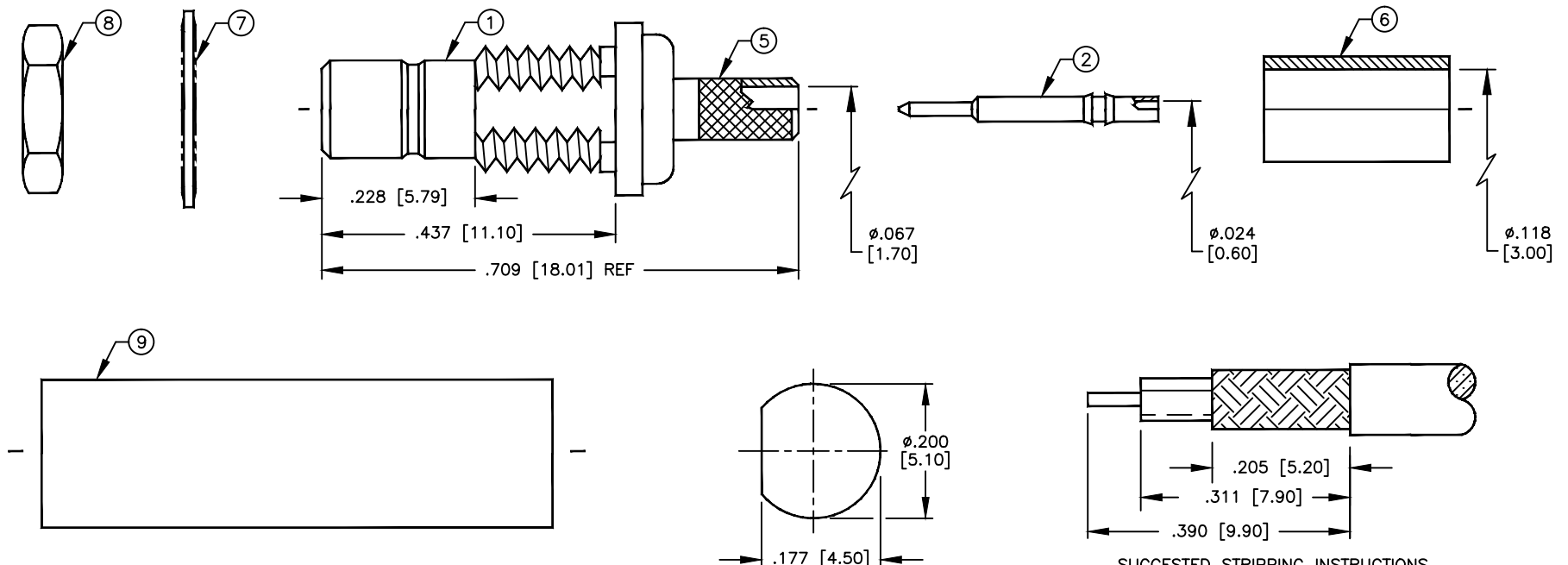
# SPECIFICATION CONTROL DRAWING

THIS DRAWING CONTAINS INFORMATION PROPRIETARY TO RF INDUSTRIES, LTD. ANY UNAUTHORIZED USE OF THIS DRAWING IS EXPRESSLY PROHIBITED. ANY VIOLATION IS PUNISHABLE UNDER U.S. COPYRIGHT LAWS.

REV	DESCRIPTION	DWN	DATE	APPROVED
A	ENGINEERING RELEASE	KMM	2/6/96	R. RICE
B	ENGINEERING RELEASE	CZS	11/20/97	R. RICE

ALL DIMENSIONS ARE REFERENCE ONLY

008974



SUGGESTED STRIPPING INSTRUCTIONS

SUGGESTED CRIMP DIE: .130

PIN TO BE SOLDERED

IMPEDANCE: 50 OHMS  
 WORKING VOLTAGE: 400 VRMS @ SEA LEVEL  
 FREQUENCY RANGE: 0-4 GHz  
 INSERTION LOSS: ≤ .3dB MAX @ 1.5 GHz  
 VSWR MAX: 1.3:1 @ 4 GHz  
 FOR RG-174, 188, 188A, 316/U, ALPHA 9174, 9316,  
 BELDEN 8216, 83269, 83284, 84316 & TIMES LMR-100 CABLE

DIMENSIONS ARE IN INCHES AND [MILLIMETERS]

UNLESS OTHERWISE NOTED TOLERANCES ARE:

DECIMALS      DIAMETER

DRAWN C. ZUNIGA 11/20/97

CHECKED

ORJ DRAWN K. MAXWELL 2/6/96

APPROVALS      DATE

**RFconnectors**  
 DIVISION OF RF INDUSTRIES, LTD.

7610 MIRAMAR RD  
 SAN DIEGO, CA 92126  
 (619)549-6340  
 (619)549-6345 FAX

RSB-4252-B

SMB CRIMP JACK BULKHEAD

ITEM	DESCRIPTION	QTY	MATERIAL	FINISH
9	TUBING	1	HEAT SHRINK	BLACK
8	HEX NUT	1	BRASS	NICKEL
7	LOCK WASHER	1	BRASS	NICKEL
6	FERRULE	1	COPPER	NICKEL
5	FERRULE STUD	1	BRASS	NICKEL
4	DIELECTRIC	1	PTFE	NONE
3	DIELECTRIC	1	PTFE	NONE
2	PIN	1	BRASS	GOLD
1	BODY	1	BRASS	NICKEL

SIZE	CABLE GROUP	DWG NO.	REV
A	B	8602	B
SCALE: 4:1		CAD FILE 13ARC B	SHEET 1 OF 1