

VERTICAL RECEPTACLE HOLE PATTERN (CONNECTOR SIDE)

NOTES:

1. MATERIALS: HOUSING - LIQUID CRYSTAL POLYMER (LCP)  
GLASS-FILLED, UL94V-0  
TERMINALS - HIGH PERFORMANCE COPPER ALLOY
2. FINISH: 30 μINCH MIN GOLD IN CONTACT AREA.  
SELECTIVE MATTE TIN ON PCB TAILS. NICKEL OVERALL.
3. REFER TO MOLEX PRODUCT SPECIFICATION PS-76060-999 FOR PERFORMANCE SPECIFICATIONS AND ADDITIONAL PCB INFORMATION.
4. EACH SIGNAL WAFER CONTAINS 2 COLUMNS OF TERMINALS.
5. SEE CHART FOR PACKAGING SPECIFICATIONS.
6. THIS PART CONFORMS TO CLASS B REQUIREMENTS OF COSMETIC SPEC PS-45499-002.
7. REFER TO MOLEX SALES DRAWING SD-170335-0002 FOR THE MATING HEADERS
8. REFER TO MOLEX ROUTING PCB ROUTING GUIDE AS-76060-990 FOR ANTIPAD AND ROUTING RECOMMENDATIONS.
9. GROUND PATHS ARE NOT DISCRETE WITHIN CONNECTOR DUE TO PRESENCE OF PLUS CLIP.
10. PART NUMBER 170390-3130 SHOWN ON DRAWING. KEYING FEATURES WILL CHANGE WITH COLUMN SIZE.
11. FOR SCREW PART NUMBER AND FUNCTIONAL BOARD THICKNESS REFER TO CHART ON SHEET 2. IN ORDER TO ACCOMMODATE ALTERNATE BOARD THICKNESSES PLEASE CONTACT MOLEX.
12. MARKING: LOCATED APPROXIMATELY AS SHOWN. PART NUMBER AND DATE CODE.

THIS DRAWING CONTAINS INFORMATION THAT IS PROPRIETARY TO MOLEX ELECTRONIC TECHNOLOGIES, LLC AND SHOULD NOT BE USED WITHOUT WRITTEN PERMISSION

DIMENSION UNITS	SCALE	CURRENT REV	DESC: ADD PN1703903*03
MM	NTS		
GENERAL TOLERANCES (UNLESS SPECIFIED)			
ANGULAR TOL	± 0.5°	EC NO:	620149
4 PLACES	±	DRWN:	SKRISHNAMURT 2019/06/04
3 PLACES	±	CHK'D:	SHONG 2019/08/16
2 PLACES	± 0.13	APPR:	SHONG 2019/08/16
1 PLACE	± 0.25	INITIAL REVISION:	
0 PLACES	±	DRWN:	JJONIAK 2011/01/20
		APPR:	JLAURX 2013/04/05
DRAFT WHERE APPLICABLE MUST REMAIN WITHIN DIMENSIONS	THIRD ANGLE PROJECTION	DRAWING	SERIES
		C-SIZE	170390
DOCUMENT STATUS		DOCUMENT NUMBER	DOC TYPE   DOC PART   REVISION
P1	RELEASE DATE 2019/08/16 08:02:37	SD-170390-0002	PSD 001 B4
MATERIAL NUMBER		CUSTOMER	SHEET NUMBER
SEE CHART		GENERAL MARKET	1 OF 2

**molex**

IMPACT 4-PAIR 85-OHM  
LEFT GUIDE MEZZANINE SALES DRAWING

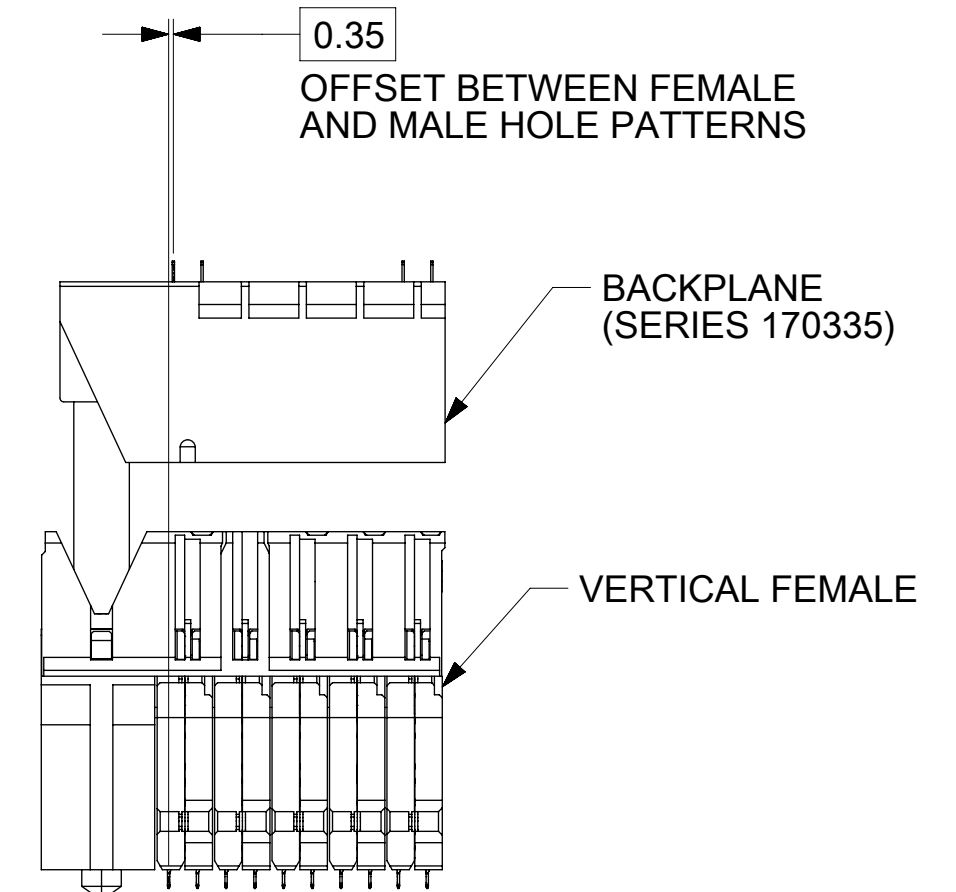
PRODUCT CUSTOMER DRAWING

# PART NUMBER CHART

MATERIAL NUMBER	# OF COLUMNS	# OF DIFF PAIRS	DIM "A" MAX	DIM "B"	DIM "C"	DIM "D"	PACKAGING SPEC	SCREW P/N	FUNCTIONAL BOARD THICKNESS	18mm STACK HEIGHT (DIM H)
170390-3*03	6	24	19.0	9.5	15.36	19.41	PK-70873-4001	73726-0005	2.0mm TO 3.0mm	
170390-3*08	8	32	22.8	13.3						
170390-3*00	10	40	26.6	17.1						
170390-3*02	12	48	30.4	20.9						
170390-3*07	14	56	34.2	24.7						
170390-3*06	16	64	38.0	28.5						
170390-3*09	18	72	41.8	32.3						

MATERIAL NUMBER	# OF COLUMNS	# OF DIFF PAIRS	DIM "A" MAX	DIM "B"	DIM "C"	DIM "D"	PACKAGING SPEC	SCREW P/N	FUNCTIONAL BOARD THICKNESS	25mm STACK HEIGHT (DIM H)
170390-3*28	8	32	22.8	13.3	22.36	19.41	PK-70873-4002	73726-0000	1.0mm TO 5.0mm	
170390-3*20	10	40	26.6	17.1						
170390-3*22	12	48	30.4	20.9						
170390-3*27	14	56	34.2	24.7						
170390-3*26	16	64	38.0	28.5						
170390-3*29	18	72	41.8	32.3						

MATERIAL NUMBER	# OF COLUMNS	# OF DIFF PAIRS	DIM "A" MAX	DIM "B"	DIM "C"	DIM "D"	PACKAGING SPEC	SCREW P/N	FUNCTIONAL BOARD THICKNESS	37mm STACK HEIGHT (DIM H)
170390-3*38	8	32	22.8	13.3	34.36	20.65	PK-70873-0044	73726-0000	1.0mm TO 5.0mm	
170390-3*30	10	40	26.6	17.1						
170390-3*32	12	48	30.4	20.9						
170390-3*37	14	56	34.2	24.7						
170390-3*36	16	64	38.0	28.5						
170390-3*39	18	72	41.8	32.3						



## PART NUMBER LOGIC

170390-\*\*\*\*

MODULE AND TAIL PLATING TYPE  
3 = GUIDE LEFT, MATTE TIN

KEY ORIENTATION  
0 = NO KEY  
1 = A    5 = E  
2 = B    6 = F  
3 = C    7 = G  
4 = D    8 = H

# OF COLUMNS  
3 = 6 COL  
8 = 8 COL  
0 = 10 COL  
2 = 12 COL  
7 = 14 COL  
6 = 16 COL  
9 = 18 COL

STACK HEIGHT (H)  
0 = 18mm  
2 = 25mm  
3 = 37mm

THIS DRAWING CONTAINS INFORMATION THAT IS PROPRIETARY TO MOLEX ELECTRONIC TECHNOLOGIES, LLC AND SHOULD NOT BE USED WITHOUT WRITTEN PERMISSION											
DIMENSION UNITS		SCALE		CURRENT REV DESC: ADD PN1703903*03							
MM		NTS									
GENERAL TOLERANCES (UNLESS SPECIFIED)											
ANGULAR TOL		± 0.5°		EC NO: 620149 DRWN: SKRISHNAMURT    2019/06/04 CHK'D: SHONG    2019/08/16 APPR: SHONG    2019/08/16							
4 PLACES		±		INITIAL REVISION: DRWN: JJONIAK    2011/01/20 APPR: JLAURX    2013/04/05							
3 PLACES		±									
2 PLACES		± 0.13		PRODUCT CUSTOMER DRAWING DOCUMENT NUMBER: SD-170390-0002    DOC TYPE: PSD    DOC PART: 001    REVISION: B4							
1 PLACE		± 0.25									
0 PLACES		±		DRAFT WHERE APPLICABLE MUST REMAIN WITHIN DIMENSIONS							
THIRD ANGLE PROJECTION				DRAWING		SERIES		MATERIAL NUMBER		CUSTOMER	
				C-SIZE		170390		SEE CHART		GENERAL MARKET	
										SHEET NUMBER	
										2 OF 2	