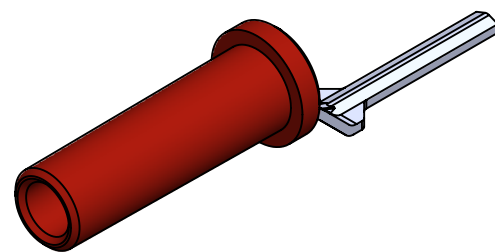
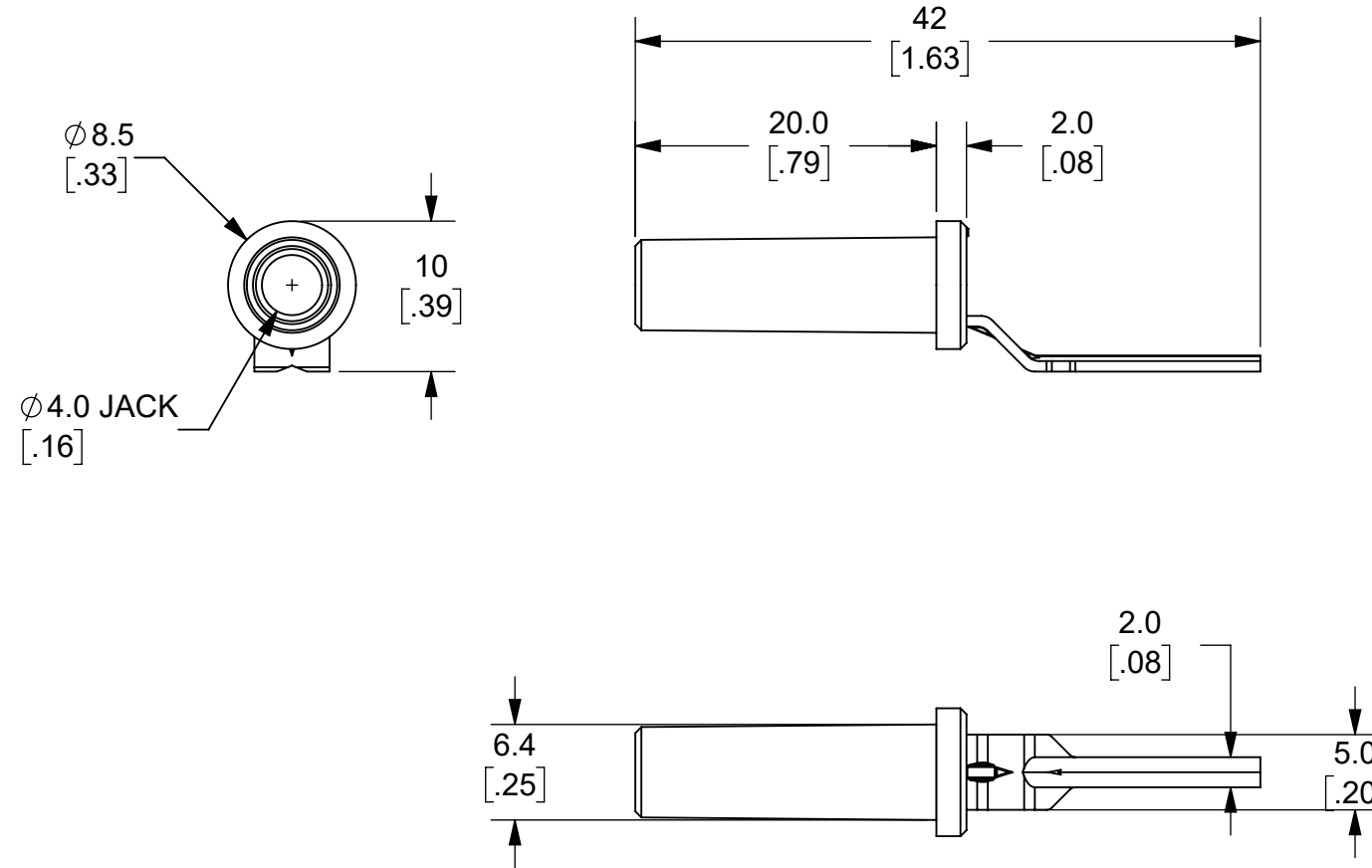


THIS IS ISSUED IN STRICT CONFIDENCE THAT IT IS NOT USED AS A BASIS FOR MANUFACTURE OR SALE AND THAT IT IS NOT COPIED, REPRINTED OR DISCLOSED TO A THIRD PARTY EITHER WHOLLY OR IN PART WITHOUT THE PRIOR WRITTEN CONSENT OF CAL TEST ELECTRONICS, INC.

REVISIONS			
REV.	DESCRIPTION	DATE	APPROVED

NOTES:

1. MATERIAL:
INSULATOR: PP-704
JACK: BRASS, Ni PLATED
2. RATING:
CURRENT: 30 A MAX.
RESISTANCE: $\leq 5 \text{ m}\Omega$
3. RoHS 2 COMPLIANT



ISOMETRIC VIEW

CT4425-2	RED	-
CT4425-0	BLACK	-
PART NUMBER	CONFIGURATION	NOTES / REFERENCE

PART NUMBER TABLE

THIRD ANGLE PROJECTION	UNLESS OTHERWISE SPECIFIED DIMENSIONS ARE IN MILLIMETERS TOLERANCES ARE: X.X = ±0.5 X.X* = ±0.5* X.XX = ±0.25 X.XXX = ±0.125 DO NOT SCALE DRAWING	PROJECT NO.	22820 Savi Ranch Prky. Yorba Linda, CA 92887 USA	
		APPROVALS	DATE	TITLE
REFERENCE	MATERIAL SEE NOTES	DRAWN GSG	10/11/2021	TERMINAL BLOCK ADAPTER
	TREATMENT N/A	CHECKER B. HANSEN	10/11/2021	
	FINISH SEE NOTES	ENGR. B. HANSEN	6/1/2021	SIZE B
		DESIGN ACTIVITY		CAGE CODE 43F45
				DWG. NO. CT4425
				REV. A
				SCALE 2:1
				SHEET 1 OF 1