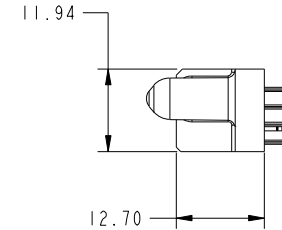
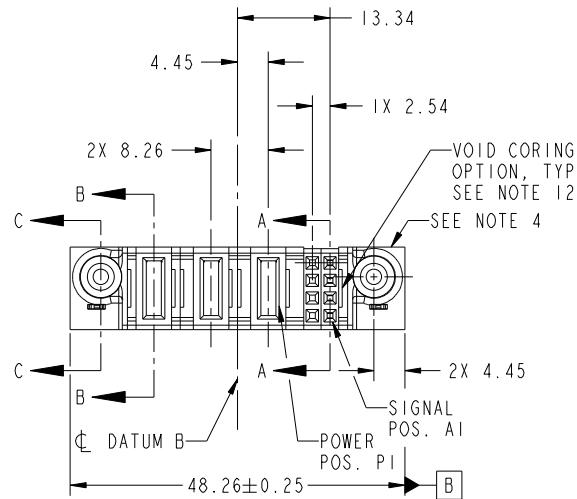


Tous droits strictement reserves. Reproduction ou communication a des tiers interdite sous quelque forme que ce soit sans autorisation écrite du propriétaire. Propriete de c FCI. Droits de reproduction FCI.



All rights strictly reserved. Reproduction or issue to third parties in any form whatever is not permitted without written authority from the proprietor. Property of FCI. Copyright FCI.

PRODUCT NO.	ROWS	POWER SIGNAL					
		E2	P3	P2	P1	2 1	E1
51940-367-- NOTE: 3	D C B A						



CODE	DIM "M" MATING LENGTH	CONTACT TYPE
E	[N/A]	SIGNAL
PD	[2.34]	POWER
HA	[N/A]	HOLD-DOWN
PA	[1.07]	POWER
X	OMITTED	OMITTED

mat'l code				SEE NOTES		tolerances unless otherwise specified		CUSTOMER		 www.fciconnect.com	
ltr	ecn no.	dr	date	linear	0.X ± 0.5	projection		COPY		title	
A	DG10-0324	JW	09/07/10	angles	0.XX ± 0.25			MIM		8S + 3ACP VERTICAL SOLDER RECEPT	
				dr	0.XXX ± 0.1			product family		PwrBlade	code
				enr	0° + 2°	scale		size		A	213
				chr	JULIA WANG 09/06/10	1:1		dwg no		51940-367	
				appd	JULIA WANG 09/06/10			sheet		1 of 4	
					PM ZHENG 09/06/10			cage code		22526	
					JOSEPH HSIA 09/06/10						
sheet index	revision sheet	A	A	A	A						
		1	2	3	4						

Pro/E

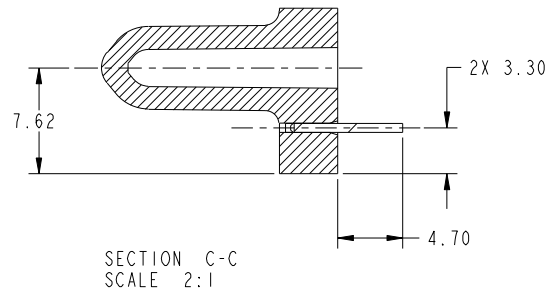
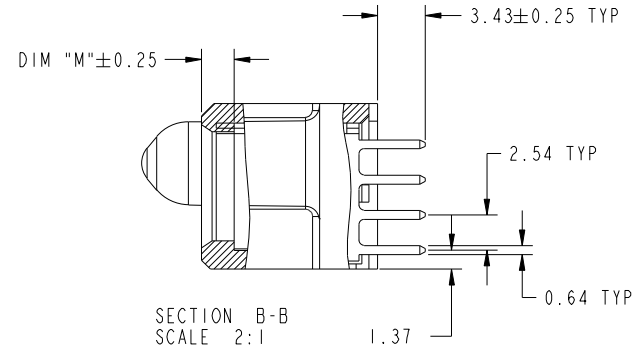
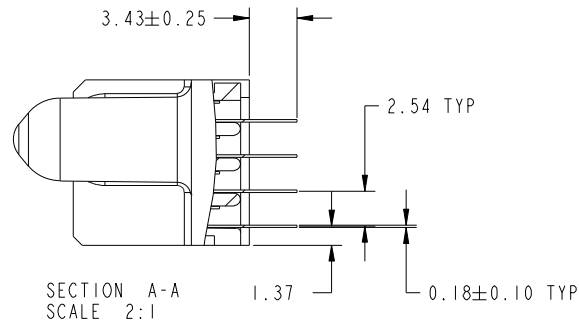
cage code 22526

Tous droits strictement reserves. Reproduction ou communication a des tiers interdite sous quelque forme que ce soit sans autorisation écrite du propriétaire. Propriete de c FCI. Droits de reproduction FCI.



All rights strictly reserved. Reproduction or issue to third parties in any form whatever is not permitted without written authority from the proprietor. Property of FCI. Copyright FCI.

PRODUCT NUMBER  
51940-367\_  
NOTE: 3



mat'l code				tolerances unless otherwise specified		CUSTOMER		FCI	
ltr	ecn no.	dr	date	linear	0.X ±0.5	COPY		www.fciconnect.com	
A					0.XX ±0.25	projection		title	
				angles	0.XXX ±0.1			8S + 3ACP VERTICAL SOLDER RECEPT	
				dr	0° ±2°			product family PwrBlade code	
				enr	JULIA WANG 09/06/10	scale		size	
				chr	JULIA WANG 09/06/10	1:1		dwg no	
				appd	PM ZHENG 09/06/10			A 51940-367	
					JOSEPH HSIA 09/06/10			sheet	
sheet index		revision sheet						2 of 4	

cage code 22526

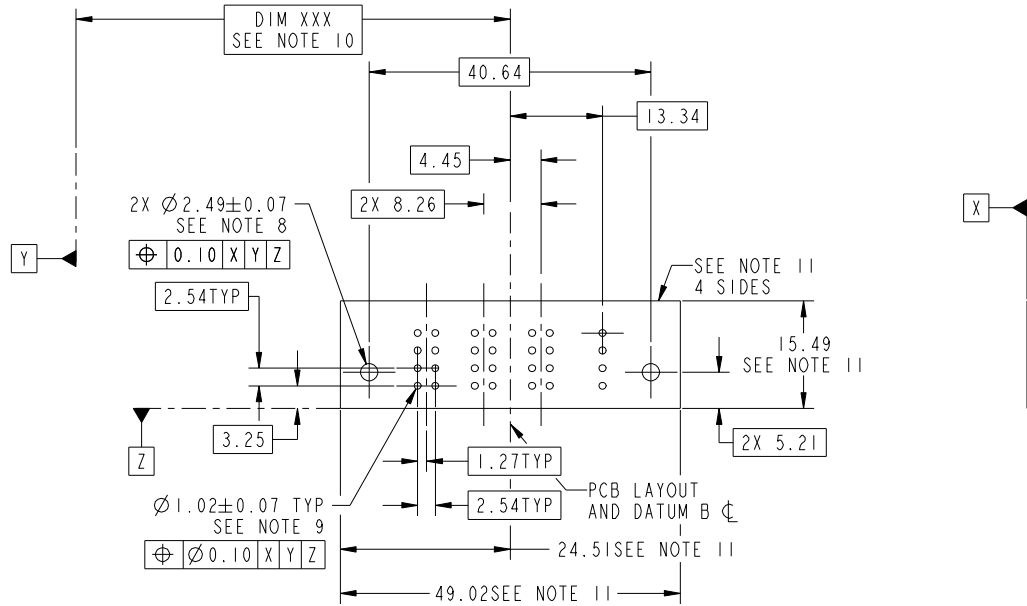
Pro/E

Tous droits strictement reserves. Reproduction ou communication a des tiers interdite sous quelque forme que ce soit sans autorisation écrite du propriétaire. Propriete de c FCI. Droits de reproduction FCI.

All rights strictly reserved. Reproduction or issue to third parties in any form whatever is not permitted without written authority from the proprietor. Property of FCI. Copyright FCI.



PRODUCT NUMBER  
51940-367\_\_  
NOTE: 3



RECOMMENDED PCB LAYOUT

mat'l code				tolerances unless otherwise specified		CUSTOMER		FCI	
ltr	ecn no.	dr	date	linear	0.X ± 0.5	COPY		www.fciconnect.com	
A					0.XX ± 0.25	projection		title	
				angles	0.XXX ± 0.1			8S + 3ACP VERTICAL SOLDER RECEPT	
				dr	0° ± 2°			product family	PwrBlade
				enr	JULIA WANG 09/06/10	scale		size	code
				chr	JULIA WANG 09/06/10	1:1		dwg no	213
				appd	PM ZHENG 09/06/10			A	51940-367
					JOSEPH HSIA 09/06/10				
sheet index	revision sheet								

cage code 22526

Pro/E

Tous droits strictement reserves. Reproduction ou communication a des tiers interdite sous quelque forme que ce soit sans autorisation écrite du propriétaire. Propriete de c FCI. Droits de reproduction FCI.



All rights strictly reserved. Reproduction or issue to third parties in any form whatever is not permitted without written authority from the proprietor. Property of FCI. Copyright FCI.

PRODUCT NUMBER  
51940-367\_-  
NOTE: 3

NOTES:

1. DIMENSIONS AND TOLERANCES ARE IN ACCORDANCE WITH ASME Y14.5M, 1994 UNLESS OTHERWISE SPECIFIED.

CONNECTOR NOTES:

- 2 HOUSING MATERIAL: UL 94 V-0 GLASS FILLED HIGH-TEMP THERMOPLASTIC  
POWER CONTACT MATERIAL: COPPER ALLOY  
SIGNAL PIN MATERIAL: COPPER ALLOY
  - 3. SEE ITEM 5 & 6 IN PRINT 10064183 FOR PLATING SPEC OF 51940-367 AND 51940-367LF RESPECTIVELY.
  - 4 MANUFACTURER'S NAME, DATE CODE AND OPTIONAL P/N TO APPEAR ON THIS SURFACE. THE P/N CAN BE OMITTED IF THERE IS NOT ENOUGH SPACE ON THIS SURFACE.
  - 5. PRODUCT SPECIFICATION GS-12-149.  
APPLICATION SPECIFICATION BUS-20-067.
  - 6. PACKAGED IN TRAYS.
- PCB NOTES:
- 7. ALL HOLE DIAMETERS ARE FINISHED HOLE SIZE.
  - 8 MOUNTING HOLES, WHERE APPLICABLE, ARE UNPLATED.
  - 9  $\varnothing 1.151 \pm 0.025$  DRILLED HOLES PLATED WITH  
0.008 MIN SnPb OR Sn OVER 0.03  
TO 0.08 Cu PLATING TO ACHIEVE  
 $\varnothing 1.02 \pm 0.07$  HOLE.
  - 10 "DIM XXX" TO BE DETERMINED BY THE CUSTOMER.
  - 11 CONNECTOR KEEP-OUT ZONE.
  - 12. THE VOID CORING IN BETWEEN POWER MODULES, SIGNAL MODULES AND END MODULES ARE OPTIONAL AND THE SHAPE MAY BE DIFFERENT FOR OPTIMIZE THE MOLDING PROCESS. THE VOID CORING WILL NOT EFFECT TO PRODUCT FUNCTION.

mat'l code				tolerances unless otherwise specified		CUSTOMER		FCI		www.fciconnect.com					
ltr	ecn no.	dr	date	linear	0.X ± 0.5	COPY									
A					0.XX ± 0.25	projection						title		8S + 3ACP	
				angles	0.XXX ± 0.1							VERTICAL SOLDER RECEPT		product family PwrBlade code 213	
				dr	JULIA WANG 09/06/10	MIM		size		dwg no 51940-367 sheet 4 of 4					
				enr	JULIA WANG 09/06/10	scale		A							
				chr	PM ZHENG 09/06/10	1:1									
				appd	JOSEPH HSIA 09/06/10										
sheet index	revision sheet														

cage code 22526

Pro/E