

LC DUPLEX PC MULTIMODE ADAPTOR  
 ZIRCONIA ALIGNMENT SLEEVE

 Packaging  
 100

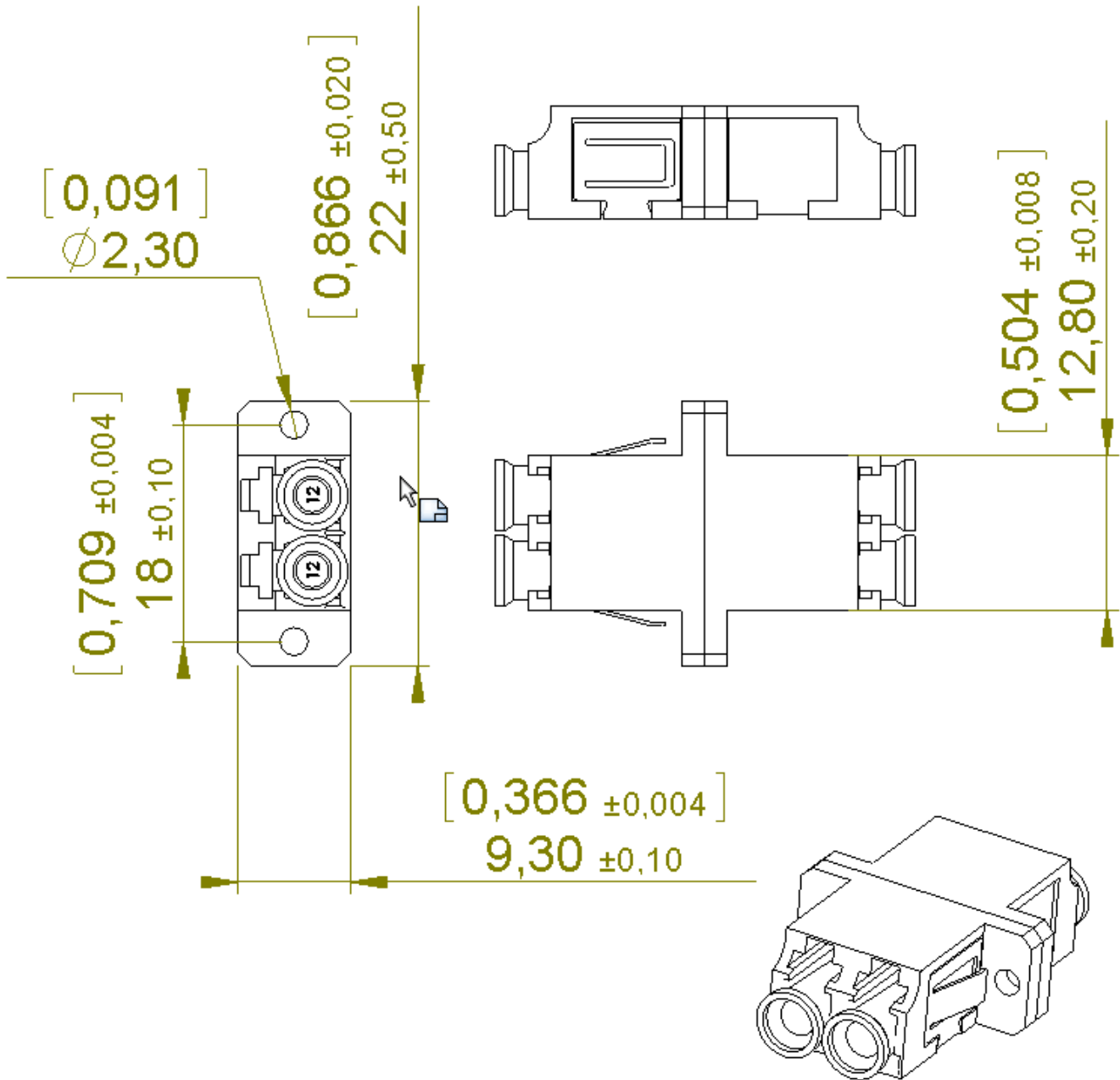
 Series  
 LC

 Issue  
 04/02/2011

 Page  
 1 / 2

Adaptor : color AQUA

Duplex



Original dimensions in mm [inch]

LC DUPLEX PC MULTIMODE ADAPTOR  
 ZIRCONIA ALIGNMENT SLEEVE

 Packaging  
 100

 Series  
 LC

 Issue  
 04/02/2011

 Page  
 2 / 2

Adaptor : color AQUA

Duplex

### GENERAL

- TYPE**
IEC 61754-20 (LC)  
RJ-45 latching system  
Receptacle color : AQUA
  
- MOUNTING**
Snap-in mounting  
Max. panel thickness 1.7 mm
  
- ALIGNMENT SLEEVE**
Zirconia

### CHARACTERISTICS (Depending on fibre or cable construction)

- MATERIAL**
Plastic molded :
Material in accordance with TELCORDIA GR-326 CORE  
Inflammability V0 (UL 94)
  
- MECHANICAL**
Durability
200 cycles
  
- ENVIRONMENTAL**
Storage temperature range
-40 °C to +85 °C  
Operating temperature range
-40 °C to +70 °C

*(Performance and specification : see document GEN - F727 001)*