

5

4

3

2

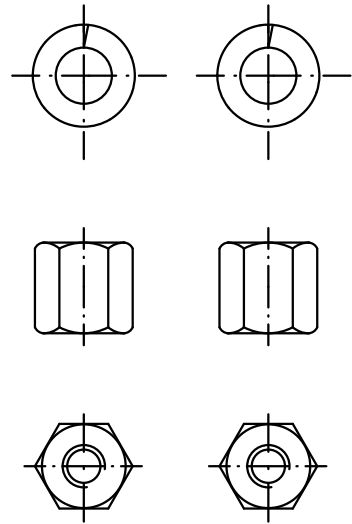
1

D

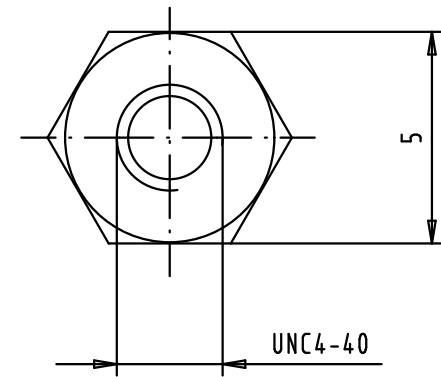
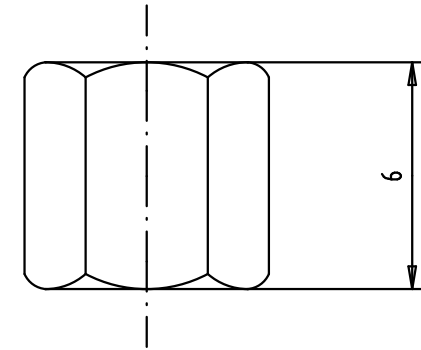
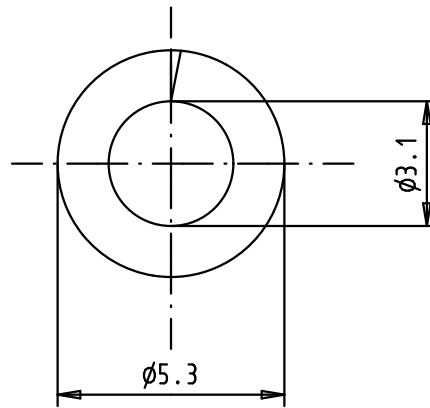
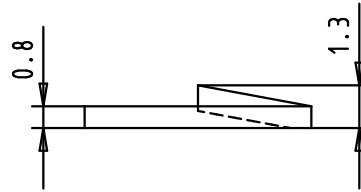
C

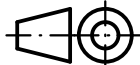

B

A



PAIR



				Det.	22/11/02	Name	S.H.	 All Dim. in mm Orig. Size DIN A 4	Hex. Extender Include washer "pair"	Maßstab/ Scale
			Insp.	21/04/11	JB					
			Stand.							
EC 03145	21/04/11	SD	HARTING ELEKTRONIK				TB 09 67 001 9985		Blatt/ Page	
31362	22/11/02	S.H.	F-95972 Paris							
Mod.	Det.	Name					Sub.			