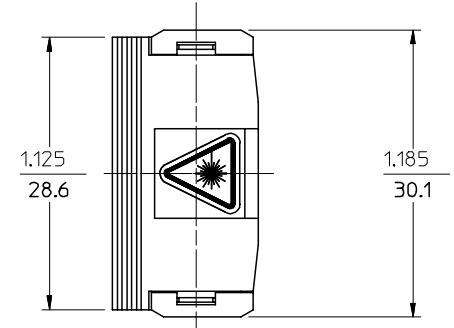
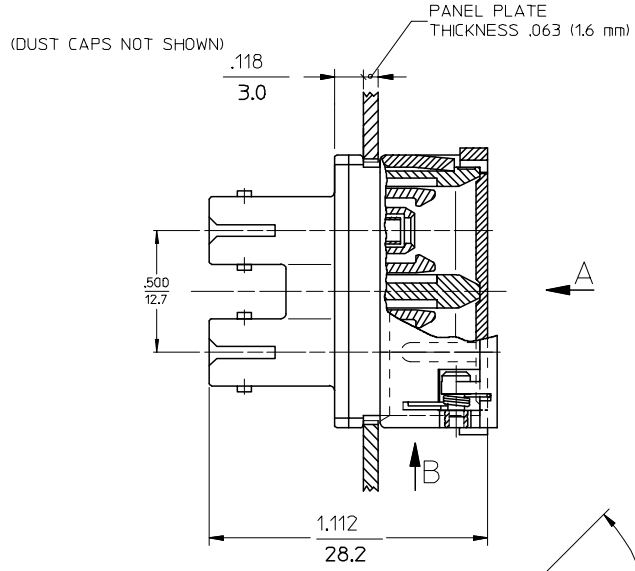
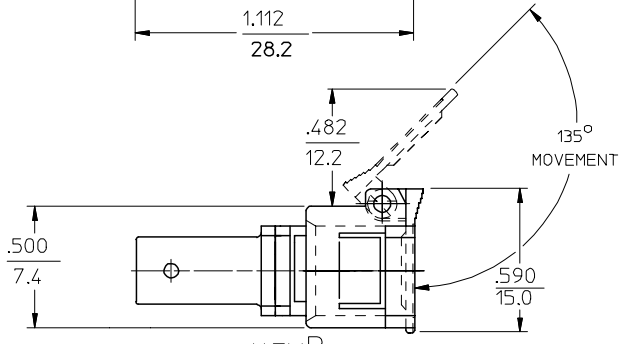


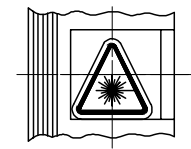
P/N OF ADAPTER	MATERIAL OF SLEEVE	TYPE	COLOR
106166-1600	ZR	SINGLE MODE	BLUE
106167-1600	PHOSPHOR BRONZE		
106166-1610	ZR	MULTIMODE	BEIGE
106167-1610	PHOSPHOR BRONZE		
106166-1630	ZR		
106167-1630	PHOSPHOR BRONZE		
106167-1620	ZR		AQUA



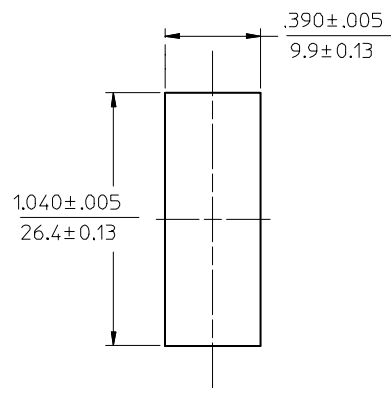
VIEW A
VARIATION 2
FOR LABEL INSTALLATION



VIEW B



VIEW A
VARIATION 1
FOR LABEL INSTALLATION



RECOMMENDED MOUNTING PATTERN (SHIELD NOT SHOWN)

- NOTES:
 1. LABEL MUST BE INSTALLED AND ORIENTED BY CUSTOMER. (SEE VIEW A)
 2. DUST CAPS ARE NOT SHOWN BUT INCLUDED.

ENTER DESCRIPTION EC NO: MF2006-0237 DRW: NPG/BLIN 2005/11/29 CHKD: 2005/11/29 APPR: IGUMIN 2005/11/29 A	QUALITY SYMBOLS ▽=0 ▽=0	GENERAL TOLERANCES (UNLESS SPECIFIED)		DIMENSION STYLE IN/MM		SCALE 4:1	DESIGN UNITS INCH	THIRD ANGLE PROJECTION	
		4 PLACES ± --- ± ---	3 PLACES ± --- ± ---	DRAWN BY RPACIFICI	DATE 2005/10/11	TITLE SC-ST DUPLEX ADAPTER WITH SHIELD			
		2 PLACES ± --- ± ---	1 PLACE ± --- ± ---	CHECKED BY	DATE				
		ANGULAR ±1/2°		APPROVED BY	DATE	MOLEX INCORPORATED			
DRAFT WHERE APPLICABLE MUST REMAIN WITHIN DIMENSIONS		MATERIAL NO. SEE TABLE	DOCUMENT NO. SD-10616X-16X0	SHEET NO. 1 OF 1					
		SIZE B	THIS DRAWING CONTAINS INFORMATION THAT IS PROPRIETARY TO MOLEX INCORPORATED AND SHOULD NOT BE USED WITHOUT WRITTEN PERMISSION						